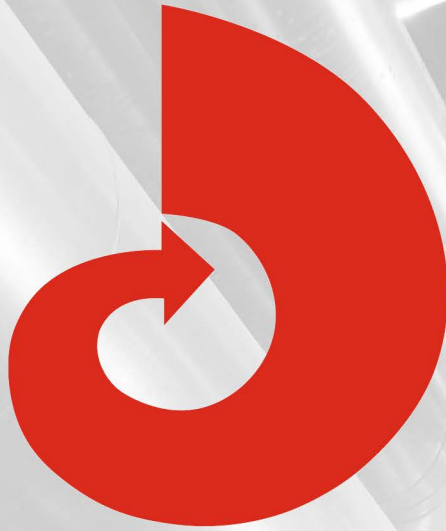


# FINE CONTROLS (UK) LTD



Fine Controls have been supplying process controls & instrumentation equipment since 1994, & now serves an ever expanding customer base, both in the UK & globally.

We offer a full range of valve & instrumentation products & services, with our product range representing leading technologies & brands:

**Flow:** Flow Meters & Transmitters, Flow Switches, Flow Control Valves & Batch Control Systems

**Temperature:** Temperature Probes & Thermowells, Temperature transmitters, Temperature Regulators & Temperature Displays

**Level:** Level Transmitters & Switches

**Pressure:** Pressure Gauges & Transmitters, Precision & High Pressure Regulators & I-P Converters, Volume boosters.

**Precision Pneumatics:** Pressure Regulators, I-P Converters, Volume Boosters, Vacuum Regulators

**Valves:** Solenoid & Pneumatic Valves, Control Valves & Positioners, Actuated Ball, Globe or Diaphragm Valves & Isolation Valves

**Services:** Repair, Calibration, Panel Build, System Design & Commissioning

A rotork® Brand  
**FAIRCHILD**



**bürkert**



**SIEMENS**



**alcon**  
SOLENOID VALVES

A rotork® Brand



**MIDLAND-ACS**  
A rotork® Brand



**Honeywell**



**Bourdon**  
Baumer Group



**SOLDO**  
CONTROLS

A rotork® Brand



Fine Controls (UK) LTD, Bassendale Road, Croft Business Park,  
Bromborough, Wirral, CH62 3QL UK  
Tel: 0151 343 9966  
Email: sales@finecontrols.com

**UM91-HF**  
 Rev 6  
 July 2012  
 Supersedes Rev 5

## Model 91-HF Filter Regulator



### INTRODUCTION

The Model 91-HF Filter Regulator removes impurities from an air supply and delivers an accurate output pressure.

### SPECIFICATIONS

Port Size	(In, Out and Gauge) ¼" NPT
Output Range	0-120 psig (0-800 kPa)
Max Supply Pressure	150 psig (1034 kPa)
Mounting	Pipe or Through Body
Flow Capacity	22 SCFM (33.0 m <sup>3</sup> /hr) at 100 psig (700 kPa) supply with 20 psig (140 kPa) output
Exhaust Capacity	0.1 SCFM (0.17 m <sup>3</sup> /hr) with downstream pressure 5 psig (35 kPa) above set point
Sensitivity	1" (2.5 cm) of water
Air Consumption	Less than 5 SCFM (0.17 m <sup>3</sup> /hr)
Effect of Supply Pressure Variation	Less than 0.2 psig (1.4 kPa) for 25 psi (170 kPa) change
Ambient Temp Limits	0° to 160°F (-18° to 71°C)
Weight	1.6 lb (725 g)

### MATERIALS OF CONSTRUCTION

Body	Diecast Aluminum Alloy, Irridite and Baked Epoxy Finish
Filter	3 Micron Phenolic Impregnated Cellulose
Diaphragm	Nitrile Elastomer and Nylon Fabric
Valve Seat Plug	Nitrile Elastomer
Additional Materials	Brass, Zinc Plated Steel, Acetal

### INSTALLATION

Install the regulator as close as possible to the instrument or tool it is to service. For best filter drainage, orient the drain valve so that it is at the lowest point on the drip-well housing. The words "IN" and "OUT" are cast into the body to indicate the direction of flow. See Specifications for port size. Installation dimensions are shown on the next page.



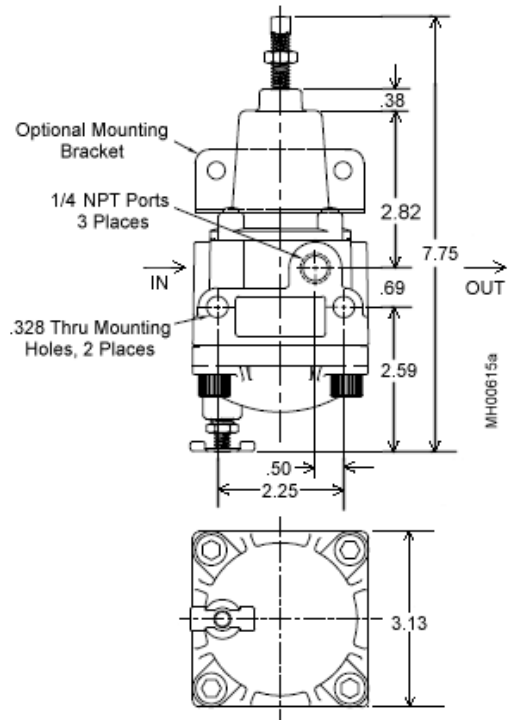
As with any pneumatic device, excessive pressure will eventually cause one or more components to rupture. Such an event could cause death or serious injury. To avoid this possibility, the supply (IN) pressure must not exceed 150 psig.

**IMPORTANT**

The Model 91-HF filter regulator has low capacity internal relief, which provides very limited downstream over-pressure protection. To avoid exceeding the output pressure limits in service, a pressure relieving or pressure-limiting device should be provided.

**INSTRUMENT AIR REQUIREMENTS**

This product is intended for use in industrial compressed-air systems only. Do not use this product where pressures and temperatures can exceed those listed under Specifications.



**Installation Dimensions**

**CAUTION**



Use of process fluids other than instrument air is not recommended. No claim is made as to the suitability of this product for use with other process fluids, such as hazardous gases, except as listed on an appropriate certificate. Non-approved instruments are suitable for use with instrument air only. Optional features and modifications such as tapped exhaust do not imply suitability for use with hazardous gases except as listed on an approval certificate.

**CAUTION**



Synthetic compressor lubricants in the instrument air may cause deterioration of some components resulting in instrument failure. See materials of construction above.

The requirements for a quality instrument air supply can be found in the Instrument Society of America's "Quality Standard for Instrument Air" (ISA-S7.3). Basically, this standard calls for the following:

**Particle Size** — The maximum particle size in the air stream at the instrument should be no larger than 3 microns.

**Dew Point** — The dew point, at line pressure, should be at least 10°C (18°F) below the minimum temperature to which any part of the instrument air system is exposed at any season of the year. Under no circumstances should the dew point, at line pressure, exceed 2°C (35.6°F).

**Oil Content** — The maximum total oil or hydrocarbon content, exclusive of non-condensable, should not exceed 1 ppm under normal operating conditions.

## OPERATION

Prior to turning on supply air, back off the adjusting screw until there is no compression of the range spring; refer to dimension and assembly drawings as needed. After turning the supply pressure on, turn the adjusting screw clockwise to increase outlet pressure.

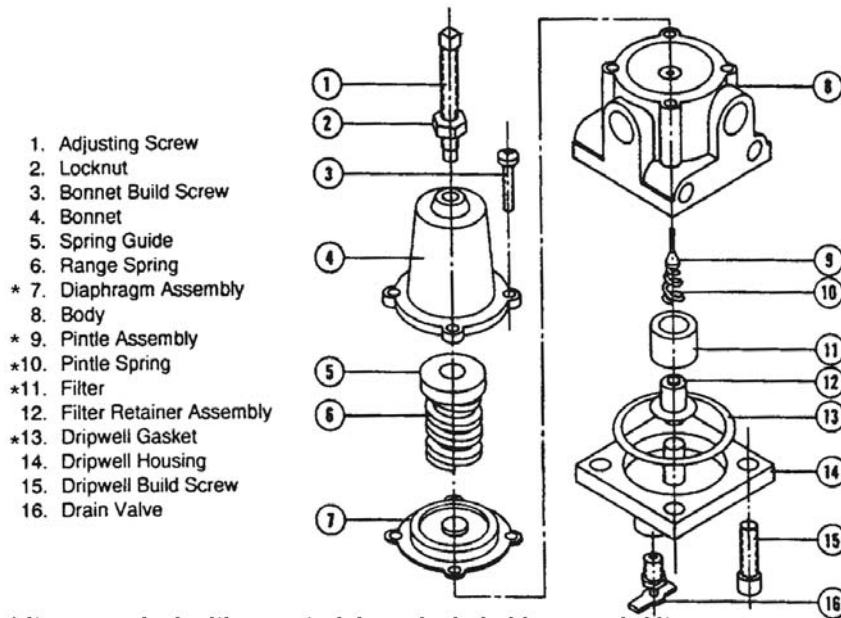
## MAINTENANCE

- 1) To remove condensate, slowly open the drain valve and bleed accumulated liquid.
- 2) To clean the filter element:
  - a. Shut off supply air.



Components can be ejected with great force if the instrument is disassembled while pressure is applied. To avoid the risk of death or serious injury, always turn off and vent supply pressure and any downstream pressure source when disassembling the instrument.

- b. Drain condensate.
- c. Remove four corner bolts from the bottom of the unit. Refer to the Assembly Drawing as needed.
- d. Remove drip-well housing and filter.
- e. Clean parts and reassemble in reverse order.



\* Items marked with an asterisk are included in a repair kit.

<u>Repair Kits:</u>	<u>Part Number:</u>
Spare Parts	10963-202
Filters (4)	10963-201

Assembly Drawing

- 3) To install replacement parts:
  - a. Order repair kits; see the assembly drawing for part numbers.
  - b. Shut off supply air. Back out the adjusting screw.
  - c. Remove four corner bolts from bottom of unit and four screws on the top. Remove all parts.
  - d. Replace all parts that show excessive wear.
  - e. Clean all parts and replace in the reverse order.

## CUSTOMER/PRODUCT SUPPORT

For support and the location of your local Siemens representative, refer to the table below for the URL of the Process Instrumentation (PI) portion of the Siemens public Internet site. Once at the site, click **Support** in the right column and then **Product Support**. Next select the type of support desired: sales, technical (see the table below), documentation, or software.

Online Support Request	<a href="http://www.siemens.com/automation/support-request">http://www.siemens.com/automation/support-request</a>
Technical Support	1-800-333-7421; 8 a.m. to 4:45 p.m. eastern time, Monday through Friday (except holidays)
Customer Service & Returns	1-800-365-8766 (warranty and non-warranty)
Public Internet Site	<a href="http://www.usa.siemens.com/pi">http://www.usa.siemens.com/pi</a>
Technical Publications in PDF	Click the above link to go to the Siemens Internet site and then click <b>Process Instrumentation</b> . In the column to the right, click <b>Support &gt; Manuals</b> . In the column to the left, select the product line (e.g. Pressure or Temperature or Controllers) to open navigation and search panes. Note: Navigation may change as the site evolves.

### Warranty

The sales contract contains the entire obligation of Siemens. The warranty contained in the contract between the parties is the sole warranty of Siemens. Any statements continued herein do not create new warranties or modify the existing warranty.

*All product designations may be trademarks or product names of Siemens Industry, Inc. or other supplier companies whose use by third parties for their own purposes could violate the rights of the owners.*

*Siemens Industry, Inc. assumes no liability for errors or omissions in this document or for the application and use of information in this document. The information herein is subject to change without notice.*

*Procedures in this document have been reviewed for compliance with applicable approval agency requirements and are considered sound practice. Neither Siemens Industry, Inc. nor these agencies are responsible for product uses not included in the approval certification(s) or for repairs or modifications made by the user.*

