

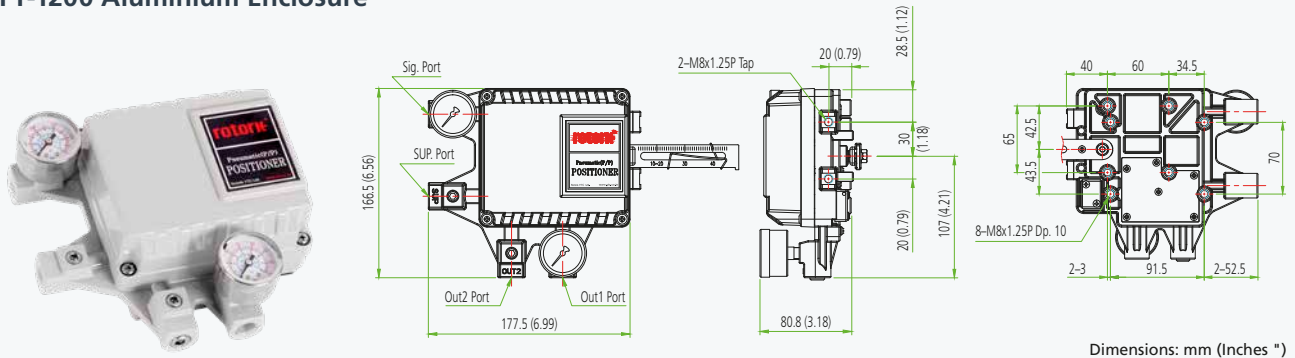
Pneumatic-Pneumatic Positioner YT-1200

Design features

- **Simple zero and span adjustment.** Internal hand dials and locking screws for 0.1 to 1 MPa range adjustments.
- **Reverse and direct acting settings.** Full and ½ split range setting by simple adjustment.
- **High vibration resistant.** No resonance between 5 to 200 Hz.
- **Auto / manual switch.** Internal adjustment with lock screw safety.



YT-1200 Aluminium Enclosure



Dimensions: mm (Inches *)

Item Type	YT-1200L & YT-1200R	
	Single	Double
Input Signal	0.02 to 0.1 MPa / 0.2 to 1 bar / 3 to 14.5 psi	
Supply Pressure	0.14 to 0.7 MPa / 1.4 to 7 bar / 20 to 102 psi	
Stroke	Linear Type	10 to 150 mm (0.4 to 6")
	Rotary Type	55 to 100°
Air Connection	Rc ¼, ¼ NPT	
Gauge Connection	Rc 1/8, 1/8 NPT	
Ingress Protection	IP66	
Linearity	Linear Type	± 1% F.S.
	Rotary Type	± 2% F.S.
Hysteresis	±1% F.S.	
Sensitivity	Linear Type	± 0.2% F.S.
	Rotary Type	± 0.5% F.S.
Repeatability	± 0.5% F.S.	
Air Consumption	2.5 LPM (sup = 0.14 MPa) 0.08 CFM (sup = 20 psi)	
Flow Capacity	80 LPM (sup = 0.14 MPa) 2.83 CFM (sup = 20 psi)	
Material	Aluminium Diecasting	
Weight	1.7 kg (3.1 lb)	

Product Code

YT-1200R - S - 1 - 1 - 2 - S - (0)

Model

YT-1200L = Linear Positioner
YT-1200R = Rotary Positioner

Acting Type

S = Single
D = Double

Lever Type

Linear	Rotary
1 = 10 to 40 mm	1 = M6 x 34L
2 = 30 to 70 mm	2 = M6 x 63L
3 = 60 to 100 mm	3 = M8 x 34L
4 = 100 to 150 mm	4 = M8 x 63L
	5 = NAMUR

Orifice Type

1 = Ø1
2 = Ø2
3 = None

Air Connection

1 = Rc ¼
2 = ¼ NPT

Operating Temp.

S = -20 to +70 °C (-4 to +158 °F)
H = -20 to +120 °C (-4 to +248 °F)
L = -40 to +70 °C (-40 to +158 °F)

Option (Rotary only)

0 = None
1 = Dome Cover
2 = 4-20 mA feedback - SPTM-5V (Non-explosion)¹
3 = 4-20 mA feedback - SPTM-6V (Flameproof enclosure)¹
4 = Limit switch – YT-850 (Non-explosion)²
5 = Limit switch – YT-870 (Flameproof enclosure)²
6 = 4-20 mA feedback + Limit Switch – YT-870 (Flameproof enclosure)²

Notes:

1. Only S, L of Operating Temperature is available
2. Only S of Operating Temperature is available