

FINE CONTROLS (UK) LTD



Fine Controls have been supplying process controls & instrumentation equipment since 1994, & now serves an ever expanding customer base, both in the UK & globally.

We offer a full range of valve & instrumentation products & services, with our product range representing leading technologies & brands:

Flow: Flow Meters & Transmitters, Flow Switches, Flow Control Valves & Batch Control Systems

Temperature: Temperature Probes & Thermowells, Temperature transmitters, Temperature Regulators & Temperature Displays

Level: Level Transmitters & Switches

Pressure: Pressure Gauges & Transmitters, Precision & High Pressure Regulators & I-P Converters, Volume boosters.

Precision Pneumatics: Pressure Regulators, I-P Converters, Volume Boosters, Vacuum Regulators

Valves: Solenoid & Pneumatic Valves, Control Valves & Positioners, Actuated Ball, Globe or Diaphragm Valves & Isolation Valves

Services: Repair, Calibration, Panel Build, System Design & Commissioning

A rotork® Brand
FAIRCHILD



bürkert



SIEMENS



alcon
SOLENOID VALVES

A rotork® Brand



MIDLAND-ACS
A rotork® Brand



Honeywell



Bourdon
Baumer Group



SOLDO
CONTROLS

A rotork® Brand



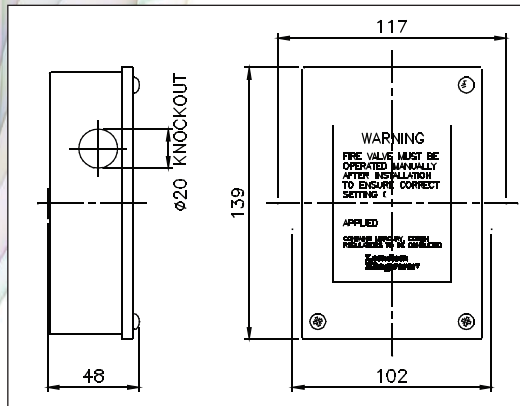
Fine Controls (UK) LTD, Bassendale Road, Croft Business Park,
Bromborough, Wirral, CH62 3QL UK
Tel: 0151 343 9966
Email: sales@finecontrols.com

FREE FALL FIRE VALVE MERCURY SWITCH

The Free Fall Fire Valve Mercury Switch operates in conjunction with our free fall fire valves to set off an alarm, stop a burner or perform other operations in the event of a fire outbreak in the boiler house.

The device consists quite simply of a mercury switch mounted on the fire valve lever which is connected by electric cable to the equipment to be operated. It can be arranged to make or break a single connection or to make one connection and break another – for single or 3 phase supply – or even to utilise 3-phase on one side and single phase on the other. The three connections on the three-phase version could be used to control three single-phase devices. Both the single and 3 phase versions remain closed while the valve is in its' normal state (one contact on the single phase, 3 on the 3-phase) and a separate normally open contact that is suitable for sounding an alarm as it closes if the valve lever drops.

Dimensions



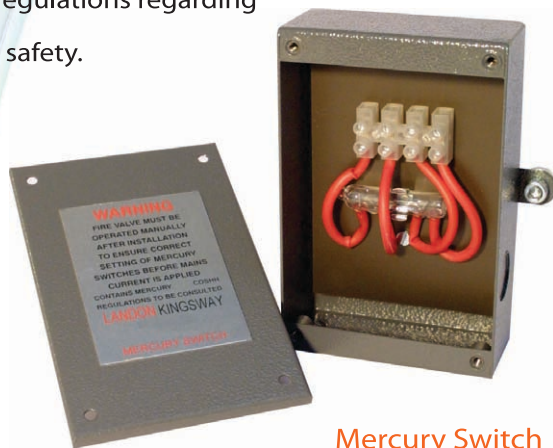
SAFETY INFORMATION

This device contains mercury inside a sealed glass vessel. Consult

COSHH regulations regarding mercury safety.

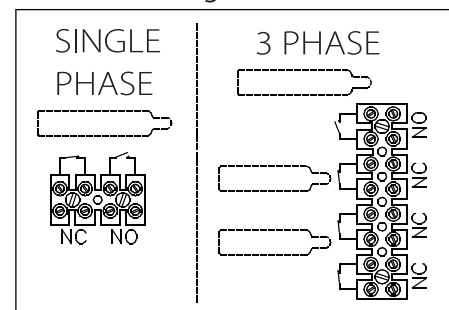


Free Fall Fire Valve with Mercury Switch



Mercury Switch

Connection Diagram



SPARES FOR FREE FALL FIRE VALVE

Number	Spares	Option	Part Number
1	Stainless Steel Cable	30ft	10015708x1
		100ft	10015709x1
		500ft	10015710x1
		1000ft	10015711x1
		2500ft	10015712x1
2	Pulley with open eye wood thread	N/A	10903604x2
3	Pulley with open eye 1/4" B.S.P thread	N/A	10903604x1
4	Cable Connector		10004501x5
5	Fusible Links	160F	10902801x1
		198F	10902803
		220F	10902805
		260F	10902806
		290F	10902808
		356F	10902810
6	Cable Strainer (Large)	N/A	99009701
7	Tension Spring (Large)	N/A	10034001
8	Wall Anchor Screw Wood Thread	N/A	10030301x1
9	Mind your head notice	N/A	10012101x1
10	Small gun-metal link for all valves (brass slotted)	N/A	10032902x1

