

FINE CONTROLS (UK) LTD



Fine Controls have been supplying process controls & instrumentation equipment since 1994, & now serves an ever expanding customer base, both in the UK & globally.

We offer a full range of valve & instrumentation products & services, with our product range representing leading technologies & brands:

Flow: Flow Meters & Transmitters, Flow Switches, Flow Control Valves & Batch Control Systems

Temperature: Temperature Probes & Thermowells, Temperature transmitters, Temperature Regulators & Temperature Displays

Level: Level Transmitters & Switches

Pressure: Pressure Gauges & Transmitters, Precision & High Pressure Regulators & I-P Converters, Volume boosters.

Precision Pneumatics: Pressure Regulators, I-P Converters, Volume Boosters, Vacuum Regulators

Valves: Solenoid & Pneumatic Valves, Control Valves & Positioners, Actuated Ball, Globe or Diaphragm Valves & Isolation Valves

Services: Repair, Calibration, Panel Build, System Design & Commissioning

A rotork® Brand
FAIRCHILD



bürkert



SIEMENS



alcon
SOLENOID VALVES

A rotork® Brand



MIDLAND-ACS
A rotork® Brand



Honeywell



Bourdon
Baumer Group



SOLDO
CONTROLS

A rotork® Brand



Fine Controls (UK) LTD, Bassendale Road, Croft Business Park,
Bromborough, Wirral, CH62 3QL UK
Tel: 0151 343 9966
Email: sales@finecontrols.com

LOOP POWERED TRIP AMPLIFIERS

SEM1401 AND SEM1402

- 10 YEAR WARRANTY
- LOOP POWERED
- SMALL SIZE/HIGH PACKING DENSITY
- MAINS RATED RELAYS
- SINGLE OR DUAL TRIP
- TRIP STATE LED INDICATION
- ACTIVE HIGH OR LOW



INTRODUCTION

The SEM1401 and SEM1402 are loop powered trip amplifiers designed to accept a (4 to 20) mA signal from a transmitter and to provide a single trip output (SEM1401) or two individual trip outputs (SEM1402) sharing the same common. Utilizing the loop power means that no separate supply is required to power the trip alarms with resulting cost reductions and simplified wiring.

Their small size and the mains line relay contacts make them the ideal choice for many trip alarm applications.

SPECIFICATIONS @ 20 °C

INPUT

Type	Two wire (4 to 20) mA, (50 mA maximum)
Protection	Reverse connection protected
Loop Drop	5 V maximum

OUTPUT

Alarm	HIGH or LOW Active (switch selected)
Contact(s)	SEM1401 single relay with N.O. and N.C. contacts. SEM1402 two single pole relays with N.O. contacts sharing a common connection
Rating	Resistive load 2 A @ 250 VAC/125 VDC 150 W (inductive load) maximum
Indication	Alarm LED(s) on module front face
Set point	(0 to 100) % multi-turn trim potentiometer(s) access on module front face
Repeatability	± 0.2 %
Hysteresis	SEM1401 Adjustable (0.1 to 5) % single turn trim pot on module front face. SEM1402 Fixed 0.5 %
Delay	0.5 s fixed delay
Failure Mode	On loss of signal: HIGH Alarm...No alarm condition, LOW Alarm ...Alarm condition (i.e. Alarm operates as if signal has fallen to -25 % or 0 mA)

GENERAL SPECIFICATION

Breakdown Isolation	3000 VAC rms between contacts and input 1000 VAC rms between contacts
Ambient Operating	(0 to 50) °C (10 to 95) % RH non-condensing
Connections	Captive clamp screws
Cable Size	4 mm ² solid/2.5 mm ² stranded
Case Material	Grey polyamide
Flammability	To UL94-VO VDE 0304 Part 3 level IIIA

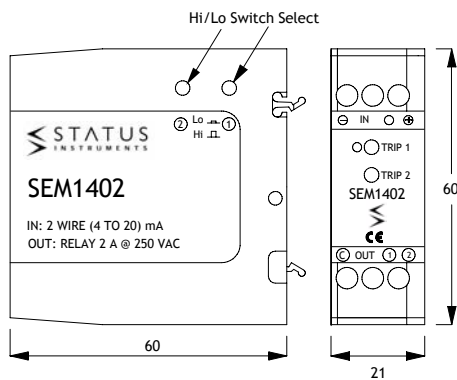
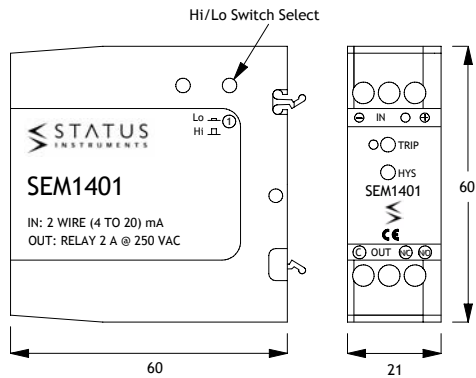
APPROVALS

EMC	BS EN61326
-----	------------

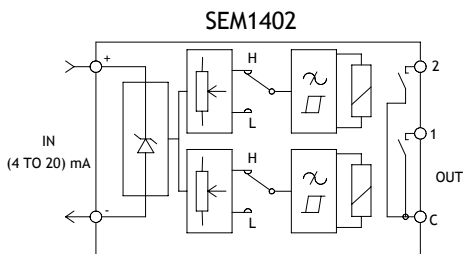
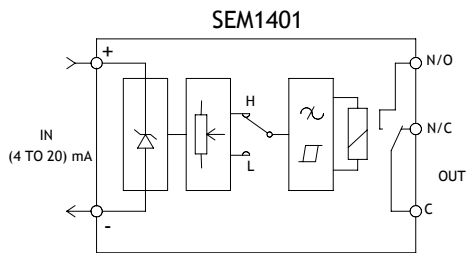
LOOP POWERED TRIP AMPLIFIERS

MECHANICAL DETAILS

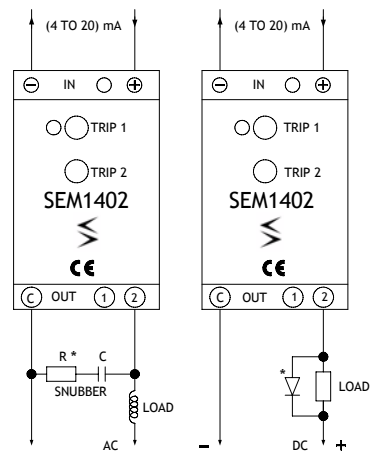
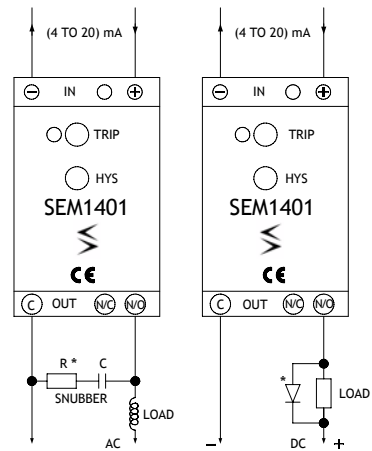
(All dimensions in mm)



BLOCK DIAGRAMS



ELECTRICAL DETAILS



*NOTE: Snubber circuits recommended for inductive loads.

ORDER CODE

SEM1401 Single trip change-over contacts

SEM1402 Dual trip N.O contacts

ALSO AVAILABLE:

DIN RAIL PRODUCTS

SEM1000 SERIES Process Signal Isolators
 SEM1100 Mains Powered Process Isolator/Convertor
 SEM1300 24 VDC 250 mA Power Supply (90 to 250) VAC input
 SEM1500 Pt100 & T/C Signal Conditioners

CHECK WITH SALES OFFICE FOR FULL DETAILS