

Temperature Measurement

Transmitters for mounting in sensor head

SITRANS TH400
fieldbus transmitters

Overview



SITRANS TH400 fieldbus transmitters

Versions:

- For FOUNDATION fieldbus
- For PROFIBUS PA

The SITRANS TH400 temperature transmitter is a small field bus transmitter for mounting in the connection head of form B. Extensive functionality enables the temperature transmitter to be precisely adapted to the plant's requirements. Operation is very simple in spite of the numerous setting options. Thanks to its universal concept it can be used in all industries and is easy to integrate in the context of Totally Integrated Automation applications.

Transmitters of the "intrinsically safe" type of protection can be installed within potentially explosive atmospheres. The devices comply with the Directive 94/9/EC (ATEX), as well as FM and CSA regulations.

Installing SITRANS TH400 in temperature sensors turns them into complete, bus-capable measuring points; compact - and in a single device.

Application

- Linearized temperature measurement with resistance thermometers or thermal elements
- Differential, mean-value or redundant temperature measurement with resistance thermometers or thermal elements
- Linear resistance and bipolar millivolt measurements
- Differential, mean-value or redundant resistance and bipolar millivolt measurements

Function

Features

General

- Mounting in connection head, type B, to DIN 43729, or larger
- Polarity-neutral bus connection
- 24-bit analog-digital converter for high resolution
- Electrically isolated
- Intrinsically-safe version for use in potentially explosive areas
- Special characteristic
- Sensor redundancy

with PROFIBUS PA communication

- Function blocks: 2 x analog

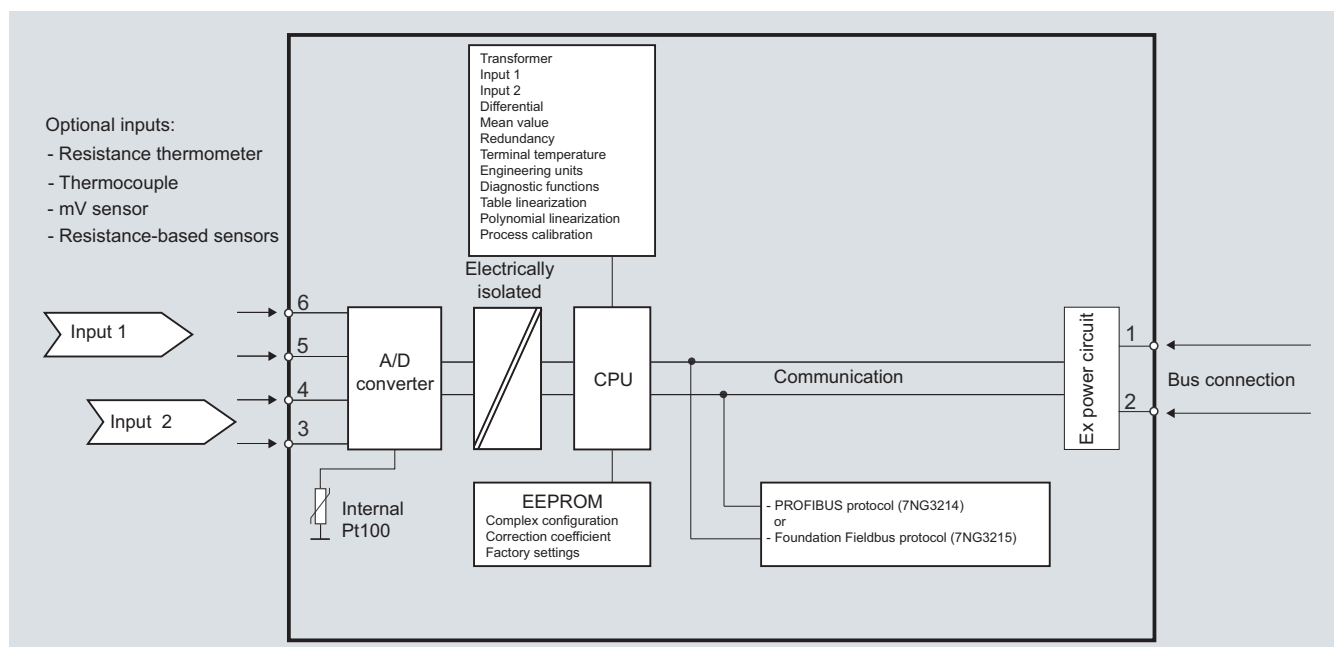
with FOUNDATION fieldbus communication

- Function blocks: 2 x analog and 1 x PID
- Functionality: Basic or LAS

Mode of operation

The following function diagram explains the mode of operation of the transmitter.

The only difference between the two versions of the SITRANS TH400 (7NG3214-... and 7NG3215-...) is the type of fieldbus protocol used (PROFIBUS PA or FOUNDATION fieldbus).



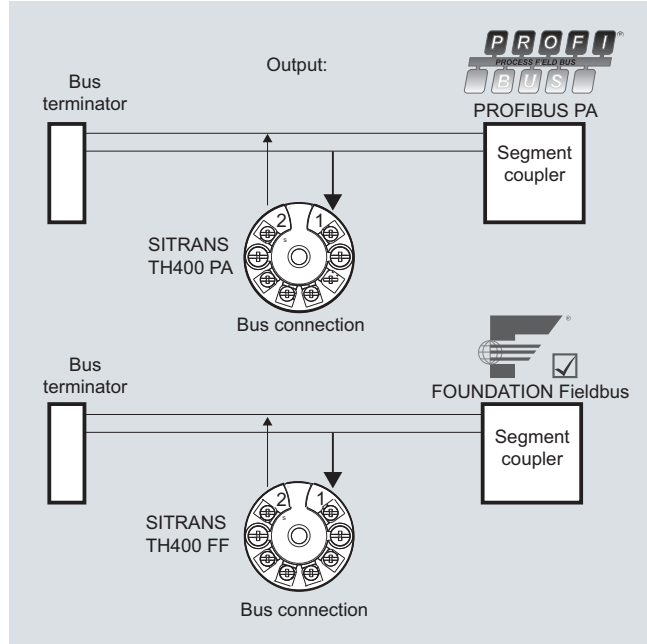
SITRANS TH400, function diagram

Temperature Measurement

Transmitters for mounting in sensor head

SITRANS TH400 fieldbus transmitters

System communication



SITRANS TH400, communication interface

Technical specifications

Input

Analog-to-digital conversion

- Measurement rate < 50 ms
- Resolution 24-bit

Resistance thermometer

Pt25 ... Pt1000 to IEC 60751/JIS C 1604

- Measuring range -200 ... +850 °C (-328 ... +1562 °F)

Ni25 ... Ni1000 to DIN 43760

- Measuring range -60 ... +250 °C (-76 ... +482 °F)

Cu10 ... Cu1000, $\alpha = 0.00427$

- Measuring range -50 ... +200 °C (-58 ... +392 °F)

Line resistance per sensor cable

Max. 50 Ω

Sensor current

Nominal 0.2 mA

Sensor fault detection

- Sensor break detection Yes
- Sensor short-circuit detection Yes, < 15 Ω

Resistance-based sensors

Measuring range 0 Ω ... 10 k Ω

Line resistance per sensor cable

Max. 50 Ω

Sensor current

Nominal 0.2 mA

Sensor fault detection

- Sensor break detection Yes
- Sensor short-circuit detection Yes, < 15 Ω

Thermocouple

to IEC 584

- Type B 400 ... +1820 °C (752 ... 3308 °F)
- Type E -100 ... +1000 °C (-148 ... +1832 °F)
- Type J -100 ... +1000 °C (-148 ... +1832 °F)
- Type K -100 ... +1200 °C (-148 ... +2192 °F)
- Type N -180 ... +1300 °C (-292 ... +2372 °F)
- Type R -50 ... +1760 °C (-58 ... +3200 °F)
- Type S -50 ... +1760 °C (-58 ... +3200 °F)
- Type T -200 ... +400 °C (-328 ... +752 °F)

to DIN 43710

- Type L -200 ... +900 °C (-328 ... +1652 °F)
- Type U -200 ... +600 °C (-328 ... +1112 °F)

to ASTM E988-90

- Type W3 0 ... 2300 °C (32 ... +4172 °F)
- Type W5 0 ... 2300 °C (32 ... +4172 °F)

External cold junction compensation -40 ... +135 °C (-40 ... +275 °F)

Sensor fault detection

- Sensor break detection Yes
- Sensor short-circuit detection Yes, < 3 mV
- Sensor current in the event of open-circuit monitoring 4 μ A

mV sensor - voltage input

Measuring range -800 ... +800 mV

Input resistance 10 M Ω

Output

Filter time (programmable) 0 ... 60 s

Update time < 400 ms

Measuring accuracy

Accuracy is defined as the higher value of general values and basic values.

General values

Type of input

Absolute accuracy

Temperature coefficient

All

 $\leq \pm 0.05$ % of the measured value $\leq \pm 0.002$ % of the measured value/°C

Basic values

Type of input

Basic accuracy

Temperature coefficient

Pt100 and Pt1000

 $\leq \pm 0.1$ °C $\leq \pm 0.002$ °C/°C

Ni100

 $\leq \pm 0.15$ °C $\leq \pm 0.002$ °C/°C

Cu10

 $\leq \pm 1.3$ °C $\leq \pm 0.02$ °C/°C

Resistance-based sensors

 $\leq \pm 0.05$ Ω $\leq \pm 0.002$ Ω /°C

Voltage source

 $\leq \pm 10$ μ V $\leq \pm 0.2$ % μ V/°C

Thermocouple, type: E, J, K, L, N, T, U

 $\leq \pm 0.5$ °C $\leq \pm 0.01$ °C/°C

Thermocouple, type: B, R, S, W3, W5

 $\leq \pm 1$ °C $\leq \pm 0.025$ °C/°C

Cold junction compensation

 $\leq \pm 0.5$ °C

Reference conditions

Warming-up time

30 s

Signal-to-noise ratio

Min. 60 dB

Calibration condition

20 ... 28 °C (68 ... 82 °F)

Temperature Measurement

Transmitters for mounting in sensor head

SITRANS TH400
fieldbus transmitters

Conditions of use	
<u>Ambient conditions</u>	
Permissible ambient temperature	-40 ... +85 °C (-40 ... +185 °F)
Permissible storage temperature	-40 ... +85 °C (-40 ... +185 °F)
Relative humidity	≤ 98 %, with condensation
Insulation resistance	
• Test voltage	500 V AC for 60 s
Mechanical testing	
• Vibrations (DIN class B) to	IEC 60068-2-6 and IEC 60068-2-64 4 g/2 ... 100 Hz
<u>Electromagnetic compatibility</u>	
EMC noise voltage influence	< ± 0.1 % of span
Extended EMC noise immunity: NAMUR NE 21, criterion A, Burst	< ± 1 % of span
EMC 2004/108/EC Emission and Noise Immunity to	EN 61326
Construction	
Material	Molded plastic
Weight	55 g (0.12 lb)
Dimensions	See Dimensional drawings
Cross-section of cables	Max. 2.5 mm ² (AWG 13)
Degree of protection	
• Transmitter enclosure	IP40
• Terminal	IP00
Auxiliary power	
Power supply	
• Standard, Ex "nA", Ex "nL", NI	9.0 ... 32 V DC
• ATEX, FM, UL and CSA	9.0 ... 30 V DC
• In FISCO/FNICO installations	9.0 ... 17.5 V DC
Power consumption	< 11 mA
Max. increase in power consumption in the event of a fault	< 7 mA

Certificates and approvals	
Explosion protection ATEX	
EC type test certificate	KEMA 06 ATEX 0264 X
• "Intrinsic safety" type of protection	II 1 G Ex ia IIC T4...T6 II 2(1) G Ex ib[ia] IIC T4...T6 II 1 D Ex iaD
EC type test certificate	KEMA 06 ATEX 0263 X
• Type of protection for "equipment is non-arcing"	II 3 GD Ex nA[nL] IIC T4...T6 II 3 GD Ex nL IIC T4...T6 II 3 GD Ex nA[ic] IIC T4...T6 II 3 GD Ex ic IIC T4...T6
Explosion protection: FM for USA	
• FM approval	FM 3027985
• Degree of protection	<ul style="list-style-type: none"> • IS Class I, Div 1, Groups A, B, C, D T4/T5/T6, FISCO • IS Class I, Zone 0, AEx ia, IIC T4/T5/T6, FISCO • NI Class I, Div 2, Groups A, B, C, D T4/T5/T6, FNICO
Explosion protection CSA for Canada	
• CSA approval	CSA 1861385
• Degree of protection	<ul style="list-style-type: none"> • IS Class I, Div 1, Groups A, B, C, D T4/T5/T6 • Ex ia IIC T4/T5/T6 and Ex ib [ia] IIC T4/T5/T6 • NI Class I, Div 2, Groups A, B, C, D T4/T5/T6 • Ex nA II T4/T5/T6
Other certificates	GOST
Communication	
Parameterization interface	
• PROFIBUS PA connection	
- Protocol	Profile 3.0
- Address (for delivery)	126
• FOUNDATION fieldbus connection	
- Protocol	FF protocol
- Functionality	Basic or LAS
- Version	ITK 4.6
- Function blocks	2 x analog and 1 x PID
Factory setting	
<u>only for SITRANS TH400 PA</u>	
Sensor	Pt100 (IEC)
Type of connection	3-wire circuit
Unit	°C
Failure mode	Last valid value
Filter time	0 s
PA address	126
PROFIBUS Ident No.	Manufacturer-specific
<u>only for SITRANS TH400 FF</u>	
Sensor	Pt100 (IEC)
Type of connection	3-wire circuit
Unit	°C
Failure mode	Last valid value
Filter time	0 s
Node address	22

Temperature Measurement

Transmitters for mounting in sensor head

SITRANS TH400 fieldbus transmitters

Selection and Ordering data

Order No.

Temperature transmitter SITRANS TH400

for installation in connection head, with electrical isolation, order instruction manual separately.

- Bus-compatible to PROFIBUS PA
 - No explosion protection or Zone 2/Div 2 to ATEX/FM/CSA ▶ C) **7NG3214-0NN00**
 - with explosion protection "Intrinsically safe to ATEX/FM/CSA" ▶ C) **7NG3214-0AN00**
- Bus-compatible to FOUNDATION Fieldbus
 - No explosion protection or Zone 2/Div 2 to ATEX/FM/CSA ▶ C) **7NG3215-0NN00**
 - with explosion protection "Intrinsically safe to ATEX/FM/CSA" ▶ C) **7NG3215-0AN00**

Further designs

Order code

Please add **"-Z"** to Order No. and specify Order code(s) and plain text.

Customer-specific setting of operating data (specify operating data in plain text) **Y01¹⁾**

with test protocol (5 measuring points) **C11²⁾**

Accessories

Order No.

CD for measuring instruments for temperature ▶ **A5E00364512**

With documentation in German, English, French, Spanish, Italian, Portuguese and SIPROM T parameterization software

SIMATIC PDM operating software **See Section 9**
DIN rail adapters for head transmitters **7NG3092-8KA**

(Quantity delivered: 5 units)

Connecting cable **7NG3092-8KC**

4-wire, 150 mm, for sensor connections when using head transmitters in the high hinged cover (set with 5 units)

for additional PA components,

See Catalog IK PI

▶ Available ex stock.

¹⁾ Y01: Quote all details that deviate from the factory setting (see below).

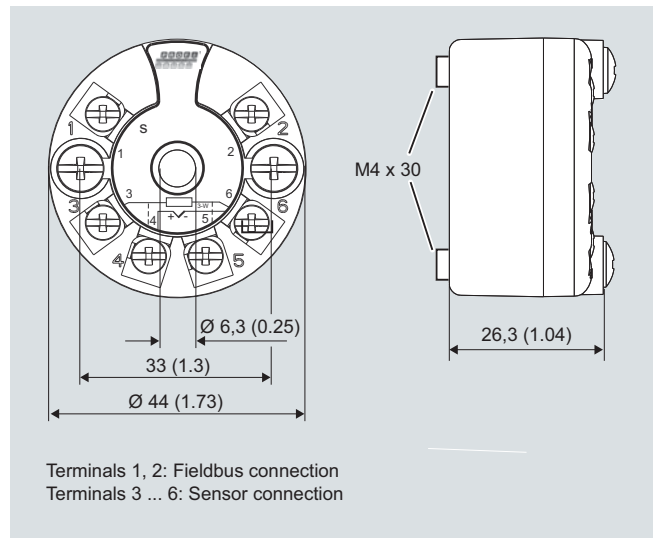
²⁾ Can only be ordered together with Y01 (it is essential to specify the measuring range).

C) Subject to export regulations AL: N, ECCN: EAR99.

Factory setting:

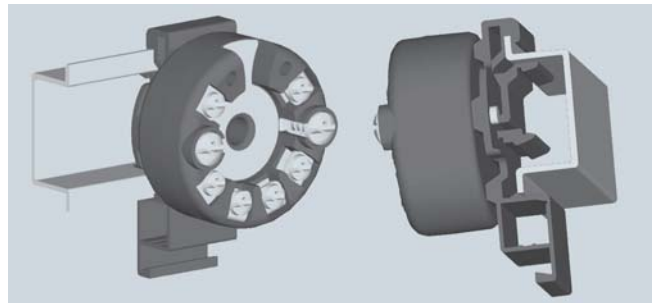
- For SITRANS TH400 PA:
 - Pt100 (IEC 751) with 3-wire circuit
 - Unit: °C
 - Failure mode: Last valid value
 - Filter time: 0 s
 - PA address: 126
 - PROFIBUS Ident No.: Manufacturer-specific
- For SITRANS TH400 FF:
 - Pt100 (IEC 751) with 3-wire circuit
 - Unit: °C
 - Failure mode: Last valid value
 - Filter time: 0 s
 - Node address: 22

Dimensional drawings

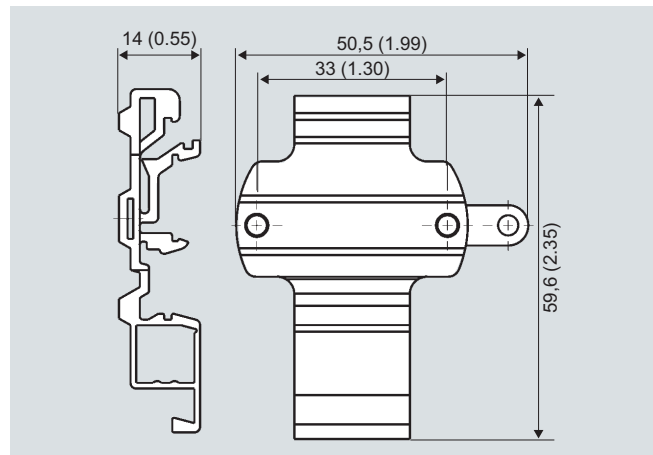


SITRANS TH400 dimensions in mm (inches) and connections

Mounting on DIN rail



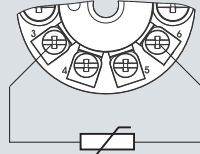
SITRANS TH400, mounting of transmitter on DIN rail



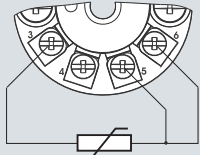
DIN rail adaptor, dimensions in mm (inch)

Schematics

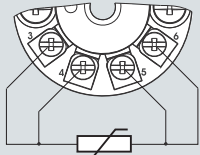
Resistance thermometer



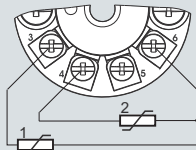
Two-wire system ¹⁾



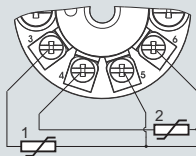
Three-wire system



Four-wire system



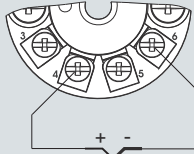
Mean-value/differential or redundancy generation
2 x two-wire system ¹⁾



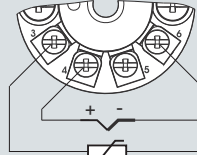
Mean-value/differential or redundancy generation
1 sensor in two-wire system ¹⁾
1 sensor in three-wire system

¹⁾ Programmable line resistance for the purpose of correction.

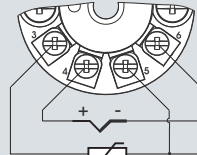
Thermocouple



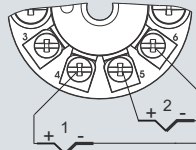
Internal cold junction compensation



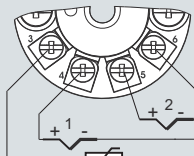
Cold junction compensation with external Pt100 in two-wire system ¹⁾



Cold junction compensation with external Pt100 in three-wire system

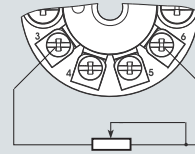


Mean value, differential or redundancy generation with internal cold junction compensation

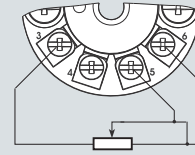


Mean value, differential or redundancy generation and cold junction compensation with internal Pt100 in two-wire system ¹⁾

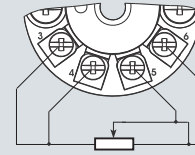
Resistance



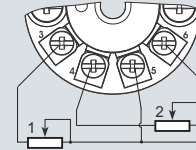
Two-wire system ¹⁾



Three-wire system

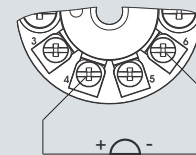


Four-wire system

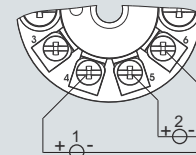


Mean value, differential or redundancy generation
1 resistor in two-wire system ¹⁾
1 resistor in three-wire system

Voltage measurement

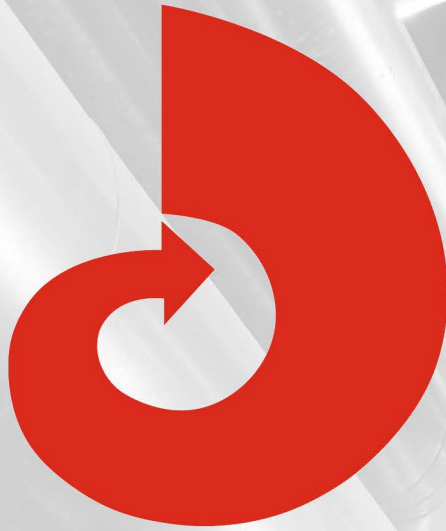


One voltage source



Measurement of mean value, differential and redundancy with 2 voltage sources

FINE CONTROLS (UK) LTD



Fine Controls have been supplying process controls & instrumentation equipment since 1994, & now serves an ever expanding customer base, both in the UK & globally.

We offer a full range of valve & instrumentation products & services, with our product range representing leading technologies & brands:

Flow: Flow Meters & Transmitters, Flow Switches, Flow Control Valves & Batch Control Systems

Temperature: Temperature Probes & Thermowells, Temperature transmitters, Temperature Regulators & Temperature Displays

Level: Level Transmitters & Switches

Pressure: Pressure Gauges & Transmitters, Precision & High Pressure Regulators & I-P Converters, Volume boosters.

Precision Pneumatics: Pressure Regulators, I-P Converters, Volume Boosters, Vacuum Regulators

Valves: Solenoid & Pneumatic Valves, Control Valves & Positioners, Actuated Ball, Globe or Diaphragm Valves & Isolation Valves

Services: Repair, Calibration, Panel Build, System Design & Commissioning

 A rotork® Brand
FAIRCHILD



bürkert



SIEMENS



alcon
SOLENOID VALVES

A rotork® Brand



MIDLAND-ACS
A rotork® Brand



Honeywell



 **Bourdon**
Baumer Group



SOLDO
CONTROLS

A rotork® Brand



Fine Controls (UK) LTD, Bassendale Road, Croft Business Park,
Bromborough, Wirral, CH62 3QL UK
Tel: 0151 343 9966
Email: sales@finecontrols.com