

FINE CONTROLS (UK) LTD



Fine Controls have been supplying process controls & instrumentation equipment since 1994, & now serves an ever expanding customer base, both in the UK & globally.

We offer a full range of valve & instrumentation products & services, with our product range representing leading technologies & brands:

Flow: Flow Meters & Transmitters, Flow Switches, Flow Control Valves & Batch Control Systems

Temperature: Temperature Probes & Thermowells, Temperature transmitters, Temperature Regulators & Temperature Displays

Level: Level Transmitters & Switches

Pressure: Pressure Gauges & Transmitters, Precision & High Pressure Regulators & I-P Converters, Volume boosters.

Precision Pneumatics: Pressure Regulators, I-P Converters, Volume Boosters, Vacuum Regulators

Valves: Solenoid & Pneumatic Valves, Control Valves & Positioners, Actuated Ball, Globe or Diaphragm Valves & Isolation Valves

Services: Repair, Calibration, Panel Build, System Design & Commissioning

 A rotork® Brand
FAIRCHILD



bürkert



SIEMENS



alcon
SOLENOID VALVES

A rotork® Brand



MIDLAND-ACS
A rotork® Brand



Honeywell



 **Bourdon**
Baumer Group



SOLDO
CONTROLS

A rotork® Brand



Fine Controls (UK) LTD, Bassendale Road, Croft Business Park,
Bromborough, Wirral, CH62 3QL UK
Tel: 0151 343 9966
Email: sales@finecontrols.com

Level Measurement

Continuous level measurement
Ultrasonic transmitters

SITRANS Probe LU240

Overview



SITRANS Probe LU240 ultrasonic level transmitter, ideal for level, volume, and volume flow measurements. It works with liquids, slurries, and bulk materials up to 12 m (40 ft).

Benefits

- Continuous level measurement up to 12 m (40 ft) range
- Easy installation and simple startup
- Programming using 4-button HMI or SIMATIC PDM
- Communication using HART
- ETFE or PVDF transducers for chemical compatibility
- Process Intelligence signal processing
- Auto False Echo Suppression for fixed obstruction avoidance
- Low power and current startup

Application

The SITRANS Probe LU240 is ideal for level monitoring in the water and wastewater industry, chemical storage vessels, and small bulk hoppers.

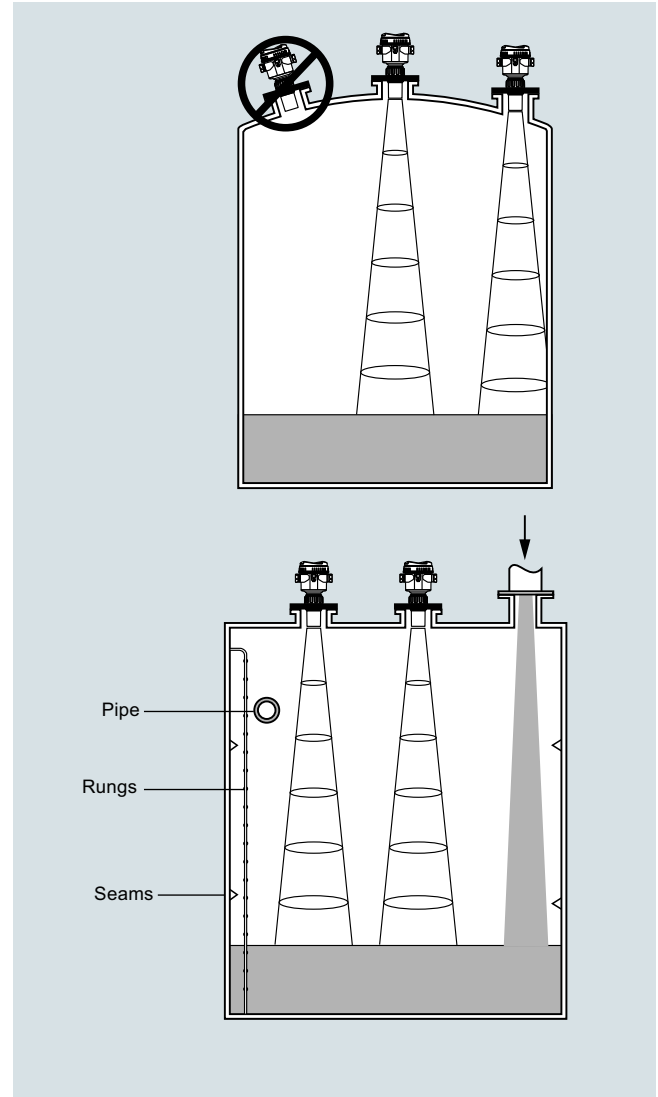
The range of SITRANS Probe LU240 is 6 or 12 m (20 or 40 ft). Using Process Intelligence, Auto False Echo Suppression for fixed obstruction avoidance, and accuracy of 0.15 % of range or 6 mm (0.25 inch), the Probe LU240 provides unmatched reliability.

The Probe LU240 offers HART communication.

The transducer on the Probe LU240 is available as ETFE or PVDF to suit the chemical conditions of your application. As well, for applications with varying material and process temperatures, the Probe LU240 incorporates an internal temperature sensor to compensate for temperature changes.

- Key Applications: chemical storage vessels, filter beds, liquid storage vessels

Configuration



SITRANS Probe LU240 mounting

Technical specifications

Mode of operation		Process connection	
Measuring principle	Ultrasonic level measurement	Threaded connection	2" NPT [(Taper), ASME B1.20.1] R 2" [(BSPT), EN 10226] or G 2" [(BSPP), EN ISO 228-1]
Typical application	Level measurement in storage vessels and simple process vessels	Flange connection	3 inch (80 mm) universal flange
Inputs		Other connection	FMS 200 mounting bracket (see page 4/186) or customer supplied mount
Measuring range		Display and Controls	
• 6 m (20 ft) model	0.2 ... 6 m (8 inch ... 20 ft)	Interface	Local: LCD display Remote: Available via HART
• 12 m (40 ft) model	0.2 ... 12 m (8 inch ... 40 ft)	Configuration	4-button HMI
Frequency	54 kHz	Memory	Non-volatile EEPROM, no battery required
Outputs		Power supply	
mA/HART		4 ... 20 mA/HART	10.5 ... 30 V DC
• Range	4 ... 20 mA	Certificates and Approvals	
• Accuracy	± 0.02 mA	General	FM, cCSA _{US} , CE, RCM
• HART version	7	Hazardous	
• Startup current	3.6 mA	• Intrinsically Safe	- Europe - International - USA/Canada
• Fail-safe	Programmable as high, low, or hold (loss of echo) per NAMUR NE43	- Brazil - China - South Africa	ATEX II 1G Ex ia IIC T4 Ga IECEX SIR 18.0013X Ex ia IIC T4 Ga FM/cCSA _{US} , Class I, Div. 1, Groups A, B, C, D, Class II, Div. 1, Groups E, F, G, Class III T4 INMETRO Ex ia IIC T4 Ga NEPSI Ex ia IIC T4 Ga SABS Ex ia IIC Tx Ga
Performance		• Non-incendive	- USA
Resolution	≤ 3 mm (0.12 inch)		FM, Class I, Div. 2, Groups A, B, C, D Tx
Accuracy	± the greater of 0.15 % of range or 6 mm (0.25 inch) [valid from 0.25 m (0.82 ft)]		
Non-Repeatability	≤ 3 mm (0.12 inch)		
Blanking distance	0.2 m (0.66 ft)		
Update time	≤ 4 s		
Temperature compensation	Built-in to compensate over temperature range		
Beam angle	10°		
Rated operating conditions			
Ambient conditions			
• Location	Indoor/outdoor		
• Ambient temperature	• Storage: -40 ... +85 °C (-40 ... +185 °F) • Operating: -40 ... +80 °C (-40 ... +176 °F)		
• Relative humidity/ingress protection	Suitable for outdoor		
• Installation category	I		
• Pollution degree	4		
Medium conditions			
• Temperature at flange or threads	-40 ... +85 °C (-40 ... +185 °F)		
• Pressure (vessel)	0.5 bar g (7.25 psi g)		
Design			
Material (enclosure)	PBT (Polybutylene Terephthalate)		
Degree of protection	Type 4X, Type 6, IP66, IP68,		
Weight	0.93 kg (2.1 lb)		
Cable inlet	2 x M20 x 1.5 cable gland or 1 x ½" NPT thread		
Material (transducer)	ETFE (Ethylene Tetrafluoroethylene) or PVDF (Polyvinylidene Fluoride), Buna-N seal		

Level Measurement

Continuous level measurement
Ultrasonic transmitters

SITRANS Probe LU240

Selection and Ordering data	Article No.
SITRANS Probe LU240 Ultrasonic Level, HART SITRANS Probe LU240 ultrasonic level transmitter, ideal for level, volume, and volume flow measurements. It works with liquids, slurries, and bulk materials up to 12 m (40 ft). Click on the Article No. for the online configuration in the PIA Life Cycle Portal.	7ML51 1 - 0 - 4
Communications HART (4 ... 20 mA) level, volume, volume flow	0
Ingress protection IP68, TYPE6	1
Measurement range/wetted parts 200 ... 6 000 mm (7.87 ... 236.22 inch), PVDF Copolymer 200 ... 6 000 mm (7.87 ... 236.22 inch), ETFE 200 ... 12 000 mm (7.87 ... 472.44 inch), PVDF Copolymer 200 ... 12 000 mm (7.87... 472.44 inch), ETFE	D E G H
Process connection 2" NPT [(Taper), ASME B1.20.1] R 2" [(BSPT), EN 10226] G 2" [(BSPP), EN ISO 228-1]	D E F
Non-wetted parts Plastic (PBT/PC material)	7
Type of protection Non-Ex (ordinary locations) cCSA _{US} , CE, RCM, EAC Non-Ex (ordinary locations) cCSA _{US} , FM, CE, RCM ¹⁾ Ex i (ia) (Ex-Zone 0/Div. 1)/IS, FM NI (Class I, Div. 2) ²⁾	A B C
Electrical connections/cable entries 2 x M20 x 1.5 (one general purpose Polyamide cable gland and one Polyamide blocking plug provided) 1 x 1/2" NPT (no gland cable provided) For custom electrical connections/cable entries, contact a local sales person. For more information please visit: http://www.automation.siemens.com/aspa_app	F K
Local HMI Without display (blind lid of PBT/PC material) With display (blind lid of PBT/PC material) With display (clear lid of PC material)	0 1 3

Selection and Ordering data	Order code
Further designs Please add "-Z" to Article No. and specify Order code(s).	
Stainless steel tag [13 x 45 mm (0.5 x 1.75 inch)]: Measuring-point number/identification (max. 32 characters) specify in plain text	Y15
Certificates Test certificate: Manufacturer's test certificate M to DIN 55350, Part 18 and ISO 9000	C11
Certificate EN 10204-2.2	C14
Approvals³⁾ ATEX, SABS, IECEx - 1G, EAC Ex, Ex ia IIC T4 Ga	E31
FM non-incendive - Class I, Div. 2, Groups A, B, C, D T5 (Ta = 80 °C), T6 (Ta = 40 °C) ¹⁾	E32
NEPSI, IECEx - Ex ia IIC T4 Ga	E33
cCSA _{US} , KCs, FM - Class I, II, III, Div. 1, Groups A, B, C, D, E, F, G, T4, INMETRO, IECEx - Ex ia IIC T4 Ga ¹⁾ For customs, contact a local sales person. For more information please visit http://www.automation.siemens.com/aspa_app .	E34

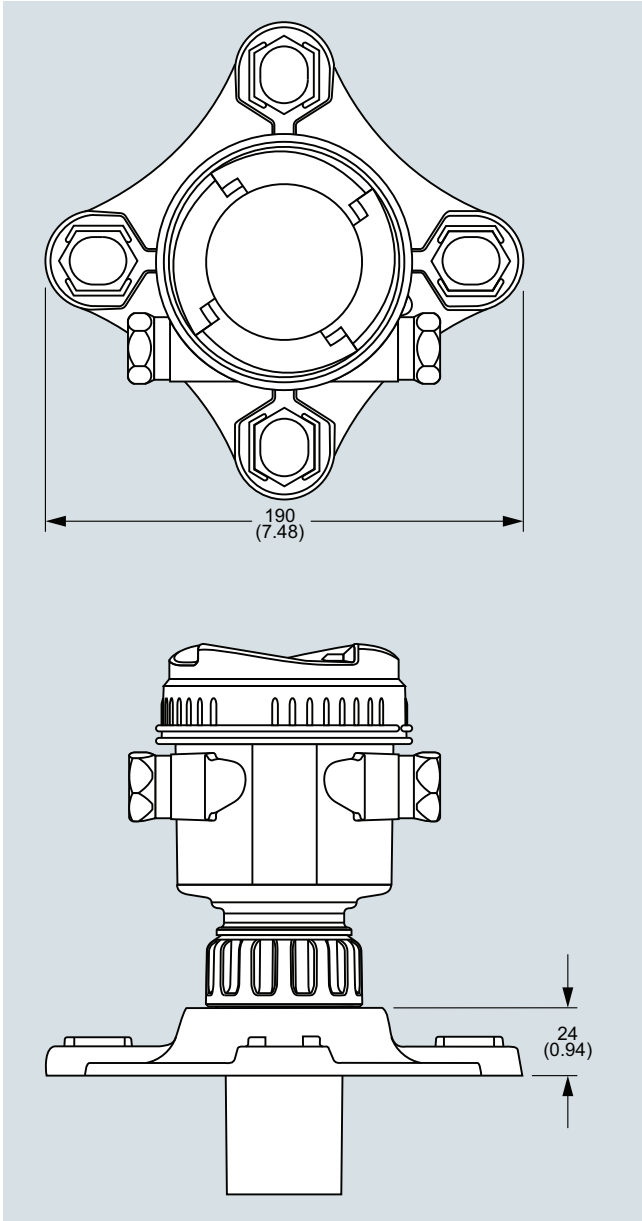
Selection and Ordering data	Article No.
Compact operating instructions English, German, French, Spanish, Italian, Chinese Estonian, Latvian, Lithuanian, Polish, Romanian, Croatian Bulgarian, Czech, Finnish, Slovakian, Slovenian, Dutch Danish, Greek, Portuguese, Swedish, Hungarian Note: The Operating Instructions should be ordered as a separate item on the order. All literature is available to download for free, in a range of languages, at http://www.siemens.com/processinstrumentation/documentation	A5E42673704 A5E42673708 A5E42673746 A5E42673748
Accessories Tag, stainless steel, 12 x 45 mm, one text line (max. 16 characters) Stainless steel FMS200 universal box bracket mounting kit 3" ASME/DIN Universal mounting adapter, 2" NPT, ETFE 3" ASME/DIN Universal mounting adapter, 2" BSP, ETFE 2" NPT nylon plastic, locknut 2" BSP nylon plastic, locknut Cable Gland Polyamide - General Purpose (-20 ... +60 °C)	7ML1930-1AC 7ML1830-1BK 7ML1830-1BT 7ML1830-1BU 7ML1830-1DT 7ML1830-1DQ A5E34457564
Spare Parts Spare lid, clear Spare lid, blind Spare o-ring for lid Spare segmented display and 4-button HMI	A5E44267491 A5E44267497 A5E44267501 A5E44809382

¹⁾ For use with Electrical connections/cable entries option K only.

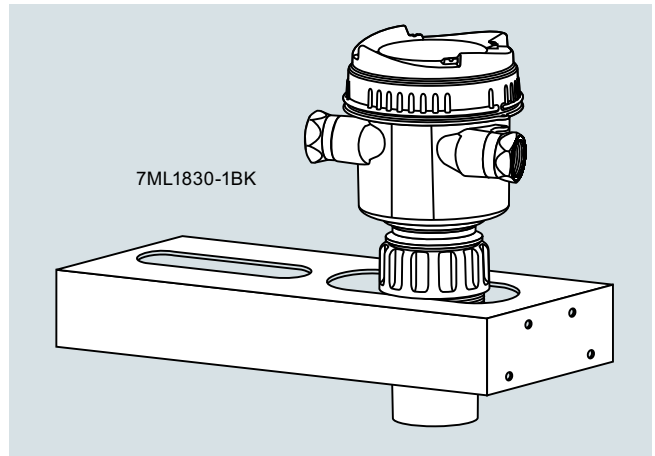
²⁾ For use with only one order code (E31, E32, E33, E34).

³⁾ Order codes (E31, E32, E33, E34) only available with Type of protection option C.

Options



SITRANS Probe LU240 optional flange adapter, dimensions in mm (inch)

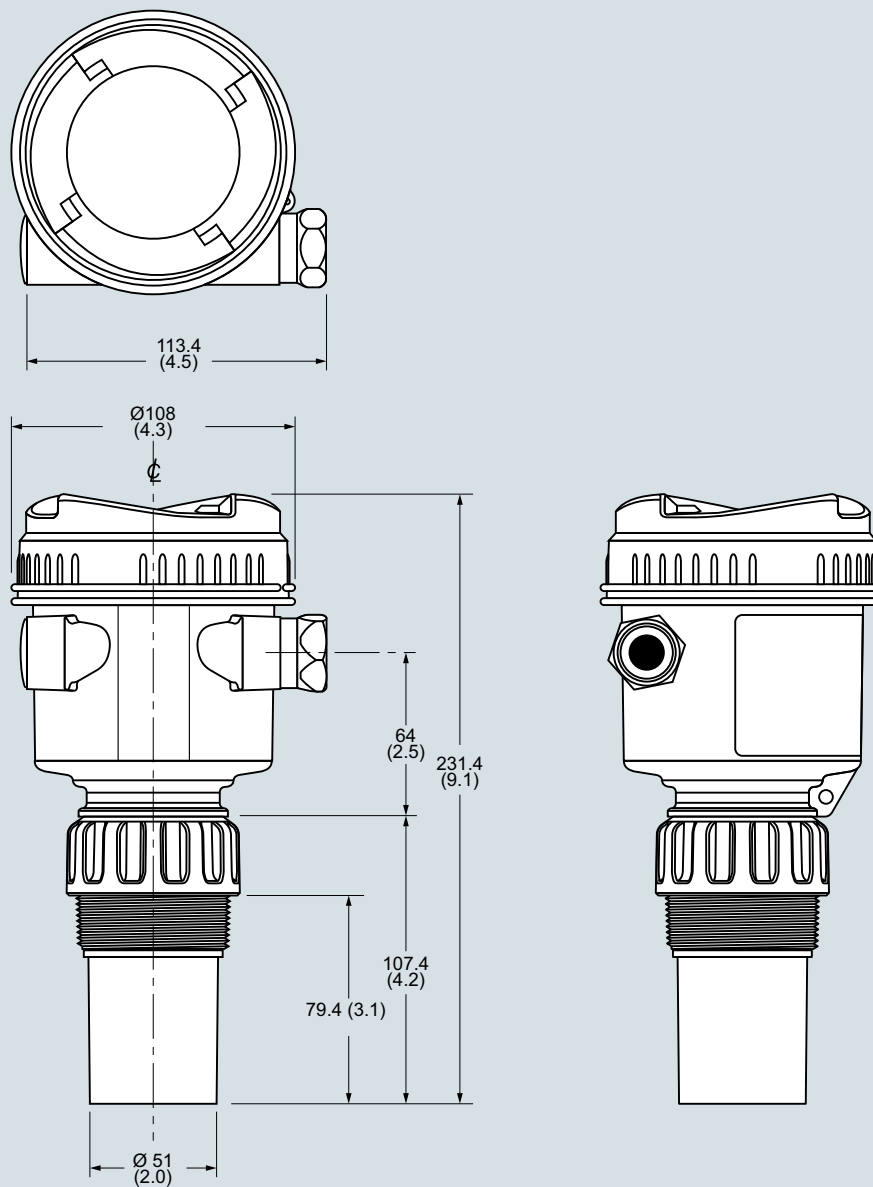


SITRANS Probe LU240 with optional FMS 200 universal box bracket

Level Measurement

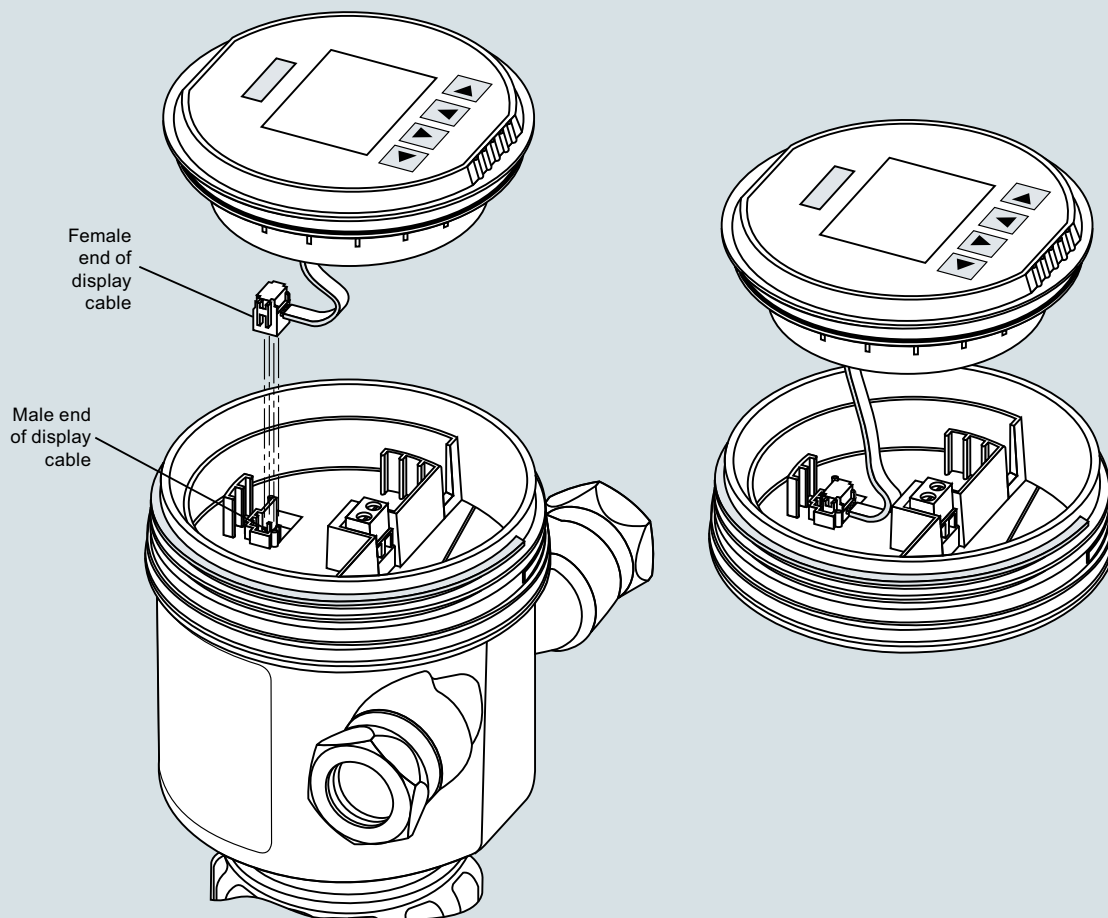
Continuous level measurement

Ultrasonic transmitters

SITRANS Probe LU240**Dimensional drawings**

SITRANS Probe LU240, dimensions in mm (inch)

Circuit diagrams



SITRANS Probe LU240 connections