

SIEMENS

SITRANS

Pressure transmitter




SITRANS LH300 (7MF1575..) Transmitter for hydrostatic level

Compact Operating Instructions

Legal information

Warning notice system

This manual contains notices you have to observe in order to ensure your personal safety, as well as to prevent damage to property. The notices referring to your personal safety are highlighted in the manual by a safety alert symbol, notices referring only to property damage have no safety alert symbol. These notices shown below are graded according to the degree of danger.

 DANGER
indicates that death or severe personal injury will result if proper precautions are not taken.
 WARNING
indicates that death or severe personal injury may result if proper precautions are not taken.
 CAUTION
indicates that minor personal injury can result if proper precautions are not taken.
NOTICE
indicates that property damage can result if proper precautions are not taken.


If more than one degree of danger is present, the warning notice representing the highest degree of danger will be used. A notice warning of injury to persons with a safety alert symbol may also include a warning relating to property damage.

Qualified Personnel

The product/system described in this documentation may be operated only by **personnel qualified** for the specific task in accordance with the relevant documentation, in particular its warning notices and safety instructions. Qualified personnel are those who, based on their training and experience, are capable of identifying risks and avoiding potential hazards when working with these products/systems.

Proper use of Siemens products

Note the following:

 WARNING
Siemens products may only be used for the applications described in the catalog and in the relevant technical documentation. If products and components from other manufacturers are used, these must be recommended or approved by Siemens. Proper transport, storage, installation, assembly, commissioning, operation and maintenance are required to ensure that the products operate safely and without any problems. The permissible ambient conditions must be complied with. The information in the relevant documentation must be observed.

1 Introduction

1.1 Purpose of this documentation

These instructions contain all information required to commission and use the device. Read the instructions carefully prior to installation and commissioning. In order to use the device correctly, first review its principle of operation.

The instructions are aimed at persons mechanically installing the device, connecting it electronically, configuring the parameters and commissioning it, as well as service and maintenance engineers.

See also

Technical support (Page 21)

1.2 Checking the consignment

1. Check the packaging and the delivered items for visible damage.
2. Report any claims for damages immediately to the shipping company.
3. Retain damaged parts for clarification.
4. Check the scope of delivery by comparing your order to the shipping documents for correctness and completeness.

WARNING

Using a damaged or incomplete device

Risk of explosion in hazardous areas.

- Do not use damaged or incomplete devices.

1.3 Transportation and storage

To guarantee sufficient protection during transport and storage, observe the following:

- Keep the original packaging for subsequent transportation.
- Devices/replacement parts should be returned in their original packaging.
- If the original packaging is no longer available, ensure that all shipments are properly packaged to provide sufficient protection during transport. Siemens cannot assume liability for any costs associated with transportation damages.

CAUTION

Insufficient protection during storage

The packaging only provides limited protection against moisture and infiltration.

- Provide additional packaging as necessary.

Special conditions for storage and transportation of the device are listed in Technical specifications (Page 15).

1.4 Notes on warranty

The contents of this manual shall not become part of or modify any prior or existing agreement, commitment or legal relationship. The sales contract contains all obligations on the part of Siemens as well as the complete and solely applicable warranty conditions. Any statements regarding device versions described in the manual do not create new warranties or modify the existing warranty.


The content reflects the technical status at the time of publishing. Siemens reserves the right to make technical changes in the course of further development.

2 Safety instructions

2.1 Prerequisites for safe use

This device left the factory in good working condition. In order to maintain this status and to ensure safe operation of the device, observe these instructions and all the specifications relevant to safety.

Observe the information and symbols on the device. Do not remove any information or symbols from the device. Always keep the information and symbols in a completely legible state.

Symbol	Explanation
	Consult operating instructions

2.1.1 Laws and directives

Observe the test certification, provisions and laws applicable in your country during connection, assembly and operation. These include, for example:

- National Electrical Code (NEC - NFPA 70) (USA)
- Canadian Electrical Code (CEC) (Canada)

Further provisions for hazardous area applications are for example:

- IEC 60079-14 (international)
- EN 60079-14 (EC)


2.1.2 Conformity with European directives

The CE mark on the device is a sign of conformity with the following European directives:

Electromagnetic compatibility EMC 2014/30/EU	Directive of the European Parliament and of the Council on the harmonisation of the laws of the Member States relating to electromagnetic compatibility.
Atmosphère explosible ATEX 2014/34/EU	Directive of the European Parliament and of the Council on the harmonisation of the laws of the Member States relating to equipment and protective systems intended for use in potentially explosive atmospheres.

The standards applied can be found in the EC declaration of conformity for the device.

2.2 Improper device modifications

 WARNING
Improper device modifications Risk to personnel, system and environment can result from modifications to the device, particularly in hazardous areas. <ul style="list-style-type: none">• Only carry out modifications that are described in the instructions for the device. Failure to observe this requirement cancels the manufacturer's warranty and the product approvals.

2.3 Requirements for special applications

Due to the large number of possible applications, each detail of the described device versions for each possible scenario during commissioning, operation, maintenance or operation in systems cannot be considered in the instructions. If you need additional information not covered by these instructions, contact your local Siemens office or company representative.

Note

Operation under special ambient conditions

We highly recommend that you contact your Siemens representative or our application department before you operate the device under special ambient conditions as can be encountered in nuclear power plants or when the device is used for research and development purposes.

2.4 Use in hazardous areas

2.4.1 Qualified personnel for hazardous area applications

Qualified personnel for hazardous area applications

Persons who install, connect, commission, operate, and service the device in a hazardous area must have the following specific qualifications:

- They are authorized, trained or instructed in operating and maintaining devices and systems according to the safety regulations for electrical circuits, high pressures, aggressive, and hazardous media.
- They are authorized, trained, or instructed in carrying out work on electrical circuits for hazardous systems.
- They are trained or instructed in maintenance and use of appropriate safety equipment according to the pertinent safety regulations.

 **WARNING**

Unsuitable device for the hazardous area

Risk of explosion.

- Only use equipment that is approved for use in the intended hazardous area and labelled accordingly.

See also

Technical specifications (Page 15)

 **WARNING**

Loss of safety of device with type of protection "Intrinsic safety Ex i"

If the device has already been operated in non-intrinsically safe circuits or the electrical specifications have not been observed, the safety of the device is no longer ensured for use in hazardous areas. There is a risk of explosion.

- Connect the device with type of protection "Intrinsic safety" solely to an intrinsically safe circuit.
- Observe the specifications for the electrical data on the certificate and/or in Technical specifications (Page 15).

3 Description

3.1 Application range

The LH300 pressure transmitter is a submersible sensor for hydrostatic level measurement. The pressure transmitter measures the liquid levels in tanks, containers, channels and dams.

The pressure transmitter is available for various measuring ranges and optionally with explosion protection. A cable box and an anchor clamp are available as accessories to make installation easier.

The pressure transmitter is used, for example, in the following industrial areas:

- Water supply
- For use in pressureless/open tanks and wells

3.2 Structure

The pressure transmitter has a built-in ceramic sensor which is equipped with a Wheatstone resistance bridge.

The pressure transmitter is equipped with electronics that is installed, together with the sensor, in a stainless steel enclosure. There is also a vent pipe in the connecting cable.

The measuring diaphragm is effectively protected against external influences by a protective cover.

The sensor, the electronics and the connecting cable are housed in an enclosure with small dimensions.

The pressure transmitter is suitable for a wide temperature range.

3.3 Design of the nameplate

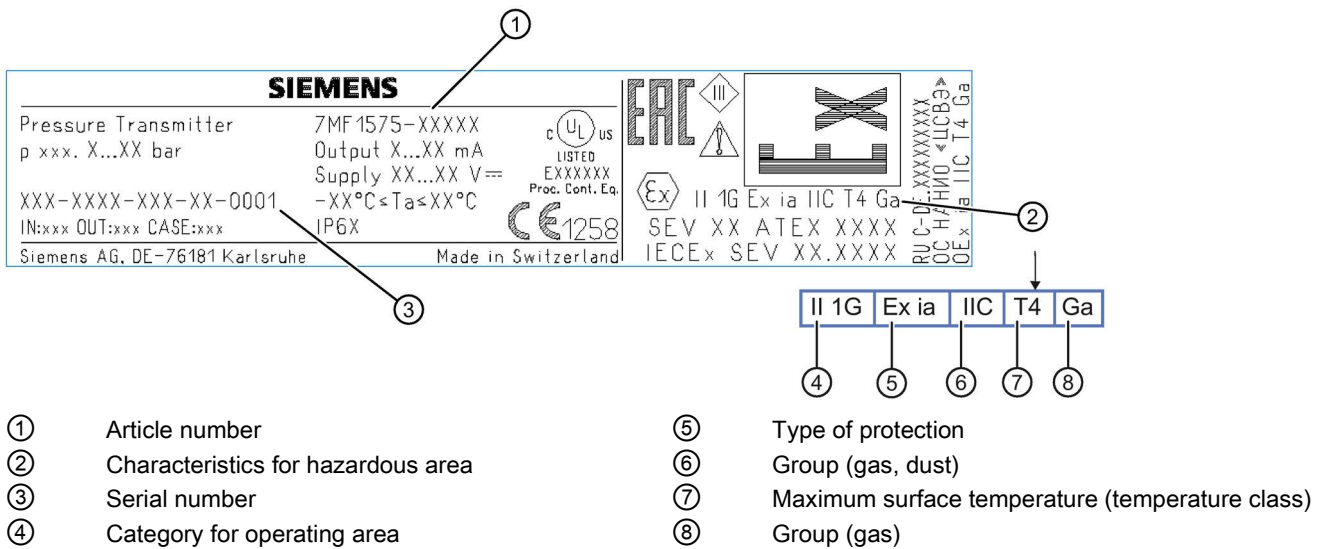


Figure 3-1 Example of a nameplate

The pressure transmitter has a nameplate with the article number and other important information, such as design details and technical specifications.

You must also observe the information in the relevant certificate for a transmitter version for use in hazardous areas.

3.4 Mode of operation

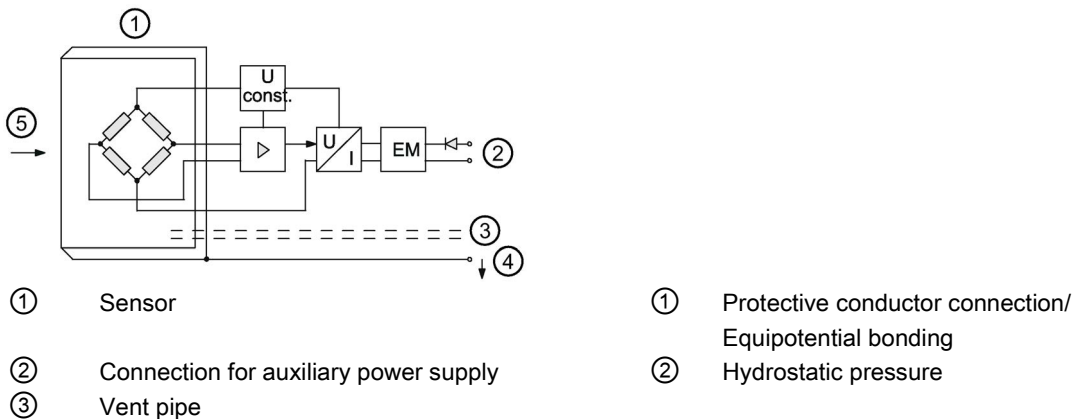


Figure 3-2 Pressure transmitter, mode of operation and wiring diagram

On one side of the sensor ① the diaphragm is exposed to the hydrostatic pressure ⑤, which is proportional to the immersion depth. This pressure is compared with the atmospheric pressure. Pressure compensation is carried out using the vent pipe ③ in the connecting cable.

The hydrostatic pressure of the liquid column acts on the diaphragm of the sensor and transmits the pressure to the Wheatstone resistance bridge in the sensor.

The output voltage signal of the sensor is fed to the electronics, where it is converted into an output current signal of 4 mA to 20 mA.

The protective conductor connection/equipotential bonding ④ is connected to the enclosure.

4 Installing/mounting

4.1 Basic safety instructions

WARNING

Wetted parts unsuitable for the process media

Risk of injury or damage to device.

Hot, toxic and corrosive media could be released if the process medium is unsuitable for the wetted parts.

- Ensure that the material of the device parts wetted by the process medium is suitable for the medium. Refer to the information in Technical specifications (Page 15).

Note

Material compatibility

Siemens can provide you with support concerning selection of sensor components wetted by process media. However, you are responsible for the selection of components. Siemens accepts no liability for faults or failures resulting from incompatible materials.

4.1.1 Exceeded maximum permissible operating pressure

WARNING

Exceeded maximum permissible operating pressure

Risk of injury or poisoning.

The maximum permissible operating pressure depends on the device version, pressure limit and temperature rating. The device can be damaged if the operating pressure is exceeded. Hot, toxic and corrosive process media could be released.

Ensure that maximum permissible operating pressure of the device is not exceeded. Refer to the information on the nameplate and/or in Technical specifications (Page 15).

NOTICE

Using a device with frozen process medium

Damage to the device through ice formation.

- Prevent ice formation on the pressure transmitter. The process medium must not freeze.

4.1.2 Proper mounting

NOTICE

Incorrect mounting

The device can be damaged, destroyed, or its functionality impaired through improper mounting.

- Before installing ensure there is no visible damage to the device.
- Make sure that process connectors are clean, and suitable gaskets and glands are used.
- Mount the device using suitable tools. Refer to the information in Technical specifications (Page 15) for installation torque requirements.

CAUTION

Loss of type of protection

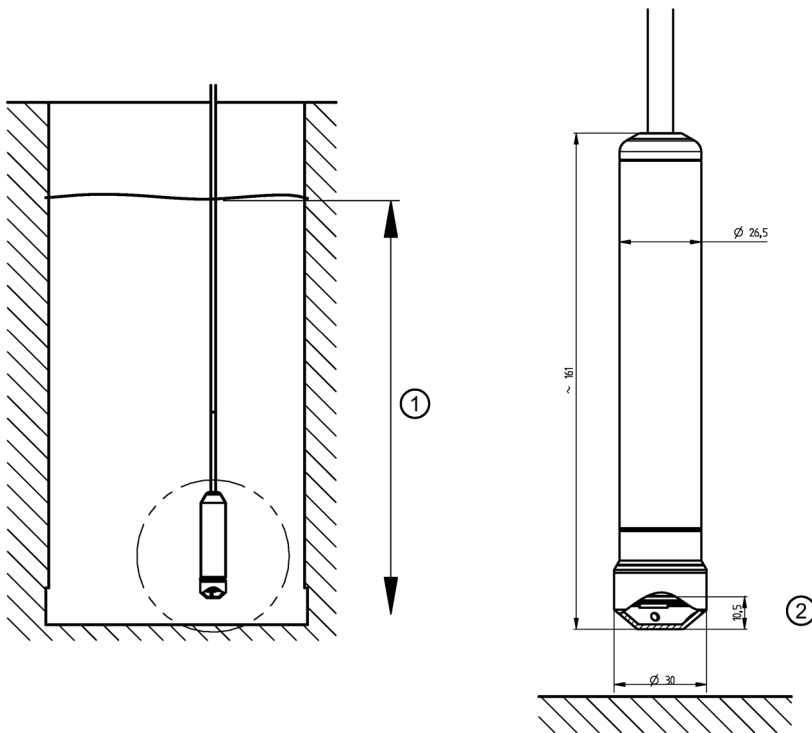
Damage to device if the enclosure is open or not properly closed. The type of protection specified on the nameplate or in Technical specifications (Page 15) is no longer guaranteed.

- Make sure that the device is securely closed.

See also

Installing/mounting (Page 8)

4.2 Installation

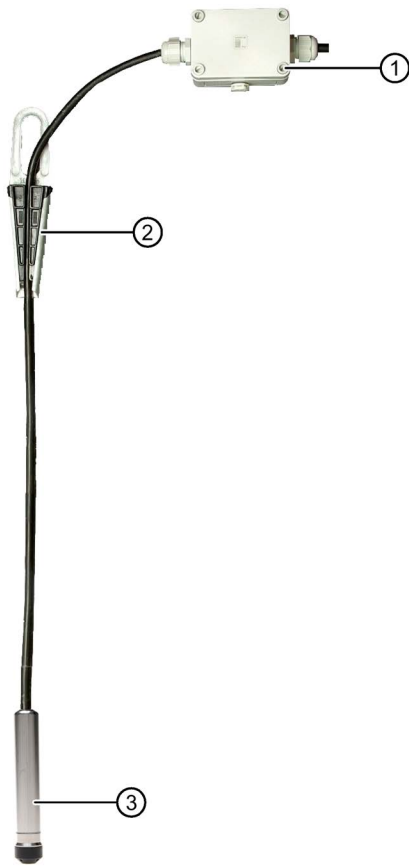


- ① Level
- ② Measurement reference height

Figure 4-1 Mounting the pressure transmitter (example with protective cover made of PPE)

1. Install the pressure transmitter suspended downward on the cable.
2. To prevent measuring errors, fasten the pressure transmitter for moved process media.
3. Fasten the pressure transmitter by means of a guide tube or an additional weight on the transmitter (max. tensile force on connecting cable 360 N).
4. Fasten the cable above the container with the anchor clamp.
5. Connect the cable itself with the cable box.
6. Mount the cable box at a location appropriate to its degree of protection (IP66) in the vicinity of the measuring point.
7. To ensure proper functioning, make sure that the entry openings on the protective cover of the pressure transmitter do not get soiled and that the process medium does not freeze on the pressure transmitter.

4.3 Setting up the measuring points



- ① Cable box
- ② Anchor clamp
- ③ Pressure transmitter

Figure 4-2 Setting up the measuring points

4.4 Establishing the measuring range

Calculating the measuring range with process media with a density $\neq 1000 \text{ kg/m}^3$ (process medium \neq water)

$$p = \rho * g * h$$

with:

ρ = density of the process medium

g = local gravitational acceleration

h = maximum level

5 Connecting

5.1 Basic safety instructions

WARNING

Maximum cable length exceeded for devices with type of protection "Intrinsic safety Ex i"

Danger of explosion in hazardous areas.

Observe the maximum permissible cable length in order to comply with the requirements for devices with type of protection "Intrinsic safety Ex i".

WARNING

Unsuitable cables, cable glands and/or plugs

Risk of explosion in hazardous areas.

- Use only cable glands/plugs that comply with the requirements for the relevant type of protection.
- Tighten the cable glands in accordance with the torques specified in Technical specifications (Page 15).
- Close unused cable inlets for the electrical connections.
- When replacing cable glands use only cable glands of the same type.
- After installation check that the cables are seated firmly.

WARNING

Improper power supply

Danger of explosion in hazardous areas and loss of device safety as a result of incorrect power supply, e.g. using direct current instead of alternating current.

- Connect the device in accordance with the specified power supply and signal circuits. The relevant specifications can be found in the certificates, in Chapter "Technical specifications (Page 15)" or on the nameplate.
- Always power the device with limited energy. Observe the following standards on limited energy: UL61010-1 3rd Edition, Section 9.3 or LPS (Low Power Supply) in accordance with UL60950-1 or Class 2 in accordance with UL1310 or UL1585.

WARNING

Unsafe extra-low voltage

Risk of explosion in hazardous areas due to voltage flashover.

- Connect the device to an extra-low voltage with safe isolation (SELV).

WARNING

Lack of equipotential bonding

Risk of explosion through compensating currents or ignition currents through lack of equipotential bonding.

- Ensure that the device is potentially equalized.

Exception: It may be permissible to omit connection of the equipotential bonding for devices with type of protection "Intrinsic safety Ex i".

WARNING

Unprotected cable ends

Risk of explosion through unprotected cable ends in hazardous areas.

- Protect unused cable ends in accordance with IEC/EN 60079-14.

⚠ WARNING

Improper laying of shielded cables

Risk of explosion through compensating currents between hazardous area and the non-hazardous area.

- Shielded cables that cross into hazardous areas should be grounded only at one end.
- If grounding is required at both ends, use an equipotential bonding conductor.

⚠ WARNING

Connecting device in energized state

Risk of explosion in hazardous areas.

- Connect devices in hazardous areas only in a de-energized state.

Exceptions:

- Devices having the type of protection "Intrinsic safety Ex i" may also be connected in energized state in hazardous areas.
- Exceptions for type of protection "Non-sparking nA" (Zone 2) are regulated in the relevant certificate.

Note

Electromagnetic compatibility (EMC)

You can use this device in industrial environments, households and small businesses.

For metal housings there is an increased electromagnetic compatibility compared to high-frequency radiation. This protection can be increased by grounding the housing, see Connecting (Page 11).

Note

Improvement of interference immunity

- Lay signal cables separately to cables with voltages > 60 V.
- Use cable with twisted wires.
- Keep the device and the cables at a distance from strong electromagnetic fields.

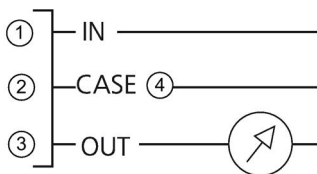
5.2 Connecting the device

Procedure

Connect the pressure transmitter to the cable box as follows:

1. Connect the cable of the pressure transmitter to the terminals 1 (-), 2 (+) and the grounding.
2. Insert the vent pipe into the cable box.

The vent pipe must be open to the atmosphere. The watertight filter present on the cable box housing serves for this purpose.



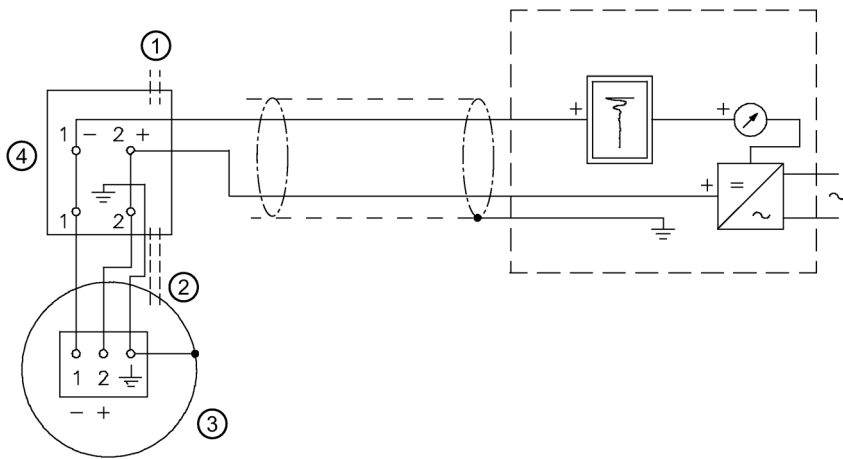
- ① Brown
- ② Black

- ③ Blue
- ④ Protective conductor connection/equipotential bonding

Figure 5-1 Electrical connection

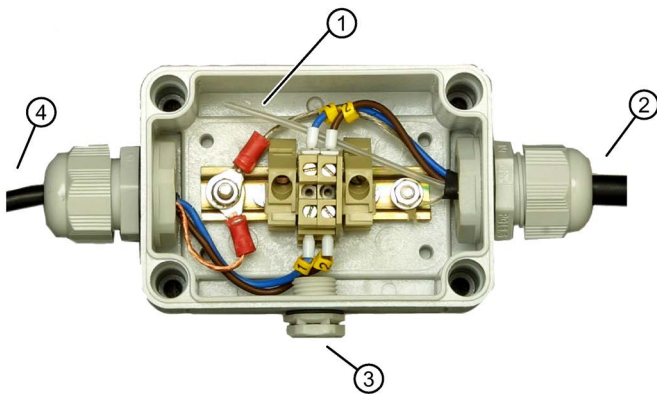
Example

In the case of applications in non-hazardous areas, you can connect the pressure transmitter as follows:



- ① Atmospheric pressure
- ② Vent pipe
- ③ Transmitter
- ④ Cable box

Figure 5-2 Connection diagram



- ① Vent pipe(s)
- ② To transmitter
- ③ Cable box venting
- ④ To measured value processing

Figure 5-3 Cable box, open

6 Commissioning

6.1 Basic safety instructions

WARNING

Improper commissioning in hazardous areas

Device failure or risk of explosion in hazardous areas.

- Do not commission the device until it has been mounted completely and connected in accordance with the information in Technical specifications (Page 15).
- Before commissioning take the effect on other devices in the system into account.

6.2 Calibrating

The pressure transmitter was calibrated to the measuring range at the manufacturer and cannot be re-calibrated.

7 Maintenance and servicing

7.1 Basic safety instructions

Note

The device is maintenance-free.

WARNING

Impermissible repair of explosion protected devices

Risk of explosion in areas subject to explosion hazard.

- Repair must be carried out by Siemens authorized personnel only.

WARNING

Use of a computer in a hazardous area

If the interface to the computer is used in the hazardous area, there is a risk of explosion.

- Ensure that the atmosphere is explosion-free (hot work permit).

7.2 Calibrating

The pressure transmitter was calibrated to the measuring range at the manufacturer and cannot be re-calibrated.

7.3 Maintenance and repair work

WARNING

Impermissible accessories and spare parts

Risk of explosion in areas subject to explosion hazard.

- Only use original accessories or original spare parts.
- Observe all relevant installation and safety instructions described in the instructions for the device or enclosed with the accessory or spare part.

NOTICE

Faulty measurement caused by dirt

The pressure transmitter can become soiled by the process medium.

- Prevent any dirt accumulating on the entry openings on the protective cover of the pressure transmitter.

7.4 Return procedure

Enclose the bill of lading, return document and decontamination certificate in a clear plastic pouch and attach it firmly to the outside of the packaging.

Required forms

- Delivery note
- Return document (<http://www.siemens.com/processinstrumentation/returngoodsnote>) with the following information:
 - Product (item description)
 - Number of returned devices/replacement parts
 - Reason for returning the item(s)
- Decontamination declaration (<http://www.siemens.com/sc/declarationofdecontamination>)

With this declaration you warrant "that the device/replacement part has been carefully cleaned and is free of residues. The device/replacement part does not pose a hazard for humans and the environment."

If the returned device/replacement part has come into contact with poisonous, corrosive, flammable or water-contaminating substances, you must thoroughly clean and decontaminate the device/replacement part before returning it in order to ensure that all hollow areas are free from hazardous substances. Check the item after it has been cleaned.

Any devices/replacement parts returned without a decontamination declaration will be cleaned at your expense before further processing.

7.5 Disposal



Devices identified by this symbol may not be disposed of in the municipal waste disposal services under observance of the Directive 2012/19/EC on waste electronic and electrical equipment (WEEE).

They can be returned to the supplier within the EC or to a locally approved disposal service. Observe the specific regulations valid in your country.

Further information about devices containing batteries can be found at: Information on battery/product return (WEEE)

(<https://support.industry.siemens.com/cs/document/109479891/>)

Note

Special disposal required

The device includes components that require special disposal.

- Dispose of the device properly and environmentally through a local waste disposal contractor.

8 Technical specifications

Gauge pressure input

Measured variable	Hydrostatic level	
Measuring range, max.	Measuring range	Maximum operating pressure MAWP (PS)

Gauge pressure input

operating pressure (according to 97/23/EC Pressure Equipment Directive) and max. test pressure (according to DIN 16086)	0 to 0.1 bar	1.5 bar
	0 to 1 mH ₂ O (0 to 3 ftH ₂ O)	15 mH ₂ O (45 ftH ₂ O)
	0 to 0.2 bar	1.5 bar
	0 to 2 mH ₂ O	15 mH ₂ O (45 ftH ₂ O)
	0 to 0.3 bar	1.5 bar
	0 to 3 mH ₂ O (0 to 9 ftH ₂ O)	21.8 psi 15 mH ₂ O (45 ftH ₂ O)
	0 to 0.4 bar	2 bar
	0 to 4 mH ₂ O (0 to 12 ftH ₂ O)	29 psi 20 mH ₂ O (66 ftH ₂ O)
	0 to 0.5 bar	2 bar
	0 to 5 mH ₂ O (0 to 15 ftH ₂ O)	29 psi 20 mH ₂ O (66 ftH ₂ O)
	0 to 0.6 bar	2 bar
	0 to 6 mH ₂ O (0 to 18 ftH ₂ O)	29 psi 20 mH ₂ O (66 ftH ₂ O)
	0 to 1 bar	5 bar
	0 to 10 mH ₂ O (0 to 30 ftH ₂ O)	72 psi 51 mH ₂ O (167 ftH ₂ O)
	0 to 2 bar	10 bar
	0 to 20 mH ₂ O (0 to 60 ftH ₂ O)	145 psi 102 mH ₂ O (334 ftH ₂ O)
	0 to 4 bar	20 bar
	0 to 40 mH ₂ O (0 to 120 ftH ₂ O)	204 mH ₂ O (669 ftH ₂ O)

2-wire output

Output signal	4 ... 20 mA
Load	Resistor R [Ω]

$$R_{\max} = \frac{U_H - 10 \text{ V}}{0,02 \text{ A}}$$

R_{max} is the maximum resistance of the supply line

U _H	Auxiliary power supply in V
----------------	-----------------------------

Measuring accuracy (according to EN 60770-2)

Reference conditions	<ul style="list-style-type: none">• Rising characteristic curve• Start-of-scale 0 bar• Room temperature 25 °C (77 °F)• Rated voltage 24 V DC
Measurement deviation with limit setting, including hysteresis and for repeatability for measuring range	0.15% of full-scale value (typical) 0.3% of full-scale value (maximum)
Effect of ambient temperature	

Measuring accuracy (according to EN 60770-2)	
Zero point and measuring range	0.05% of measuring range per 10K
Long-term stability	
Zero point and measuring range	0.15% of full-scale value/year
Effect of auxiliary power supply	0.01% per 1 V voltage change
Rated conditions	
Installation conditions	
Ambient conditions	
• Ambient temperature	-10 ... +80 °C (-4 ... +176 °F)
– Altitude	Max. 2 000 m above sea level
– Relative humidity	0 to 100%
Note	Observe the temperature class in hazardous areas.
Storage temperature	-20 to +80 °C (-4 to +176 °F)
• Degree of protection according to EN 60529	IP68
• Electromagnetic compatibility	
Interference emission and interference immunity	To EN 61326-1 and EN 61326-2-3
Process medium conditions	
• Process medium temperature	-10 ... +80 °C (-4 ... +176 °F)
Pressure transmitter construction	
Weight	
• Pressure transmitter	Approx. 0.4 kg (0.88 lb)
• Cable	0.08 kg/m (approx. 0.059 lb/ft)
Material	
• Wetted parts materials	
Housing	Stainless steel material No. 1.4404/316L or 1.4539/904L
Sensor	Ceramic Al ₂ O ₃ (99.6%)
Cable	PE-HD, FEP
Protective cover	PPE, ETFE, stainless steel (1.4404/316L or 1.4539/904L)
Sealing material	FPM, EPDM (for drinking water)
Electrical connection	Lengths: 3, 5, 10, 15, 20, 30, 40, 50, ..., 1000 m The maximum permissible cable length for devices with type of protection "Intrinsic safety Ex i" is 300 m.
Torque for cable gland nut made of	Plastic 2.5 Nm (1.8 ft lb)
Cable box 7MF1575-8AA construction (accessory)	
Field of application	For connecting the transmitter cable
Weight	0.2 kg (0.44 lb)
Electrical connection	2 x 3-way (cable diameter from 1 mm ² to 1.5 mm ²)




Cable box 7MF1575-8AA construction (accessory)

Cable entry	2 x Pg 13.5
Enclosure material	Polycarbonate
Vent pipe for atmospheric pressure	
Screw for bearer wire	
Torque for cable gland nut made of	Plastic 2.5 Nm (1.8 ft lb)
Rated conditions	
• Degree of protection according to EN 60 529	IP65

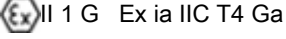
Anchor clamp 7MF1575-8AB construction (accessory)

Field of application	For fastening the transmitter
Weight	0.16 kg (0.35 lb)
Electrical connection	Galvanized steel, polyamide

Auxiliary power U_H

Terminal voltage at transmitter	 10 V DC to 30 V DC  10 V DC to 33 V DC 
Current consumption	< 20.5 mA
Reverse polarity protection	Yes

8.1 Certificates and approvals

Certificates and approvals	
Drinking water (ACS)	Available soon
Drinking water (WRAS)	Available soon
Drinking water (DVGW/ KTW W270)	Available soon
EAC	Available soon
Underwriters Laboratories (UL)	Available soon
Shipbuilding	Available soon
<ul style="list-style-type: none"> • GL • LR • DNV • BV • ABS 	
Explosion protection	
Intrinsic safety "i" Marking	
<ul style="list-style-type: none"> • ATEX • IEC Ex 	
Connection	To certified intrinsically safe circuit with the max. values: $U_i = 30 \text{ V}$, $I_i = 100 \text{ mA}$, $P_i = 750 \text{ mW}$
Effective internal capacitance	$C_i = 2 \text{ nF} + 0.204 \text{ nF}$ (per meter supply line on the pressure transmitter)
Effective internal inductance	$L_i = 8 \text{ }\mu\text{H} + 1.48 \text{ }\mu\text{H}$ (per meter supply line on the pressure transmitter)
EAC Ex	Available soon

9 Dimensional drawings

Pressure transmitter

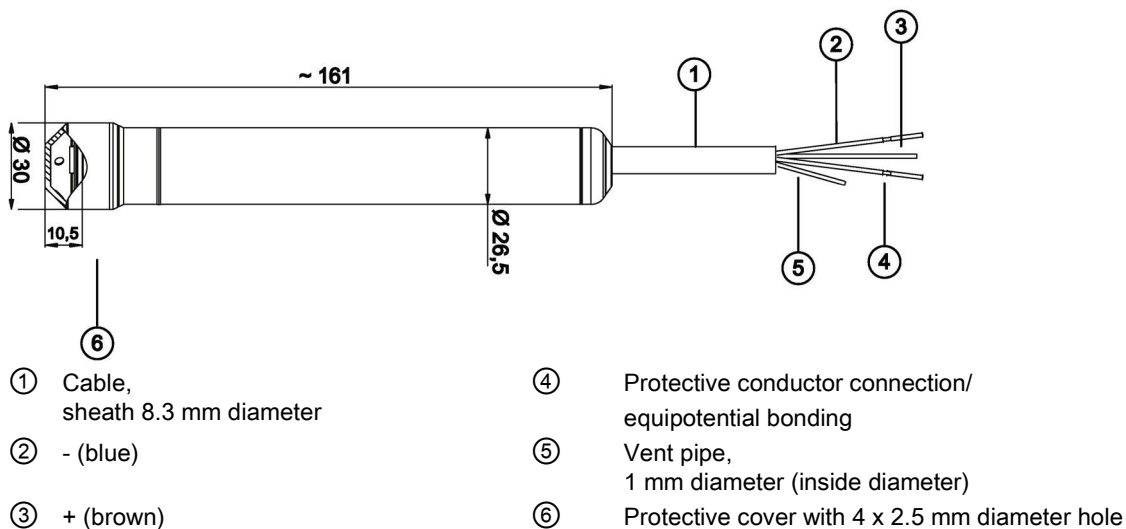
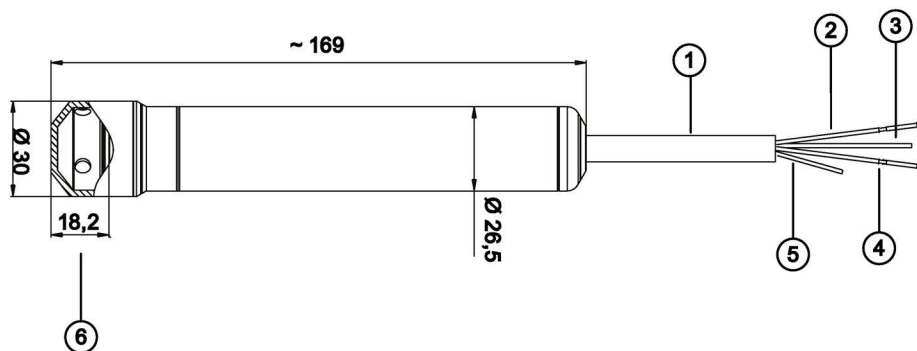


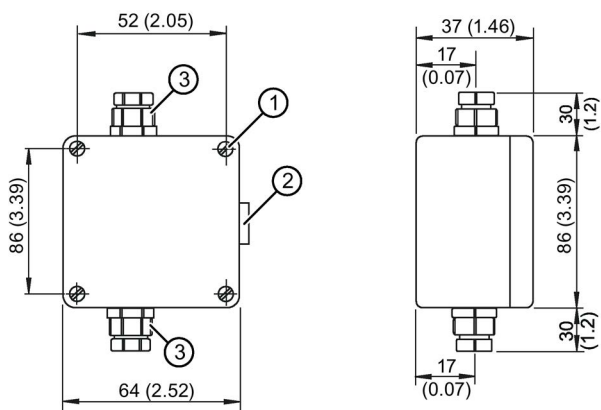
Figure 9-1 Pressure transmitter with protective cover made of PPE/ETFE, dimensions in mm



- ① Cable, sheath 8.3 mm diameter
- ② - (blue)
- ③ + (Brown)
- ④ Protective conductor connection/ Equipotential bonding
- ⑤ Vent pipe, 1 mm diameter (inside diameter)
- ⑥ Protective cover with 4 x 5 mm diameter hole

Figure 9-2 Pressure transmitter with protective cover made of stainless steel, dimensions in mm

Cable box



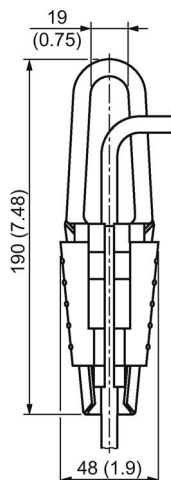
- ① Fastening hole
- ② Vent valve
- ③ Screwed gland Pg 13.5

Figure 9-3 Cable box, dimensions in mm (inches)

Anchor clamp



Anchor clamp, dimensions in mm (inches)



A Appendix A

A.1 Technical support

Technical Support

If this documentation does not provide complete answers to any technical questions you may have, contact Technical Support at:

- Support request (<http://www.siemens.com/automation/support-request>)
- More information about our Technical Support is available at Technical support (<http://www.siemens.com/automation/csi/service>)

Internet Service & Support

In addition to our documentation, Siemens provides a comprehensive support solution at:

- Service&Support (<http://www.siemens.com/automation/service&support>)

Personal contact

If you have additional questions about the device, please contact your Siemens personal contact at:

- Partner (<http://www.automation.siemens.com/partner>)

In order to find the contact for your product, select under 'All Products and Branches' the path 'Automation Technology > Sensor Systems'.

Documentation

You can find documentation on various products and systems at:

- Instructions and manuals Instructions and manuals (<http://www.siemens.com/processinstrumentation/documentation>)

See also

Product information on SITRANS P in the Internet (<http://www.siemens.com/sitransp>)

Process instrumentation catalog (<http://www.siemens.com/processinstrumentation/catalogs>)

E-mail (<mailto:support.automation@siemens.com>)

A.2 Certificates

You can find certificates on the Internet at Certificates (<http://www.siemens.com/processinstrumentation/certificates>) or on an included DVD.

Trademarks

All names identified by ® are registered trademarks of Siemens AG. The remaining trademarks in this publication may be trademarks whose use by third parties for their own purposes could violate the rights of the owner.

Disclaimer of Liability

We have reviewed the contents of this publication to ensure consistency with the hardware and software described. Since variance cannot be precluded entirely, we cannot guarantee full consistency. However, the information in this publication is reviewed regularly and any necessary corrections are included in subsequent editions.

Siemens AG
Division Process Industries and Drives
Postfach 48 48
90026 NÜRNBERG
GERMANY

SITRANS LH300 (7MF1575..) Transmitter for hydrostatic level
A5E37897183, 09/2016

SIEMENS

SITRANS

Druckmessumformer

SITRANS LH300 (7MF1575..) Messumformer für hydrostatischen Füllstand

Kompaktbetriebsanleitung

Rechtliche Hinweise

Warnhinweiskonzept

Dieses Handbuch enthält Hinweise, die Sie zu Ihrer persönlichen Sicherheit sowie zur Vermeidung von Sachschäden beachten müssen. Die Hinweise zu Ihrer persönlichen Sicherheit sind durch ein Warndreieck hervorgehoben, Hinweise zu alleinigen Sachschäden stehen ohne Warndreieck. Je nach Gefährdungsstufe werden die Warnhinweise in abnehmender Reihenfolge wie folgt dargestellt.

⚠ GEFAHR
bedeutet, dass Tod oder schwere Körperverletzung eintreten wird , wenn die entsprechenden Vorsichtsmaßnahmen nicht getroffen werden.

⚠ WARNUNG
bedeutet, dass Tod oder schwere Körperverletzung eintreten kann , wenn die entsprechenden Vorsichtsmaßnahmen nicht getroffen werden.

⚠ VORSICHT
bedeutet, dass eine leichte Körperverletzung eintreten kann, wenn die entsprechenden Vorsichtsmaßnahmen nicht getroffen werden.

ACHTUNG
bedeutet, dass Sachschaden eintreten kann, wenn die entsprechenden Vorsichtsmaßnahmen nicht getroffen werden.

Beim Auftreten mehrerer Gefährdungsstufen wird immer der Warnhinweis zur jeweils höchsten Stufe verwendet. Wenn in einem Warnhinweis mit dem Warndreieck vor Personenschäden gewarnt wird, dann kann im selben Warnhinweis zusätzlich eine Warnung vor Sachschäden angefügt sein.

Qualifiziertes Personal

Das zu dieser Dokumentation zugehörige Produkt/System darf nur von für die jeweilige Aufgabenstellung **qualifiziertem Personal** gehandhabt werden unter Beachtung der für die jeweilige Aufgabenstellung zugehörigen Dokumentation, insbesondere der darin enthaltenen Sicherheits- und Warnhinweise. Qualifiziertes Personal ist auf Grund seiner Ausbildung und Erfahrung befähigt, im Umgang mit diesen Produkten/Systemen Risiken zu erkennen und mögliche Gefährdungen zu vermeiden.

Bestimmungsgemäßer Gebrauch von Siemens-Produkten

Beachten Sie Folgendes:

⚠ WARNUNG
Siemens-Produkte dürfen nur für die im Katalog und in der zugehörigen technischen Dokumentation vorgesehenen Einsatzfälle verwendet werden. Falls Fremdprodukte und -komponenten zum Einsatz kommen, müssen diese von Siemens empfohlen bzw. zugelassen sein. Der einwandfreie und sichere Betrieb der Produkte setzt sachgemäßen Transport, sachgemäße Lagerung, Aufstellung, Montage, Installation, Inbetriebnahme, Bedienung und Instandhaltung voraus. Die zulässigen Umgebungsbedingungen müssen eingehalten werden. Hinweise in den zugehörigen Dokumentationen müssen beachtet werden.

1 Einleitung

1.1 Zweck dieser Dokumentation

Diese Anleitung enthält Informationen, die Sie für die Inbetriebnahme und die Nutzung des Geräts benötigen. Lesen Sie die Anleitung vor der Installation und Inbetriebnahme sorgfältig. Um eine sachgemäße Handhabung sicherzustellen, machen Sie sich mit der Funktionsweise des Geräts vertraut.


Die Anleitung richtet sich sowohl an Personen, die das Gerät mechanisch montieren, elektrisch anschließen, parametrieren und in Betrieb nehmen, als auch an Servicetechniker und Wartungstechniker.

Siehe auch

Technische Unterstützung (Seite 40)

1.2 Kontrolle der Lieferung


1. Prüfen Sie die Verpackung und die gelieferten Artikel auf sichtbare Schäden.
2. Melden Sie alle Schadenersatzansprüche unverzüglich dem Spediteur.
3. Bewahren Sie beschädigte Teile bis zur Klärung auf.
4. Prüfen Sie den Lieferumfang durch Vergleichen Ihrer Bestellung mit den Lieferpapieren auf Richtigkeit und Vollständigkeit.

 WARNUNG
Einsatz eines beschädigten oder unvollständigen Geräts Explosionsgefahr in explosionsgefährdeten Bereichen. <ul style="list-style-type: none">• Benutzen Sie keine beschädigten oder unvollständigen Geräte.

1.3 Transport und Lagerung

Um einen ausreichenden Schutz während des Transports und der Lagerung zu gewährleisten, beachten Sie Folgendes:

- Bewahren Sie die Originalverpackung für den Weitertransport auf.
- Senden Sie Geräte und Ersatzteile in der Originalverpackung zurück.
- Wenn die Originalverpackung nicht mehr vorhanden ist, sorgen Sie dafür, dass alle Sendungen durch die Ersatzverpackung während des Transports ausreichend geschützt sind. Für zusätzliche Kosten aufgrund von Transportschäden haftet Siemens nicht.

 VORSICHT
Unzureichender Schutz bei Lagerung Die Verpackung bietet nur eingeschränkten Schutz gegen Feuchtigkeit und Infiltration. <ul style="list-style-type: none">• Sorgen Sie gegebenenfalls für zusätzliche Verpackung.

Hinweise zu besonderen Bedingungen für Lagerung und Transport des Geräts finden Sie im Kapitel Technische Daten (Seite 35).

1.4 Hinweise zur Gewährleistung

Der Inhalt dieser Anleitung ist weder Teil einer früheren oder bestehenden Vereinbarung, Zusage oder eines früheren oder bestehenden Rechtsverhältnisses noch soll er diese abändern. Sämtliche Verpflichtungen der Siemens AG ergeben sich aus dem jeweiligen Kaufvertrag, der auch die vollständige und alleingültige Gewährleistungsregelung enthält. Diese vertraglichen Gewährleistungsbestimmungen werden durch die Ausführungen der Anleitung weder erweitert noch beschränkt.


Der Inhalt spiegelt den technischen Stand zum Zeitpunkt der Veröffentlichung wider. Technische Änderungen sind im Zuge der Weiterentwicklung vorbehalten.

2 Sicherheitshinweise

2.1 Voraussetzung für den sicheren Einsatz

Dieses Gerät hat das Werk in sicherheitstechnisch einwandfreiem Zustand verlassen. Um diesen Zustand zu erhalten und um einen gefahrlosen Betrieb des Geräts sicherzustellen, beachten Sie diese Anleitung und alle sicherheitsrelevanten Informationen.

Beachten Sie die Hinweise und Symbole am Gerät. Entfernen Sie keine Hinweise und Symbole vom Gerät. Halten Sie die Hinweise und Symbole stets in vollständig lesbarem Zustand.

Symbol	Erklärung
	Betriebsanleitung beachten

2.1.1 Gesetze und Bestimmungen

Beachten Sie bei Anschluss, Montage und Betrieb die für Ihr Land gültigen Prüfbescheinigungen, Bestimmungen und Gesetze. Dies sind zum Beispiel:

- National Electrical Code (NEC - NFPA 70) (USA)
- Canadian Electrical Code (CEC) (Canada)

Weitere Bestimmungen für Anwendungen in explosionsgefährdeten Bereichen sind z. B.:

- IEC 60079-14 (international)
- EN 60079-14 (EG)


2.1.2 Konformität mit europäischen Richtlinien

Die CE-Kennzeichnung auf dem Gerät zeigt die Konformität mit folgenden europäischen Richtlinien:

Elektromagnetische Verträglichkeit EMV 2014/30/EU	Richtlinie des Europäischen Parlaments und des Rats zur Harmonisierung der Rechtsvorschriften der Mitgliedstaaten über die elektromagnetische Verträglichkeit
Atmosphäre explosible ATEX 2014/34/EU	Richtlinie des Europäischen Parlaments und des Rats zur Harmonisierung der Rechtsvorschriften der Mitgliedstaaten für Geräte und Schutzsysteme zur bestimmungsgemäßen Verwendung in explosionsgefährdeten Bereichen

Die angewandten Normen finden Sie in der EG-Konformitätserklärung des Geräts.

2.2 Unsachgemäße Änderungen am Gerät

 WARNUNG
Unsachgemäße Änderungen am Gerät Durch Änderungen am Gerät, insbesondere in explosionsgefährdeten Bereichen, können Gefahren für Personal, Anlage und Umwelt entstehen. <ul style="list-style-type: none"> • Ändern Sie das Gerät nur wie in der Anleitung zum Gerät beschrieben. Bei Nichtbeachtung werden die Herstellergarantie und die Produktzulassungen unwirksam.

2.3 Anforderungen an besondere Einsatzfälle

Aufgrund der großen Anzahl möglicher Anwendungen enthält diese Anleitung nicht sämtliche Detailinformationen zu den beschriebenen Geräteausführungen und kann auch nicht jeden denkbaren Fall der Inbetriebnahme, des Betriebs, der Wartung oder des Betriebs in Anlagen berücksichtigen. Sollten Sie weitere Informationen wünschen, die in dieser Anleitung nicht enthalten sind, wenden Sie sich bitte an die örtliche Siemens-Niederlassung oder Ihren Siemens-Ansprechpartner.

Hinweis

Einsatz unter besonderen Umgebungsbedingungen

Insbesondere wird empfohlen, sich vor dem Einsatz des Geräts unter besonderen Umgebungsbedingungen, z. B. in Kernkraftwerken oder zu Forschungs- und Entwicklungszwecken, zunächst an Ihren Siemens-Vertreter oder unsere Applikationsabteilung zu wenden, um den betreffenden Einsatz zu erörtern.

2.4 Einsatz in explosionsgefährdeten Bereichen

2.4.1 Qualifiziertes Personal für Anwendungen in Ex-Bereichen

Qualifiziertes Personal für Anwendungen in explosionsgefährdeten Bereichen

Personen, die das Gerät im explosionsgefährdeten Bereich einbauen, anschließen, in Betrieb nehmen, bedienen und warten, müssen über folgende besondere Qualifikationen verfügen:

- Sie sind berechtigt und ausgebildet bzw. unterwiesen, Geräte und Systeme gemäß den Sicherheitsbestimmungen für elektrische Stromkreise, hohe Drücke sowie aggressive und gefährliche Medien zu bedienen und zu warten.
- Sie sind berechtigt und darin ausgebildet bzw. unterwiesen, Arbeiten an elektrischen Stromkreisen für explosionsgefährdete Anlagen durchzuführen.
- Sie sind in Pflege und Gebrauch angemessener Sicherheitsausrüstung gemäß den einschlägigen Sicherheitsbestimmungen ausgebildet bzw. unterwiesen.

WARNUNG

Ungeeignetes Gerät für den explosionsgefährdeten Bereich

Explosionsgefahr.

- Verwenden Sie nur Geräte, die für den Einsatz im vorgesehenen explosionsgefährdeten Bereich zugelassen und entsprechend gekennzeichnet sind.

Siehe auch

Technische Daten (Seite 35)

WARNUNG

Verlust der Sicherheit des Geräts mit Zündschutzart Eigensicherheit "Ex I"

Wenn das Gerät bereits an nicht eigensicheren Stromkreisen betrieben wurde oder die Angaben zu den elektrischen Daten nicht beachtet wurden, ist die Sicherheit des Geräts für den Einsatz in explosionsgefährdeten Bereichen nicht mehr gewährleistet. Es besteht Explosionsgefahr.

- Schließen Sie das Gerät mit der Zündschutzart Eigensicherheit ausschließlich an einen eigensicheren Stromkreis an.
- Beachten Sie die auf dem Zertifikat und/oder im Kapitel Technische Daten (Seite 35) spezifizierten elektrischen Daten.

3 Beschreibung

3.1 Anwendungsbereich

Der Druckmessumformer LH300 ist eine Brunnensonde zur hydrostatischen Füllstandmessung. Der Druckmessumformer misst den Flüssigkeitsstand in Becken, Behältern, Kanälen und Staudämmen.

Den Druckmessumformer gibt es für verschiedene Messbereiche und wahlweise mit Explosionsschutz. Für einen einfachen Einbau gibt es als Zubehör eine Kabeldose und eine Abspannklemme.

Der Druckmessumformer wird unter anderem in folgenden Industriebereichen eingesetzt:

- Wasserversorgung
- Zur Verwendung in drucklosen/offenen Behältern und Brunnen

3.2 Aufbau

Der Druckmessumformer hat einen eingebauten Keramik-Sensor, der mit einer Wheatstone'schen Widerstandsmessbrücke versehen ist.

Der Druckmessumformer ist mit einer Elektronik ausgerüstet, die zusammen mit dem Sensor in ein Gehäuse aus Edelstahl eingebaut ist. Im Anschlusskabel befindet sich außerdem ein Entlüftungsrohr.

Die Messmembran wird durch eine Schutzkappe vor äußeren Einflüssen wirksam geschützt.
 Der Sensor, die Elektronik und das Anschlusskabel sind in einem Gehäuse mit kleinen Abmessungen untergebracht.
 Der Druckmessumformer ist für einen weiten Temperaturbereich geeignet.

3.3 Aufbau Typschild

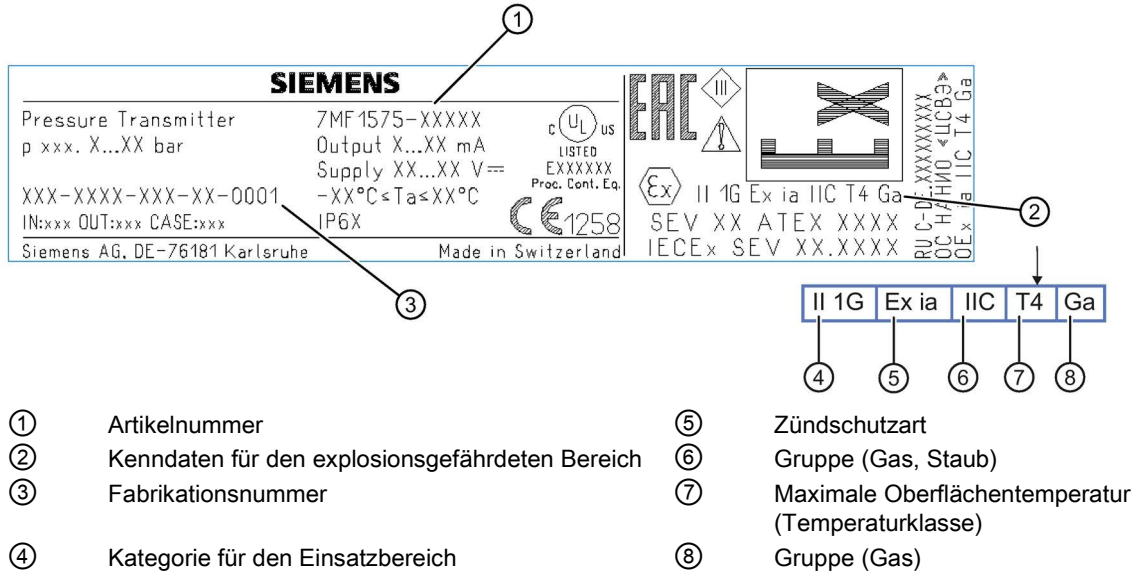


Bild 3-1 Beispiel für Typschild

Auf dem Druckmessumformer befindet sich das Typschild mit der Artikelnummer und weiteren wichtigen Angaben, wie Konstruktionsdetails und technische Daten.

Bei einer Ausführung des Messumformers für den explosionsgefährdeten Bereich sind auch die Informationen zum entsprechenden Zertifikat aufgelistet.

3.4 Arbeitsweise

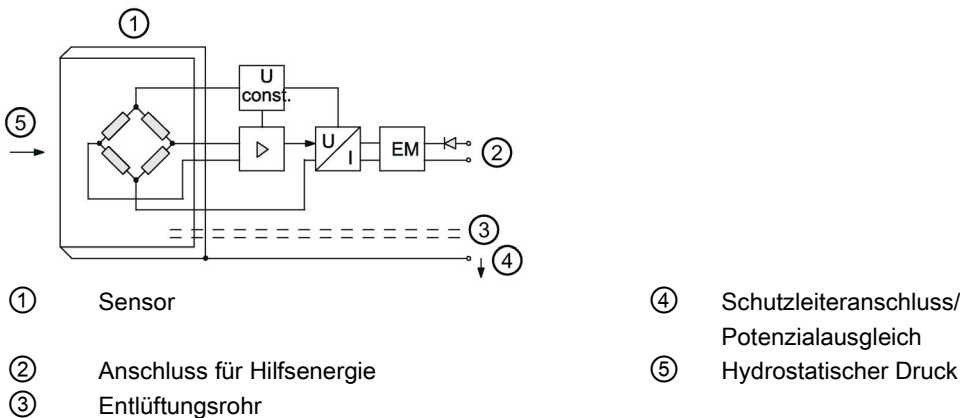


Bild 3-2 Druckmessumformer, Arbeitsweise und Anschlussschema

Auf einer Seite des Sensors ① steht die Membrane unter Einwirkung des hydrostatischen Druckes ⑤, welcher der Eintauchtiefe proportional ist. Dieser Druck wird mit dem atmosphärischen Druck verglichen. Der Druckausgleich erfolgt über das im Anschlusskabel befindliche Entlüftungsrohr ③.

Der hydrostatische Druck der Flüssigkeitssäule wirkt auf die Membrane des Sensors und überträgt den Druck auf die Wheatstone'schen Widerstandsmessbrücke im Sensor.

Das Ausgangs-Spannungssignal des Sensors wird der Elektronik zugeführt, wo es in ein Ausgangs-Stromsignal von 4 bis 20 mA umgewandelt wird.

Der Schutzleiteranschluss/Potenzialausgleich ④ ist an das Gehäuse angeschlossen.

4 Einbauen/Anbauen

4.1 Grundlegende Sicherheitshinweise

WARNUNG

Messstoffberührte Teile ungeeignet für Messstoff

Verletzungsgefahr und Geräteschaden.

Heiße, giftige und aggressive Messstoffe können freigesetzt werden, wenn der Messstoff nicht für die messstoffberührten Teile geeignet ist.

- Stellen Sie sicher, dass der Werkstoff der messstoffberührten Teile für den Messstoff geeignet ist. Beachten Sie die Angaben im Kapitel Technische Daten (Seite 35).

Hinweis

Werkstoffverträglichkeit

Siemens kann Sie bei der Auswahl der messstoffbenetzten Komponenten des Sensors unterstützen. Die Verantwortung für die Auswahl liegt jedoch vollständig bei Ihnen. Siemens übernimmt keine Haftung für Fehler oder Versagen aufgrund von Werkstoffunverträglichkeit.

4.1.1 Überschreitung des maximal zulässigen Betriebsdrucks

WARNUNG

Überschreitung des maximal zulässigen Betriebsdrucks

Verletzungs- und Vergiftungsgefahr.

Der maximal zulässige Betriebsdruck hängt von der Geräteausführung sowie den Druck- und Temperaturgrenzen ab. Wenn der maximal zulässige Betriebsdruck überschritten wird, kann das Gerät beschädigt werden. Heiße, giftige und aggressive Messstoffe können freigesetzt werden.

Stellen Sie sicher, dass der maximal zulässige Betriebsdruck des Geräts nicht überschritten wird. Beachten Sie die Angaben auf dem Typschild und/oder im Kapitel Technische Daten (Seite 35).

ACHTUNG

Einsatz eines Geräts bei gefrorenem Messstoff

Geräteschaden durch Eisbildung.

- Verhindern Sie Eisbildung am Druckmessumformer. Der Messstoff darf nicht einfrieren.

4.1.2 Sachgemäße Montage

ACHTUNG

Unsachgemäße Montage

Durch unsachgemäße Montage kann das Gerät beschädigt, zerstört oder die Funktionsweise beeinträchtigt werden.

- Vergewissern Sie sich vor jedem Einbau des Geräts, dass dieses keine sichtbaren Schäden aufweist.
- Vergewissern Sie sich, dass die Prozessanschlüsse sauber sind und geeignete Dichtungen und Kabelverschraubungen verwendet werden.
- Montieren Sie das Gerät mit geeignetem Werkzeug. Angaben zum erforderlichen Drehmoment bei der Installation finden Sie unter Technische Daten (Seite 35).

VORSICHT

Verlust der Zündschutzart

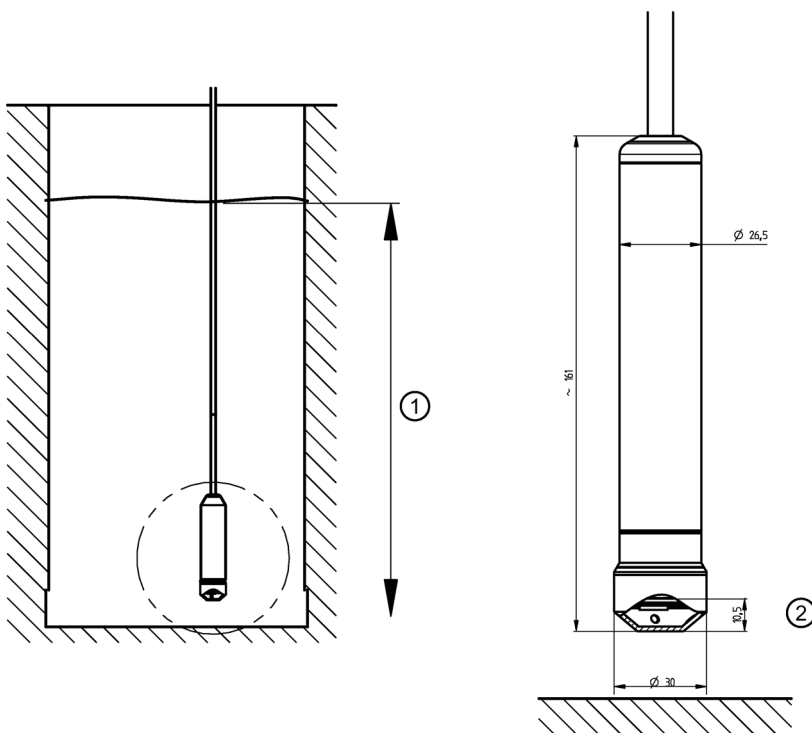
Geräteschaden durch geöffnetes oder nicht ordnungsgemäß verschlossenes Gehäuse. Die auf dem Typschild oder im Kapitel Technische Daten (Seite 35) angegebene Zündschutzart ist nicht mehr gewährleistet.

- Stellen Sie sicher, dass das Gerät sicher verschlossen ist.

Siehe auch

Einbauen/Anbauen (Seite 28)

4.2 Montieren

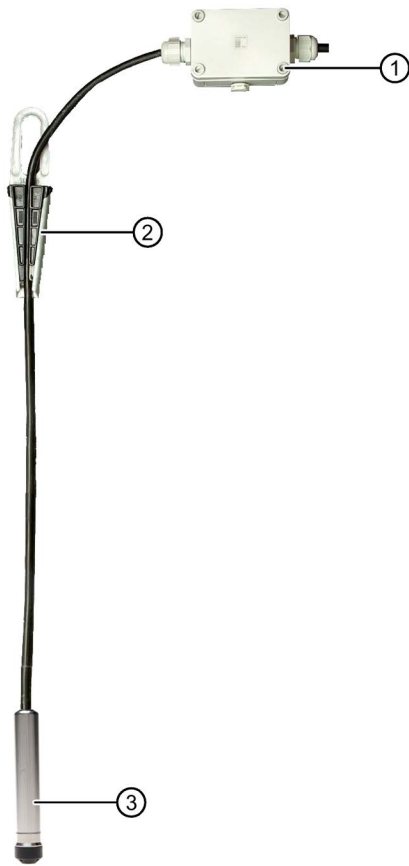


- ① Füllstand
- ② Messbezugshöhe

Bild 4-1 Druckmessumformer montieren (Beispiel mit Schutzkappe aus PPE)

1. Bauen Sie den Druckmessumformer am Kabel nach unten hängend ein.
2. Um Messfehler zu verhindern, befestigen Sie bei bewegten Messstoffen den Druckmessumformer.
3. Befestigen Sie den Druckmessumformer durch ein Führungsrohr oder ein zusätzliches Gewicht am Messumformer (max. Zugkraft am Anschlusskabel 360 N).
4. Befestigen Sie das Kabel über den Behälter mit der Abspannklemme.
5. Schließen Sie das Kabel selbst mit der Kabeldose an.
6. Montieren Sie die Kabeldose an einem ihrer Schutzart entsprechenden Ort (IP66) in der Nähe der Messstelle.
7. Um die einwandfreie Funktion zu gewährleisten, achten Sie darauf, dass die Eintrittsöffnungen an der Schutzkappe des Druckmessumformers nicht verschmutzen und der Messstoff am Druckmessumformer nicht einfriert.

4.3 Messstellenaufbau



- ① Kabeldose
- ② Abspannklemme

- ③ Druckmessumformer

Bild 4-2 Messstellenaufbau

4.4 Ermittlung des Messbereiches

Berechnung des Messbereichs bei Messstoffen mit einer Dichte $\rho = 1000 \text{ kg/m}^3$ (Messstoff \neq Wasser)

$$p = \rho \cdot g \cdot h$$

mit:

ρ = Dichte des Messstoffs

g = örtliche Erdbeschleunigung

h = maximaler Füllstand

5 Anschließen

5.1 Grundlegende Sicherheitshinweise

WARNUNG

Maximale Kabellänge für Geräte mit Zündschutzart Eigensicherheit "Ex i" überschritten

Explosionsgefahr in explosionsgefährdeten Bereichen.

Um die Anforderungen der Geräte mit Zündschutzart Eigensicherheit "Ex i" zu erfüllen, beachten Sie die maximal zulässige Kabellänge.

WARNUNG

Ungeeignete Kabel, Kabelverschraubungen und/oder Steckverbinder

Explosionsgefahr in explosionsgefährdeten Bereichen.

- Verwenden Sie ausschließlich Kabelverschraubungen/Steckverbinder, die den Anforderungen der relevanten Zündschutzart entsprechen.
- Ziehen Sie die Kabelverschraubung entsprechend den im Kapitel Technische Daten (Seite 35) angegebenen Drehmomenten an.
- Schließen Sie ungenutzte Kabelöffnungen für die elektrischen Anschlüsse.
- Verwenden Sie beim Austausch von Kabelverschraubungen nur Kabelverschraubungen gleicher Bauart.
- Prüfen Sie die Kabel nach der Installation auf festen Sitz.

WARNUNG

Unsachgemäße Stromversorgung

Explosionsgefahr in explosionsgefährdeten Bereichen und Verlust der Gerätesicherheit bei unsachgemäßer Stromversorgung, z. B. bei Verwendung von Gleichstrom an Stelle von Wechselstrom.

- Schließen Sie das Gerät entsprechend den vorgeschriebenen Versorgungs- und Signalstromkreisen an. Die betreffenden Vorschriften finden Sie in den Zertifikaten, im Kapitel "Technische Daten (Seite 35)" bzw. auf dem Typschild.
- Versorgen Sie das Gerät nur mit begrenzter Energie. Beachten Sie zur begrenzten Energie folgende Normen: UL61010-1 3rd Edition, Kapitel 9.3 oder LPS (Low Power Supply) in Übereinstimmung mit UL60950-1 oder Klasse 2 in Abstimmung mit UL1310 oder UL1585.

WARNUNG

Unsichere Kleinspannungsversorgung

Explosionsgefahr in explosionsgefährdeten Bereichen durch Spannungsüberschlag.

- Schließen Sie das Gerät an eine Kleinspannungsversorgung mit sicherer Trennung (SELV) an.

WARNUNG

Fehlender Potenzialausgleich

Bei fehlendem Potenzialausgleich Explosionsgefahr in explosionsgefährdeten Bereichen durch Ausgleichsstrom oder Zündfunken.

- Stellen Sie sicher, dass für das Gerät ein Potenzialausgleich vorhanden ist.

Ausnahme: Bei Geräten der Zündschutzart Eigensicherheit "Ex i" kann ggf. auf den Anschluss des Potenzialausgleichs verzichtet werden.

WARNUNG

Ungeschützte Leitungsenden

Explosionsgefahr in explosionsgefährdeten Bereichen durch ungeschützte Leitungsenden.

- Schützen Sie nicht benutzte Leitungsenden gemäß IEC/EN 60079-14.

! WARNUNG

Unsachgemäße Verlegung geschirmter Leitungen

Explosionsgefahr durch Ausgleichsströme zwischen dem explosionsgefährdeten Bereich und dem nicht explosionsgefährdeten Bereich.

- Geschirmte Kabel, die explosionsgefährdete Bereiche kreuzen, sollten an nur einem Ende geerdet werden.
- Bei beidseitiger Erdung müssen Sie einen Potenzialausgleichsleiter verlegen.

! WARNUNG

Anschließen des Geräts unter Spannung

Explosionsgefahr in explosionsgefährdeten Bereichen.

- Schließen Sie Geräte in explosionsgefährdeten Bereichen nur im spannungslosen Zustand an.

Ausnahmen:

- Geräte der Zündschutzart Eigensicherheit "Ex i" dürfen auch unter Spannung in explosionsgefährdeten Bereichen angeschlossen werden.
- Für Zündschutzart "nicht funkend" nA (Zone 2) sind Ausnahmen im entsprechenden Zertifikat geregelt.

Hinweis

Elektromagnetische Verträglichkeit (EMV)

Dieses Gerät kann in industriellen Umgebungen, in einer Haushaltsumgebung und in kleingewerblicher Umgebung eingesetzt werden.

Metallgehäuse weisen eine erhöhte elektromagnetische Verträglichkeit gegenüber Hochfrequenzstrahlung auf. Dieser Schutz gegen Hochfrequenzstrahlung kann durch Erdung des Gehäuses erhöht werden - siehe Anschließen (Seite 31).

Hinweis

Verbesserung der Störsicherheit

- Verlegen Sie Signalkabel getrennt von Leitungen mit Spannungen > 60 V.
- Verwenden Sie Kabel mit verdrehten Adern.
- Halten Sie mit dem Gerät und den Kabeln Abstand zu starken elektromagnetischen Feldern.

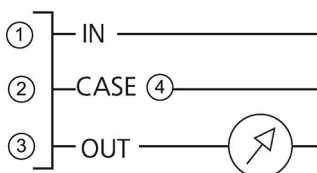
5.2 Gerät anschließen

Vorgehensweise

Schließen Sie den Druckmessumformer an die Kabeldose wie folgt an:

1. Schließen Sie das Kabel des Druckmessumformers an die Klemmen 1 (-), 2 (+) und an die Erdung an.
2. Führen Sie das Entlüftungsrohr in die Kabeldose ein.

Das Entlüftungsrohr muss in Verbindung mit der Atmosphäre stehen. Dazu dient der wasserdichte Filter, der sich am Gehäuse der Kabeldose befindet.



① Braun

② Schwarz

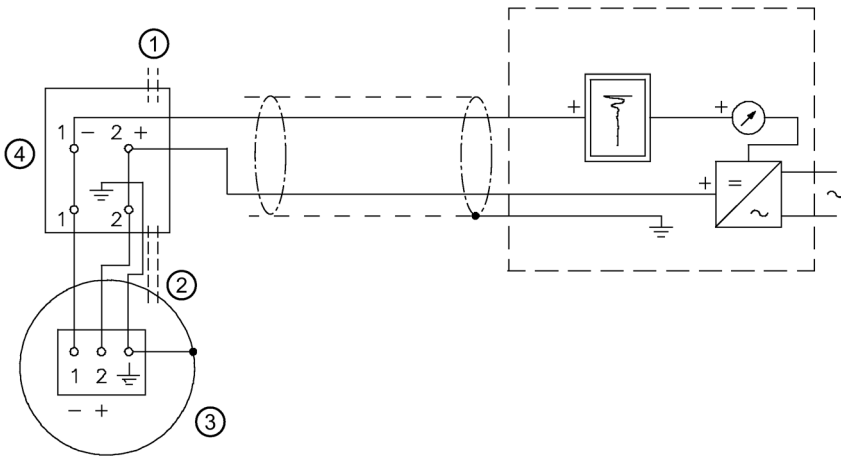
③ Blau

④ Schutzleiteranschluss/Potenzialausgleich

Bild 5-1 Elektrischer Anschluss

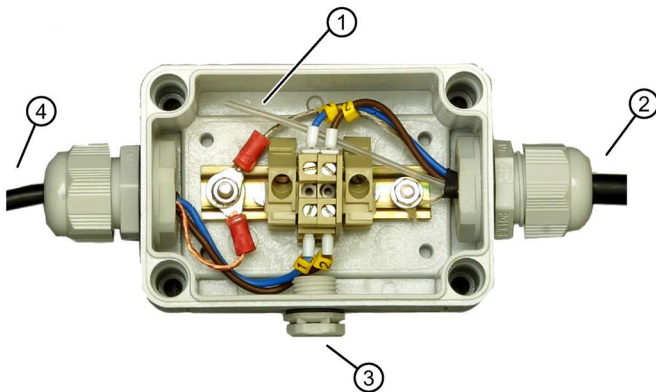
Beispiel

Für Anwendungen in nicht explosionsgefährdeten Bereichen können Sie den Druckmessumformer wie folgt anschließen:



- | | | | |
|---|------------------|---|--------------|
| ① | Atmosphärendruck | ③ | Messumformer |
| ② | Entlüftungsrohr | ④ | Kabeldose |

Bild 5-2 Anschlusschema



- | | | | |
|---|---------------------------------------|---|--------------------------|
| ① | Entlüftungsrohr oder Entlüftungsrohre | ③ | Kabeldosenentlüftung |
| ② | Zum Messumformer | ④ | Zur Messwertverarbeitung |

Bild 5-3 Kabeldose, geöffnet

6 Inbetriebnehmen

6.1 Grundlegende Sicherheitshinweise

WARNUNG

Unsachgemäße Inbetriebnahme in explosionsgefährdeten Bereichen

Gefahr eines Gerätefehlers oder Explosionsgefahr in explosionsgefährdeten Bereichen.

- Nehmen Sie das Gerät erst in Betrieb, nachdem es entsprechend den Hinweisen im Kapitel Technische Daten (Seite 35) vollständig eingebaut und angeschlossen wurde.
- Berücksichtigen Sie vor der Inbetriebnahme die Auswirkungen anderer Geräte in der Anlage auf dieses Gerät.

6.2 Kalibrieren

Der Druckmessumformer wurde im Herstellerwerk auf den Messbereich kalibriert und kann nicht nachkalibriert werden.

7 Instandhalten und Warten

7.1 Grundlegende Sicherheitshinweise

Hinweis

Das Gerät ist wartungsfrei.

WARNUNG

Unzulässige Reparatur von Geräten in explosionsgeschützter Ausführung

Explosionsgefahr in explosionsgefährdeten Bereichen.

- Reparaturarbeiten dürfen nur durch von Siemens autorisiertes Personal durchgeführt werden.

WARNUNG

Nutzung eines Computers in einem explosionsgefährdeten Bereich

Wenn die Schnittstelle zum Computer in einem explosionsgefährdeten Bereich verwendet wird, besteht Explosionsgefahr.

- Sorgen Sie für eine explosionsfreie Atmosphäre (Feuererlaubnisschein).

7.2 Kalibrieren

Der Druckmessumformer wurde im Herstellerwerk auf den Messbereich kalibriert und kann nicht nachkalibriert werden.

7.3 Wartungs- und Reparaturarbeiten

WARNUNG

Unzulässiges Zubehör und Ersatzteile

Explosionsgefahr in explosionsgefährdeten Bereichen.

- Verwenden Sie ausschließlich Originalzubehör und Originalersatzteile.
- Beachten Sie alle relevanten Installations- und Sicherheitsanweisungen, die in den Anleitungen zum Gerät beschrieben sind oder mit dem Zubehör oder Ersatzteil mitgeliefert werden.

ACHTUNG

Fehlmessung durch Verschmutzung

Der Druckmessumformer kann durch den Messstoff verschmutzen.

- Verhindern Sie, dass die Eintrittsöffnungen an der Schutzkappe des Druckmessumformers verschmutzen.

7.4 Rücksendeverfahren

Bringen Sie den Lieferschein, den Rückwaren-Begleitschein und die Dekontaminations-Erklärung in einer gut befestigten Klarsichttasche außerhalb der Verpackung an.

Benötigte Formulare

- Lieferschein
- Rückwaren-Begleitschein (<http://www.siemens.de/prozessinstrumentierung/rueckwaren-begleitschein>) mit folgenden Angaben:
 - Produkt (Artikelbezeichnung)
 - Anzahl der zurückgesendeten Geräte/Ersatzteile
 - Grund für die Rücksendung
- Dekontaminationserklärung (<http://www.siemens.de/sc/dekontaminationserklaerung>)

Mit dieser Erklärung versichern Sie, "dass das Gerät/Ersatzteil sorgfältig gereinigt wurde und frei von Rückständen ist. Von dem Gerät/Ersatzteil geht keine Gefahr für Mensch und Umwelt aus."

Wenn das zurückgesendete Gerät/Ersatzteil mit giftigen, ätzenden, entflammaren oder Wasser verunreinigenden Substanzen in Kontakt gekommen ist, müssen Sie das Gerät/Ersatzteil, bevor Sie es zurücksenden, durch Reinigung und Dekontaminierung sorgfältig säubern, damit alle Hohlräume frei von gefährlichen Substanzen sind. Kontrollieren Sie abschließend die durchgeführte Reinigung.

Zurückgesendete Geräte/Ersatzteile, denen keine Dekontaminations-Erklärung beigelegt ist, werden vor einer weiteren Bearbeitung auf Ihre Kosten fachgerecht gereinigt.

7.5 Entsorgung



Geräte, die mit diesem Symbol gekennzeichnet sind, dürfen gemäß Richtlinie 2012/19/EG über Elektro- und Elektronik-Altgeräte (WEEE) nicht über kommunale Entsorgungsbetriebe entsorgt werden.

Sie können an den Lieferanten innerhalb der EG zurückgesendet oder an einen örtlich zugelassenen Entsorgungsbetrieb zurückgegeben werden. Beachten Sie die in Ihrem Land geltenden Vorschriften.

Ausführlichere Informationen über Geräte, die Batterien enthalten, finden Sie unter: Informationen zur Batterie-/Produktrückgabe (WEEE) (<https://support.industry.siemens.com/cs/document/109479891/>)

Hinweis

Gesonderte Entsorgung erforderlich

Das Gerät enthält Bestandteile, die gesondert zu entsorgen sind.

- Entsorgen Sie das Gerät über einen örtlichen Entsorger korrekt und umweltgerecht.

8 Technische Daten

Eingang Relativdruck

Messgröße	Hydrostatischer Füllstand	
Messbereich, max. zulässiger	Messbereich	Max. zulässiger Betriebsdruck MAWP (PS)

Eingang Relativdruck		
Betriebsdruck (gemäß 97/23/EG Druckgeräterichtlinie) und max. zulässiger Prüfdruck (gemäß DIN 16086)	0...0,1 bar	1,5 bar
	0...1 mH ₂ O (0...3 ftH ₂ O)	15 mH ₂ O (45 ftH ₂ O)
	0...0,2 bar	1,5 bar
	0...2 mH ₂ O	15 mH ₂ O (45 ftH ₂ O)
	0... 0,3 bar	1,5 bar
	0...3 mH ₂ O (0...9 ftH ₂ O)	21,8 psi 15 mH ₂ O (45 ftH ₂ O)
	0... 0,4 bar	2 bar
	0...4 mH ₂ O (0...12 ftH ₂ O)	29 psi 20 mH ₂ O (66 ftH ₂ O)
	0... 0,5 bar	2 bar
	0...5 mH ₂ O (0...15 ftH ₂ O)	29 psi 20 mH ₂ O (66 ftH ₂ O)
0... 0,6 bar	2 bar	
0...6 mH ₂ O (0...18 ftH ₂ O)	29 psi 20 mH ₂ O (66 ftH ₂ O)	
0... 1 bar	5 bar	
0...10 mH ₂ O (0...30 ftH ₂ O)	72 psi 51 mH ₂ O (167 ftH ₂ O)	
0... 2 bar	10 bar	
0...20 mH ₂ O (0...60 ftH ₂ O)	145 psi 102 mH ₂ O (334 ftH ₂ O)	
0... 4 bar	20 bar	
0...40 mH ₂ O (0...120 ftH ₂ O)	204 mH ₂ O (669 ftH ₂ O)	
Ausgang 2-Leiter		
Ausgangssignal	4 ... 20 mA	
Bürde	Widerstand R [Ω]	
	$R_{\max} = \frac{U_H - 10 \text{ V}}{0,02 \text{ A}}$	
	Rmax ist der maximale Widerstand der Zuleitung	
U _H	Hilfsenergie in V	
Messgenauigkeit (nach EN 60770-2)		
Referenzbedingungen	<ul style="list-style-type: none"> • Steigende Kennlinie • Messanfang 0 bar • Raumtemperatur 25 °C (77 °F) • Nennspannung 24 V DC 	
Messabweichung bei Grenzpunkteinstellung, inklusive Hysterese und für Wiederholbarkeit für Messbereich	0,15 % vom Messbereichsendwert (typisch) 0,3 % vom Messbereichsendwert (maximal)	
Einfluss der Umgebungstemperatur		

Messgenauigkeit (nach EN 60770-2)	
Nullpunkt und Messbereich	0,05 % vom Messbereich pro 10K
Langzeitstabilität	
Nullpunkt und Messbereich	0,15 % vom Messbereichsendwert pro Jahr
Einfluss Hilfsenergie	0,01 % pro 1V Spannungsänderung
Einsatzbedingungen	
Einbaubedingungen	
Umgebungsbedingungen	
• Umgebungstemperatur	-10 ... +80 °C (-4 ... +176 °F)
– Höhe	max. 2 000 m NN
– Relative Luftfeuchte	0 ... 100 %
Hinweis	Beachten Sie in explosionsgefährdeten Bereichen die Temperaturklasse.
Lagerungstemperatur	-20 ... +80 °C (-4 ... +176 °F)
• Schutzart nach EN 60529	IP68
• Elektromagnetische Verträglichkeit	
Störaussendung und Störfestigkeit	Nach EN 61326-1 und EN 61326-2-3
Messstoffbedingungen	
• Messstofftemperatur	-10 ... +80 °C (-4 ... +176 °F)
Konstruktiver Aufbau Druckmessumformer	
Gewicht	
• Druckmessumformer	Ca. 0,4 kg (0.88 lb)
• Kabel	0,08 kg/m (ca. 0.059 lb/ft)
Werkstoff	
• Werkstoff messstoffberührter Teile	
Gehäuse	Edelstahl Werkstoff-Nr. 1.4404/316L oder 1.4539/904L
Sensor	Keramik Al ₂ O ₃ (99,6 %)
Kabel	PE-HD, FEP
Schutzkappe	PPE, ETFE, Edelstahl (1.4404/316L oder 1.4539/904L)
Dichtmaterial	FPM, EPDM (für Trinkwasser)
Elektrischer Anschluss	Längen: 3, 5, 10, 15, 20, 30, 40, 50, ..., 1000 m Die max. zulässige Kabellänge für Geräte mit Zündschutzart Eigensicherheit "Ex i" ist 300 m.
Drehmoment Überwurfmutter bei Kabelverschraubung aus	Kunststoff 2,5 Nm (1.8 ft lb)
Konstruktiver Aufbau Kabeldose 7MF1575-8AA (Zubehör)	
Anwendungsbereich	Für den Anschluss des Messumformerkabels
Gewicht	0,2 kg (0,44 lb)
Elektrischer Anschluss	2 x 3-fach (Kabeldurchmesser von 1 mm ² bis 1,5 mm ²)
Kabeleinführung	2 x Pg 13,5
Gehäusewerkstoff	Polycarbonat

Konstruktiver Aufbau Kabeldose 7MF1575-8AA (Zubehör)

Entlüftungsrrohr für
atmosphärischen Druck

Schraube für Tragseil

Drehmoment Überwurfmutter Kunststoff
bei Kabelverschraubung aus 2,5 Nm (1.8 ft lb)

Einsatzbedingungen

- Schutzart nach EN 60 529 IP65
-

Konstruktiver Aufbau Abspannklemme 7MF1575-8AB (Zubehör)

Anwendungsbereich Zur Befestigung des Messumformers

Gewicht 0,16 kg (0,35 lb)

Elektrischer Anschluss Stahl verzinkt, Polyamid

Hilfsenergie U_H

Klemmenspannung am  DC 10 V ... 30 V 
Messumformer DC 10 V ... 33 V 

Stromaufnahme < 20,5 mA

Verpolungsschutz Ja

8.1 Zertifikate und Zulassungen

Zertifikate und Zulassungen

Trinkwasser (ACS) in Vorbereitung

Trinkwasser (WRAS) in Vorbereitung

Trinkwasser (DVGW/ KTW W270) in Vorbereitung


EAC in Vorbereitung

Underwriters Laboratories (UL) in Vorbereitung

Schiffbau in Vorbereitung

- GL
 - LR
 - DNV
 - BV
 - ABS
-

Explosionsschutz

Eigensicherheit Kennzeichnung
"I"  II 1 G Ex ia IIC T4 Ga

- ATEX
 - IEC Ex
-

Anschluss An bescheinigten eigensicheren Stromkreis mit den Höchstwerten:
U_i = 30 V, I_i = 100 mA,
P_i = 750 mW

Wirksame innere C_i = 2 nF + 0,204 nF (pro Meter Zuleitung am Druckmessumformer)
Kapazität

Wirksame innere L_i = 8 µH + 1,48 µH (pro Meter Zuleitung am Druckmessumformer)
Induktivität

EAC Ex in Vorbereitung

9 Maßbilder

Druckmessumformer

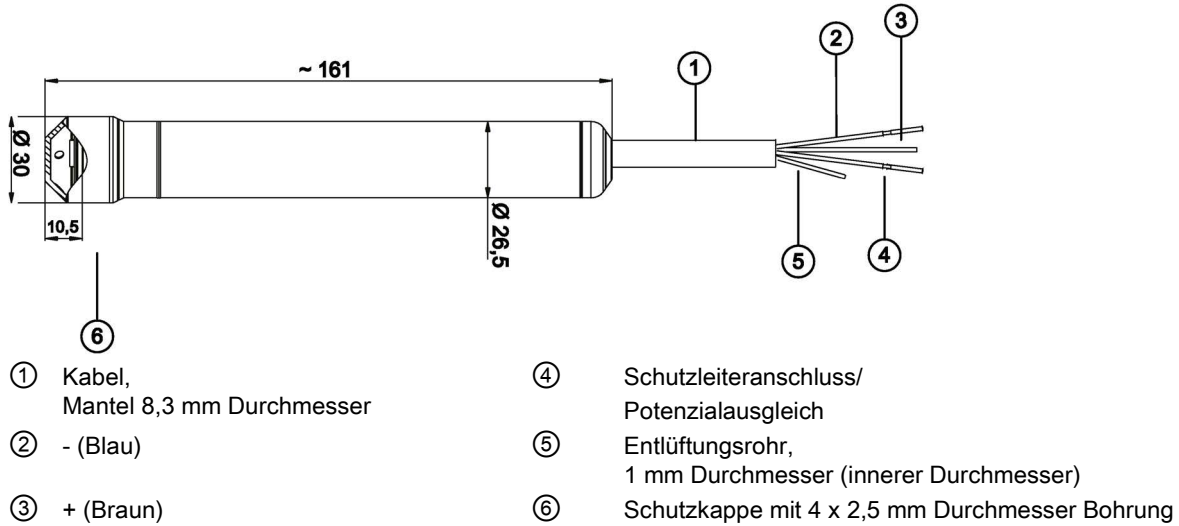


Bild 9-1 Druckmessumformer mit Schutzkappe aus PPE/ETFE, Maße in mm

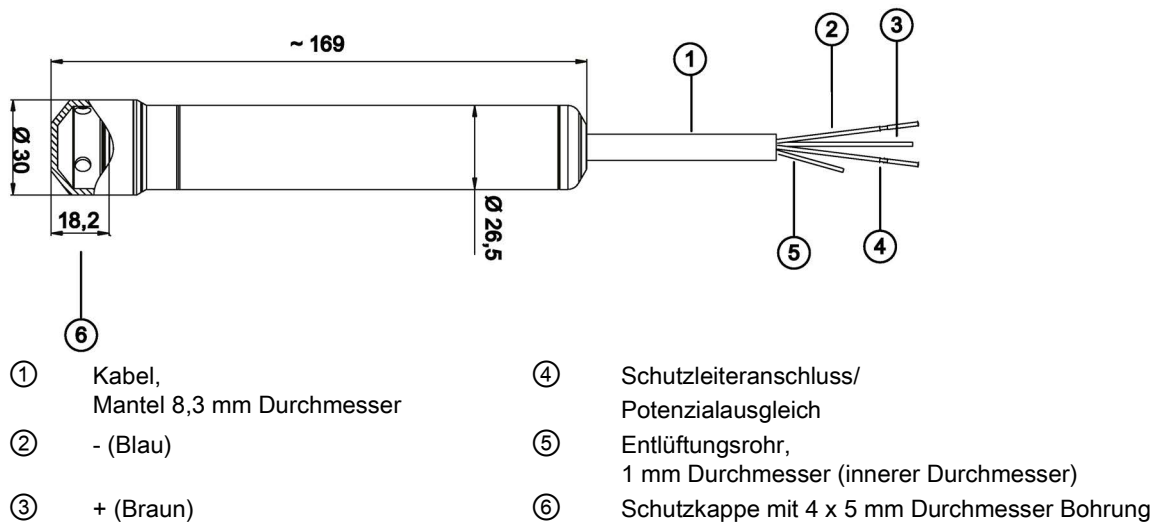
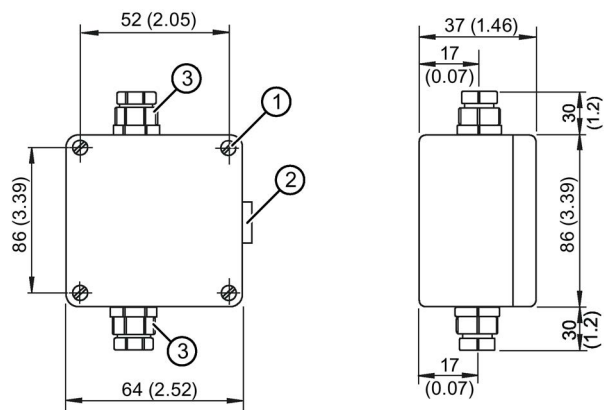


Bild 9-2 Druckmessumformer mit Schutzkappe aus Edelstahl, Maße in mm

Kabeldose



- ① Befestigungsbohrung
- ② Entlüftungsventil

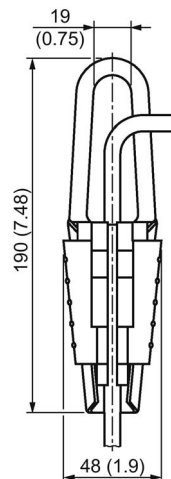
- ③ Verschraubung Pg 13,5

Bild 9-3 Kabeldose, Maße in mm (inch)

Abspannklemme



Abspannklemme, Maße in mm (inch)



A Anhang A

A.1 Technische Unterstützung

Technical Support

Falls diese Dokumentation Ihre technischen Fragen nicht vollständig beantwortet, wenden Sie sich an den technischen Support unter:

- Support Request (<http://www.siemens.de/automation/support-request>)
- Weitere Informationen zu unserem technischen Support finden Sie unter Technischer Support (<http://www.siemens.de/automation/csi/service>)

Service & Support im Internet

Zusätzlich zu unserem Dokumentationsangebot bietet Siemens eine umfassende Support-Lösung unter:

- Service&Support (<http://www.siemens.de/automation/service&support>)

Ansprechpartner

Wenn Sie weitere Fragen zum Gerät haben, wenden Sie sich bitte an Ihre Siemens-Vertretung vor Ort.

- Partner (<http://www.automation.siemens.com/partner>)

Um den Ansprechpartner für Ihr Produkt zu finden, wählen Sie den Pfad 'Automatisierungstechnik > Sensorsystem' unter 'Alle Produkte und Branchen'.

Dokumentation

Dokumentation zu den verschiedenen Produkten und Systemen finden Sie unter:

- Anleitungen und Handbücher Anleitungen und Handbücher (<http://www.siemens.de/prozessinstrumentierung/dokumentation>)

Siehe auch

Produktinformation SITRANS P im Internet (<http://www.siemens.de/sitransp>)

Katalog Prozessinstrumentierung (<http://www.siemens.de/prozessinstrumentierung/kataloge>)

Email (<mailto:support.automation@siemens.com>)

A.2 Zertifikate

Zertifikate finden Sie im Internet unter Zertifikate (<http://www.siemens.de/prozessinstrumentierung/zertifikate>) oder auf einer beiliegenden DVD.

Marken

Alle mit dem Schutzrechtsvermerk ® gekennzeichneten Bezeichnungen sind eingetragene Marken der Siemens AG. Die übrigen Bezeichnungen in dieser Schrift können Marken sein, deren Benutzung durch Dritte für deren Zwecke die Rechte der Inhaber verletzen kann.

Haftungsausschluss

Wir haben den Inhalt der Druckschrift auf Übereinstimmung mit der beschriebenen Hard- und Software geprüft. Dennoch können Abweichungen nicht ausgeschlossen werden, so dass wir für die vollständige Übereinstimmung keine Gewähr übernehmen. Die Angaben in dieser Druckschrift werden regelmäßig überprüft, notwendige Korrekturen sind in den nachfolgenden Auflagen enthalten.

Siemens AG
Division Process Industries and Drives
Postfach 48 48
90026 NÜRNBERG
DEUTSCHLAND

SITRANS LH300 (7MF1575..) Messumformer für hydrostatischen Füllstand
A5E37897183, 09/2016

SIEMENS

SITRANS

Transmetteur de pression

SITRANS LH300 (7MF1575..) Transmetteur pour la mesure de niveau hydrostatique

Notice de service

Mentions légales

Signalétique d'avertissement

Ce manuel donne des consignes que vous devez respecter pour votre propre sécurité et pour éviter des dommages matériels. Les avertissements servant à votre sécurité personnelle sont accompagnés d'un triangle de danger, les avertissements concernant uniquement des dommages matériels sont dépourvus de ce triangle. Les avertissements sont représentés ci-après par ordre décroissant de niveau de risque.

DANGER

signifie que la non-application des mesures de sécurité appropriées **entraîne** la mort ou des blessures graves.

ATTENTION

signifie que la non-application des mesures de sécurité appropriées **peut entraîner** la mort ou des blessures graves.

PRUDENCE

signifie que la non-application des mesures de sécurité appropriées peut entraîner des blessures légères.

IMPORTANT

signifie que la non-application des mesures de sécurité appropriées peut entraîner un dommage matériel.

En présence de plusieurs niveaux de risque, c'est toujours l'avertissement correspondant au niveau le plus élevé qui est reproduit. Si un avertissement avec triangle de danger prévient des risques de dommages corporels, le même avertissement peut aussi contenir un avis de mise en garde contre des dommages matériels.

Personnes qualifiées

L'appareil/le système décrit dans cette documentation ne doit être manipulé que par du **personnel qualifié** pour chaque tâche spécifique. La documentation relative à cette tâche doit être observée, en particulier les consignes de sécurité et avertissements. Les personnes qualifiées sont, en raison de leur formation et de leur expérience, en mesure de reconnaître les risques liés au maniement de ce produit / système et de les éviter.

Utilisation des produits Siemens conforme à leur destination

Tenez compte des points suivants:

ATTENTION

Les produits Siemens ne doivent être utilisés que pour les cas d'application prévus dans le catalogue et dans la documentation technique correspondante. S'ils sont utilisés en liaison avec des produits et composants d'autres marques, ceux-ci doivent être recommandés ou agréés par Siemens. Le fonctionnement correct et sûr des produits suppose un transport, un entreposage, une mise en place, un montage, une mise en service, une utilisation et une maintenance dans les règles de l'art. Il faut respecter les conditions d'environnement admissibles ainsi que les indications dans les documentations afférentes.

1 Introduction

1.1 Objet de cette documentation

Ces instructions contiennent toutes les informations nécessaires à la mise en service et à l'utilisation de l'appareil. Lisez attentivement ces instructions avant l'installation et la mise en service. Pour une utilisation correcte de l'appareil, réexaminez tout d'abord son principe de fonctionnement.

Ces instructions s'adressent aux personnes chargées de l'installation mécanique, du raccordement électrique, de la configuration des paramètres et de la mise en service de l'appareil ainsi qu'aux ingénieurs de service et maintenance.

Voir aussi

Assistance technique (Page 60)

1.2 Vérification de la livraison

1. Vérifier si l'emballage et les produits fournis présentent des traces d'endommagement visibles.
2. Signalez sans tarder tout droit en dommages et intérêts au transporteur.
3. Conservez les pièces endommagées jusqu'à ce que la situation soit clarifiée.
4. Vérifiez la régularité et la complétude de la fourniture en comparant les documents de livraison à votre commande.

ATTENTION

Utilisation d'un appareil endommagé ou incomplet

Risque d'explosion en zones à risques.

- N'utilisez pas d'appareils endommagés ou incomplets.

1.3 Transport et stockage

Afin de garantir une protection suffisante pendant le transport et le stockage, respectez les mesures suivantes :

- Gardez l'emballage d'origine pour un transport ultérieur.
- Les appareils/pièces de rechange doivent être retournés dans leur emballage d'origine.
- Si l'emballage d'origine n'est plus disponible, veillez à ce que toutes les expéditions soient emballées de manière adéquate, assurant une protection suffisante durant le transport. Siemens n'assume aucune responsabilité pour les frais associés aux dommages de transport.

PRUDENCE

Protection insuffisante pendant le stockage

L'emballage n'assure qu'une protection limitée contre l'humidité et les infiltrations.

- Assurez un emballage supplémentaire si nécessaire.

Les conditions de stockage et de transport spéciales de l'appareil sont mentionnées dans le chapitre Caractéristiques techniques (Page 55).

1.4 Informations supplémentaires

Le contenu de ce manuel ne fait pas partie d'une convention, d'un accord ou d'un statut juridique antérieur ou actuel, et ne doit en rien les modifier. Toutes les obligations de Siemens AG sont stipulées dans le contrat de vente qui contient également les seules conditions de garantie complètes et valables. Ces clauses contractuelles de garantie ne sont ni étendues, ni limitées par les indications figurant dans les instructions de service.


Le contenu correspond à l'état technique au moment de la publication. Sous réserve de modifications techniques dans le cadre de l'évolution du produit.

2 Consignes de sécurité

2.1 Condition préalable pour une utilisation sûre

Cet appareil a quitté l'usine en parfait état technique. Pour le garder dans cet état et pour en assurer un fonctionnement dénué de danger, observez ces instructions de service ainsi que toutes les informations relatives à la sécurité.

Observez les remarques et icônes situées sur l'appareil. N'en retirez aucune de l'appareil. Veillez à ce que les remarques et les icônes soient lisibles en permanence.

Icône	Explication
	Respecter les instructions de service

2.1.1 Lois et directives

Respectez la certification d'essai, les dispositions et les lois en vigueur dans votre pays lors du raccordement, du montage et de l'utilisation. Cela inclut par exemple :

- Le Code national de l'électricité (NEC - NFPA 70) (États-Unis)
- Le Code canadien de l'électricité (CCE) (Canada)

D'autres dispositions pour les applications en zones à risque d'explosion comprennent par exemple :

- CEI 60079-14 (internationale)
- EN 60079-14 (CE)


2.1.2 Conformité aux directives européennes

Le marquage CE situé sur l'appareil indique la conformité avec les directives européennes suivantes :

Compatibilité électromagnétique 2014/30/UE	Directive du Parlement européen et du Conseil relative à l'harmonisation des législations des États membres concernant la compatibilité électromagnétique
Atmosphère explosible ATEX 2014/34/UE	Directive du Parlement européen et du Conseil relative à l'harmonisation des législations des États membres concernant les appareils et les systèmes de protection destinés à être utilisés en atmosphères explosibles

Vous trouverez les normes appliquées dans la déclaration de conformité CE de l'appareil.

2.2 Modifications inappropriées de l'appareil

 ATTENTION
<p>Modifications incorrectes de l'appareil</p> <p>Toute modification de l'appareil, notamment dans les zones à risques, peut entraîner un risque pour le personnel, le système et l'environnement.</p> <ul style="list-style-type: none"> • Il faut seulement effectuer les modifications qui sont décrites dans les instructions de l'appareil. Le non-respect de cette exigence annule la garantie et les approbations du produit du fabricant.

2.3 Exigences d'applications spécifiques

En raison des nombreuses applications possibles, les détails relatifs aux versions d'appareil décrites et à l'ensemble des scénarios possibles durant la mise en service, l'exploitation, la maintenance ou l'exploitation au sein de systèmes ne peuvent pas tous être considérés dans ces instructions. Si vous avez besoin d'une information supplémentaire ne figurant pas dans ces instructions, contactez l'agence Siemens de votre région ou le représentant de votre société.

Remarque

Exploitation dans des conditions ambiantes spéciales

Avant d'utiliser l'appareil dans des conditions ambiantes spéciales (dans une centrale nucléaire, par exemple) ou à des fins de recherche et de développement, nous vous recommandons vivement de contacter votre représentant Siemens ou notre division application.


2.4 Utilisation en atmosphère explosible

2.4.1 Personnel qualifié pour applications en atmosphère explosible

Personnel qualifié pour applications en atmosphère explosible


Les personnes effectuant l'installation, le raccordement, la mise en service, la commande et la maintenance de l'appareil en atmosphère explosible doivent posséder les qualifications suivantes :

- Elles jouissent d'une autorisation, d'une formation et reçoivent des instructions quant à l'utilisation et à la maintenance des appareils et des systèmes conformément aux règles de sécurité afférentes aux circuits électriques, aux hautes pressions, ainsi qu'aux milieux agressifs et à risque d'explosion.
- Etre autorisées et formées pour intervenir sur les circuits électriques de systèmes présentant des risques d'explosions.
- Etre formées selon les standards de sécurité en matière d'entretien et d'utilisation d'un équipement de sécurité adapté.

 ATTENTION
Appareil non adapté aux zones à risque Risque d'explosion. <ul style="list-style-type: none">• Pour une exploitation en zone à risque d'explosion, utilisez uniquement des équipements homologués et étiquetés en conséquence.

Voir aussi

Caractéristiques techniques (Page 55)

 ATTENTION
Perte de la fonction de sécurité avec le type de protection "Sécurité intrinsèque Ex i" Si l'appareil a déjà été exploité dans des circuits à sécurité non intrinsèque ou si les caractéristiques électriques n'ont pas été observées, la sécurité de l'appareil n'est plus garantie pour une utilisation en zone à risque d'explosion. Il y a un risque d'explosion. <ul style="list-style-type: none">• Ne raccordez l'appareil présentant le type de protection "sécurité intrinsèque" qu'à un circuit à sécurité intrinsèque.• Respectez les spécifications concernant les données électriques du certificat et/ou du chapitre Caractéristiques techniques (Page 55).

3 Description

3.1 Domaine d'application

Le transmetteur de mesure de pression LH300 est une sonde immergée pour la mesure de niveau hydrostatique. Le transmetteur de pression mesure des niveaux de liquides dans les bassins, réservoirs, canalisations, barrages ou retenues d'eau, etc.

Les versions du transmetteur de mesure de pression couvrent différentes plages de mesure et sont disponibles avec ou sans protection anti-explosion. L'installation est simplifiée par les accessoires spéciaux (boîte de connexion et bélière de suspension).

Le transmetteur de pression est utilisé entre autres dans les secteurs industriels suivants :

- Approvisionnement en eau
- Pour une utilisation dans les réservoirs hors pression/ouverts et les puits.

3.2 Composition

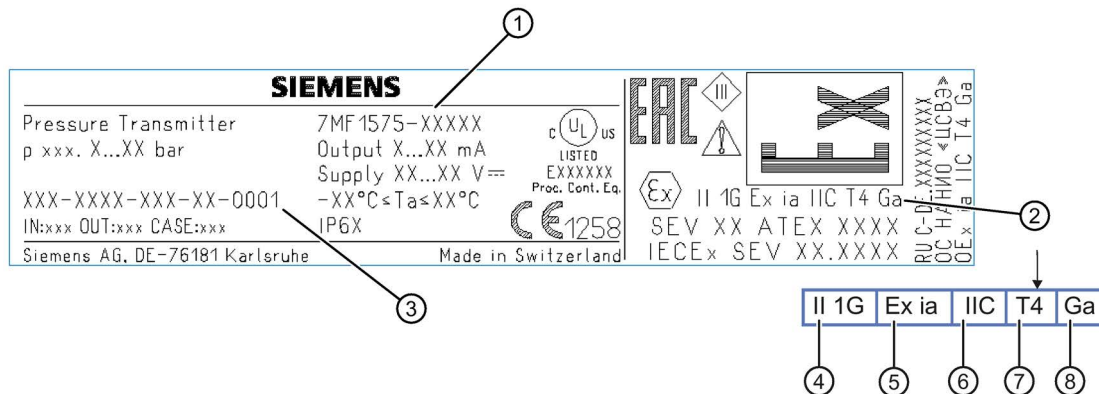
Le transmetteur de pression est équipé d'un capteur en céramique intégré doté d'un pont de Wheatstone.

Le transmetteur de pression est équipé d'une électronique implantée avec le capteur dans un boîtier en acier inoxydable. En outre, un tube atmosphérique est logé dans le câble de raccordement.

SITRANS LH300 (7MF1575..) Transmetteur pour la mesure de niveau hydrostatique
A5E37897183-AA, 09/2016

La membrane de mesure est protégée efficacement des influences extérieures par un capuchon de protection.
 Le capteur, l'électronique et le câble de raccordement sont montés dans un boîtier de dimensions compactes.
 Le transmetteur est adapté à une large plage de températures.

3.3 Structure de la plaque signalétique



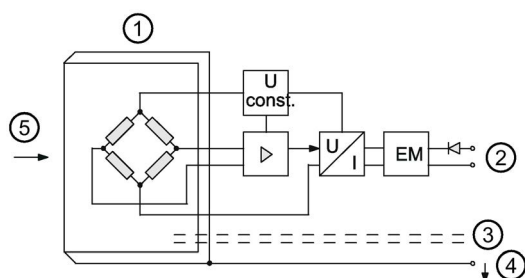
- | | |
|--|---|
| ① N° d'article | ⑤ Mode de protection |
| ② Caractéristiques pour atmosphères explosives | ⑥ Groupe (gaz, poussière) |
| ③ Numéro de fabrication | ⑦ Température de surface maximale (classe de température) |
| ④ Catégorie du domaine d'application | ⑧ Groupe (gaz) |

Figure 3-1 Exemple de plaque signalétique

La plaque signalétique avec le numéro d'article et d'autres indications importantes, comme les détails de construction et les caractéristiques techniques, se situe sur le transmetteur de mesure.

S'il s'agit d'un modèle de transmetteur pour zone exposée à un risque d'explosion, les informations relatives au certificat correspondant sont également mentionnées.

3.4 Mode de fonctionnement



- | | |
|-----------------------------------|--|
| ① Capteur | ④ Conducteur de protection/
liaison équipotentielle |
| ② Raccord de l'énergie auxiliaire | ⑤ Pression hydrostatique |
| ③ Tube atmosphérique | |

Figure 3-2 Transmetteur de pression, mode de fonctionnement et schéma de raccordement

Sur un côté du capteur ①, la membrane ⑤ est soumise à la pression hydrostatique ⑤ qui est proportionnelle à la profondeur d'immersion. Cette pression est comparée à la pression atmosphérique. L'équilibrage de pression est effectué par le tube atmosphérique ③ installé dans le câble de raccordement.


La pression hydrostatique de la colonne de liquide agit sur la membrane du capteur qui la transmet au pont de Wheatstone du capteur.

Le signal de sortie de tension du capteur est appliqué à l'électronique qui le convertit en un signal de sortie de courant 4 à 20 mA.

Le conducteur de protection/la liaison équipotentielle ④ est raccordé(e) au boîtier.

4 Intégration/montage

4.1 Consignes de sécurité fondamentales


 ATTENTION
Pièces humides non adaptées au milieu dans lequel se déroule le procédé Risque de se blesser ou d'endommager l'appareil. Des substances chaudes, toxiques et corrosives peuvent s'échapper si le milieu dans lequel se déroule le procédé n'est pas adapté aux pièces avec lequel il est en contact. <ul style="list-style-type: none">• Veillez à ce que le matériau des pièces de l'appareil en contact avec le milieu du procédé soit adapté à ce milieu. Référez-vous aux informations des Caractéristiques techniques (Page 55).

Remarque

Compatibilité des matériaux

Siemens peut vous assister dans le choix des composants du capteur mouillés par le milieu du procédé. Vous êtes cependant responsable du choix des composants. Siemens décline toute responsabilité en cas de défauts ou de défaillances résultant de l'incompatibilité des matériaux.

4.1.1 Dépassement de la pression de service maximale autorisée

 ATTENTION
Dépassement de la pression de service maximale autorisée Risque de blessure ou d'empoisonnement. La pression de service maximale autorisée dépend de la version de l'appareil, de la limite de pression et de la température nominale. L'appareil peut être endommagé en cas de dépassement de la pression de service. Des milieux chauds, toxiques et corrosifs utilisés dans le procédé peuvent s'échapper. Vérifiez que la pression de service maximale autorisée de l'appareil n'est pas dépassée. Reportez-vous aux informations de la plaque signalétique et/ou au chapitre Caractéristiques techniques (Page 55).

IMPORTANT

Utilisation d'un appareil sur un fluide gelé

Dommages à l'appareil par formation de gel.

- Evitez la formation gel sur le transmetteur de mesure. Le fluide à mesure ne doit pas geler.

4.1.2 Montage correct

IMPORTANT
Montage incorrect Un montage incorrect peut endommager l'appareil, le détruire ou réduire ses fonctionnalités. <ul style="list-style-type: none">• Avant de l'installer, assurez-vous que l'appareil ne présente aucun défaut visible.• Veillez à ce que les connecteurs du procédé soient propres, et que des joints et presse-étoupes appropriés sont utilisés.• Montez l'appareil à l'aide d'outils adaptés. Pour plus de détails sur le couple de serrage requis lors de l'installation, se reporter à la section Caractéristiques techniques (Page 55).

! PRUDENCE

Perte de type de protection

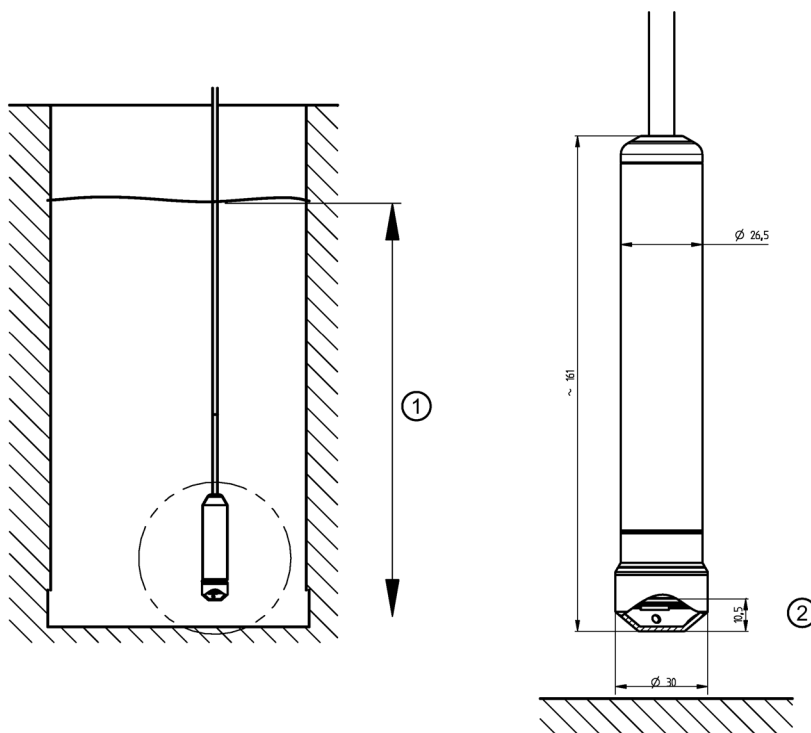
Si le boîtier est ouvert ou n'est pas correctement fermé, l'appareil est susceptible d'être endommagé. Le type de protection spécifié sur la plaque signalétique ou dans Caractéristiques techniques (Page 55) n'est plus garanti.

- Assurez-vous que l'appareil est bien fermé.

Voir aussi

Intégration/montage (Page 47)

4.2 Montage

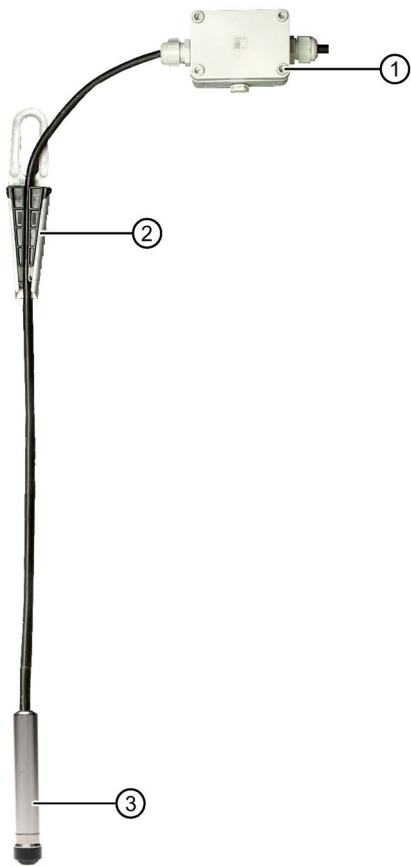


- ① Niveau
② Hauteur de référence de mesure

Figure 4-1 Montage du transmetteur de pression (exemple avec capuchon protecteur en PPE)

1. Montez le transmetteur de pression suspendu vers le bas par le câble.
2. Dans les milieux mouvants, fixez le transmetteur de pression afin d'éviter les erreurs de mesure.
3. Fixez le transmetteur de pression à l'aide d'un tube de guidage ou d'un poids supplémentaire rapporté sur le transmetteur (force de traction max. sur le câble de raccordement 360 N).
4. Fixez le câble au-dessus du récipient à l'aide de la bélière de suspension.
5. Connectez le câble avec la boîte de connexion.
6. Montez la boîte de connexion dans un endroit correspondant à son indice de protection (IP66) à proximité du point de mesure.
7. Afin de garantir un fonctionnement sans défaut, veillez à ce que les orifices d'entrée du capuchon de protection ne s'encrassent pas et que le fluide à mesurer sur le transmetteur de pression ne gèle pas.

4.3 Configuration du point de mesure



- ① Boîte de connexion
- ② Bélière de suspension
- ③ Transmetteur de mesure de pression

Figure 4-2 Configuration du point de mesure

4.4 Détermination de la plage de mesure

Calcul de la plage de mesure pour des fluides de densité $\neq 1000 \text{ kg/m}^3$ (fluide \neq eau)

$$p = \rho * g * h$$

avec :

ρ = densité du fluide à mesurer

g = accélération de la gravité locale

h = niveau maximal

5 Raccordement

5.1 Consignes de sécurité fondamentales

ATTENTION

Longueur de câble maximale pour des appareils avec un type de protection Sécurité intrinsèque "Ex i" dépassée

Risque d'explosion en atmosphère explosible.

Afin de respecter les dispositions relatives aux appareils avec un type de protection Sécurité intrinsèque "Ex i", tenir compte de la longueur de câble maximale autorisée.

ATTENTION

Câbles, presse-étoupes et/ou connecteurs non adaptés

Risque d'explosion en zones à risques.

- Utilisez uniquement les presse-étoupes /connecteurs qui sont conformes aux exigences du mode de protection correspondant.
- Serrez les presse-étoupes en respectant les couples indiqués au chapitre in Caractéristiques techniques (Page 55).
- Fermez les entrées de câble destinées aux raccordements électriques.
- Lorsque vous remplacez les presse-étoupes, utilisez uniquement des presse-étoupes du même type.
- Après l'installation, vérifiez que les câbles sont bien serrés.

ATTENTION

Alimentation incorrecte

Risque d'explosion dans les zones à risque et perte de sécurité de l'appareil résultant d'une alimentation incorrecte, p. ex. en utilisant du courant continu au lieu d'utiliser du courant alternatif.

- Connectez l'appareil en respectant les circuits d'alimentation et de signaux spécifiés. Les spécifications appropriées figurent dans les certifications, au chapitre "Caractéristiques techniques (Page 55)" ou sur la plaque signalétique.
- N'alimentez l'appareil qu'avec une énergie limitée. Respectez les normes suivantes afin de limiter l'énergie utilisée : selon la norme UL61010-1 3rd Edition, chapitre 9.3 ou LPS (Low Power Supply) en concordance avec la norme UL60950-1 ou classe 2 conformément à la norme UL1310 ou UL1585.

ATTENTION

Très basse tension dangereuse

Risque d'explosion dans les zones à risque provoqué par une décharge de tension.

- Raccordez l'appareil à une très basse tension au moyen d'une isolation de sécurité (Safety Extra-Low Voltage, SELV)

ATTENTION

Liaison équipotentielle manquante

Risque d'explosion dû aux courants compensateurs ou aux courants d'allumage en raison d'une liaison équipotentielle manquante.

- Assurez-vous que l'appareil présente une équipotentialité complète.

Exception : Pour les appareils dotés du type de protection "Sécurité intrinsèque Ex i", ne pas connecter la liaison équipotentielle peut être admis.

ATTENTION

Terminaisons de câbles non protégées

Risque d'explosion dû à des extrémités de câble non protégées dans des zones à risque.

- Protégez les extrémités des câbles non utilisées conformément à la norme CEI/EN 60079-14.

ATTENTION

Pose de câbles blindés incorrecte

Risque d'explosion à travers les courants de compensation entre les zones à risques et les zones sans risques.

- Les câbles blindés qui pénètrent dans les zones à risques doivent être mis à la terre uniquement à une extrémité.
- Si la mise à la terre est requise pour les deux extrémités, utilisez un conducteur d'égalisation de potentiel.

ATTENTION

Raccorder l'appareil sous tension

Risque d'explosion en zones à risques.

- Dans les zones à risques, ne raccorder l'appareil que lorsqu'il est hors tension.

Exceptions :

- Les appareils qui possèdent le mode de protection "Sécurité intrinsèque Ex i" peuvent également être raccordés sous tension dans les zones à risques.
- Les exceptions pour le mode de protection "Sans étincelles nA" (zone 2) sont réglementées par le certificat correspondant.

Remarque

Compatibilité électromagnétique (CEM)

Vous pouvez utiliser cet appareil en environnement industriel, pour un usage domestique et dans les petites entreprises. Les boîtiers métalliques présentent une compatibilité électromagnétique augmentée par rapport à la radiation haute fréquence. Cette protection peut être améliorée par la mise à la terre du boîtier, voir le chapitre Raccordement (Page 50).

Remarque

Amélioration de l'immunité aux perturbations

- Lors de la pose des câbles, il convient de séparer les câbles de signalisation des câbles avec une tension > 60 V.
- Utilisez des câbles dotés de fils torsadés.
- Maintenez l'appareil et le câble éloigné de champs électromagnétiques intenses.

5.2 Raccordement de l'appareil

Procédure

Raccordez le transmetteur de pression à la boîte de connexion comme suit :

1. Raccordez le câble du transmetteur de pression aux bornes 1 (-), 2 (+) et à la terre.
2. Introduisez le tube atmosphérique dans la boîte de connexion.

Le tube atmosphérique doit être en communication avec l'atmosphère. C'est à cela que sert le filtre étanche qui se trouve sur le châssis de la boîte de connexion.

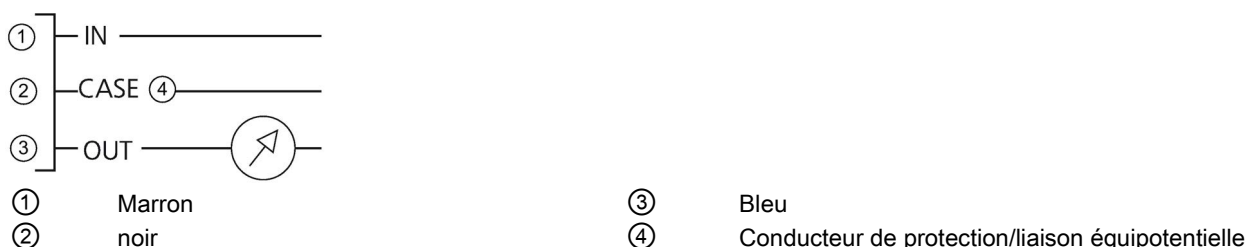
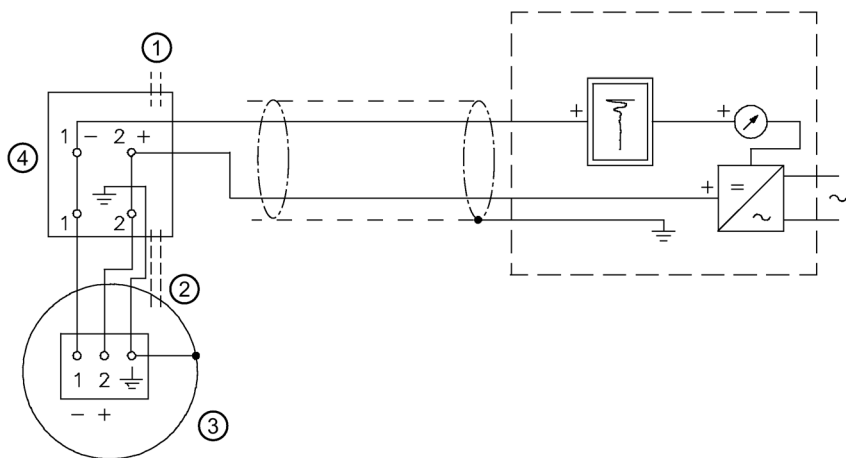


Figure 5-1 Raccordement électrique

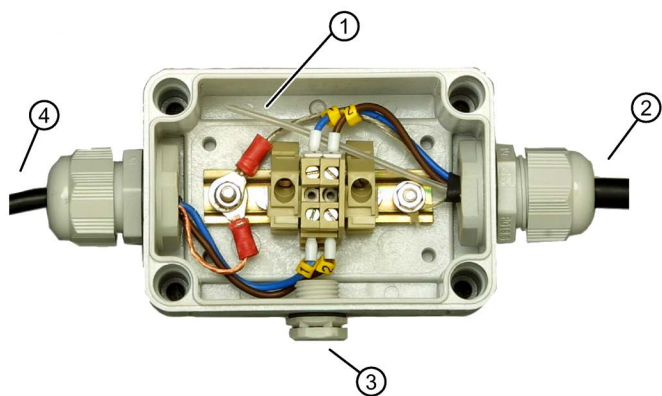
Exemple

Pour une utilisation en zones non explosibles, vous pouvez raccorder le transmetteur de pression comme suit :



- ① Pression atmosphérique
- ③ Transmetteur
- ② Tube atmosphérique
- ④ Boîte de connexion

Figure 5-2 Schéma de branchement



- ① Tube(s) atmosphérique(s)
- ③ Aération de la boîte de connexion
- ② Vers le transmetteur de mesure
- ④ Vers le traitement des valeurs de mesure

Figure 5-3 Boîte de connexion, ouverte

6 Mise en service

6.1 Consignes de sécurité fondamentales

ATTENTION

Mise en service incorrecte dans les zones à risque

Défaillance de l'appareil ou risque d'explosion en zones à risques.

- Ne mettez pas l'appareil en service une fois qu'il a été monté complètement et raccordé conformément aux informations du chapitre Caractéristiques techniques (Page 55).
- Avant la mise en service, tenez compte des effets sur les autres appareils du système.

6.2 Etalonnage

Le transmetteur de pression est étalonné en usine pour la plage de mesure et n'a pas besoin d'un nouvel étalonnage.

7 Entretien et maintenance

7.1 Consignes de sécurité fondamentales

Remarque

L'appareil ne fait l'objet d'aucune maintenance.

ATTENTION

Réparation non autorisée d'appareils protégés contre les explosions

Risque d'explosion dans les zones explosives.

- Seul le personnel technique Siemens Flow Instruments est autorisé à intervenir sur l'appareil pour le réparer.

ATTENTION

Utilisation d'un ordinateur dans une zone à risque d'explosion

Si l'interface de l'ordinateur est utilisée dans une zone à risque d'explosion, un risque d'explosion apparaît.

- Assurez-vous que l'atmosphère n'est pas explosive (permis de feu).

7.2 Etalonnage

Le transmetteur de pression est étalonné en usine pour la plage de mesure et n'a pas besoin d'un nouvel étalonnage.

7.3 Travaux de maintenance et de réparation

ATTENTION

Accessoires et pièces de rechange non autorisés

Risque d'explosion dans les zones explosives.

- Utilisez uniquement les accessoires et pièces de rechange d'origine.
- Observez toutes les instructions d'installation et de sécurité pertinentes décrites dans les instructions de l'appareil ou fournies avec l'accessoire ou la pièce de rechange.

IMPORTANT

Erreur de mesure due à l'encrassement

Le transmetteur de mesure de pression peut être encrassé par le fluide à mesurer.

- Évitez que les orifices d'entrée du capuchon de protection du transmetteur ne s'encrassent.

7.4 Procédure de renvoi

Placez le bon de livraison, le bordereau d'expédition de retour de marchandise et la déclaration de décontamination dans une pochette en plastique transparent bien fixée à l'extérieur de l'emballage.

Formulaires requis

- Bon de livraison
- Bordereau d'expédition de retour de marchandise (<http://www.siemens.com/processinstrumentation/returngoodsnote>) avec les informations suivantes :
 - Produit (description de l'article)
 - Nombre d'appareils/de pièces de rechange renvoyés
 - Raison du retour de l'article ou des articles

- Déclaration de décontamination (<http://www.siemens.com/sc/declarationofdecontamination>)

Par cette déclaration, vous garantissez "que l'appareil/la pièce de rechange a été soigneusement nettoyé(e) et est exempté de résidus. L'appareil/la pièce de rechange ne présente pas de risque pour les êtres humains et l'environnement."

Si l'appareil/la pièce de rechange est entré(e) en contact avec des substances toxiques, corrosives, inflammables ou polluant l'eau, vous devez nettoyer minutieusement et décontaminer l'appareil/la pièce de rechange avant de le/la renvoyer afin de garantir que toutes les parties creuses sont dépourvues de substances dangereuses. Vérifiez l'article après le nettoyage.

Les pièces de rechange ou appareils retournés sans déclaration de décontamination seront nettoyés à vos frais avant tout traitement.

7.5 Elimination



Les appareils identifiés par ce symbole ne peuvent pas être mis au rebut auprès du service d'élimination des déchets conformément à la Directive 2012/19/CE sur les déchets d'équipements électroniques et électriques (WEEE).

Ils peuvent être retournés au fournisseur au sein de la CE ou être transmis à un service d'élimination de déchets habilité localement. Respectez la réglementation spécifique applicable dans votre pays.

De plus amples informations sur les appareils qui comportent des batteries sont disponibles sur : Informations sur la dépose des piles/du produit (DEEE) (<https://support.industry.siemens.com/cs/document/109479891/>)

Remarque

Mise au rebut spéciale requise

Dans l'appareil se situent des composants nécessitant une mise au rebut spéciale.

- Recyclez l'appareil correctement et de manière respectueuse pour l'environnement par le biais d'une société d'élimination de déchets locale.

8 Caractéristiques techniques

Entrée de pression relative		
Grandeur de mesure	Niveau hydrostatique	
Plage de mesure, pression de service max. admissible (selon 97/23/CE directive équipements sous pression) et pression d'essai max. admissible (selon DIN 16086)	Plage de mesure	Pression de service max. admissible MAWP (PS)
		0...0,1 bar
0...1 mH ₂ O (0...3 ftH ₂ O)		15 mH ₂ O (45 ftH ₂ O)
0...0,2 bar		1,5 bar
0...2 mH ₂ O		15 mH ₂ O (45 ftH ₂ O)
0... 0,3 bar		1,5 bar
0...3 mH ₂ O (0...9 ftH ₂ O)		21,8 psi 15 mH ₂ O (45 ftH ₂ O)
0... 0,4 bar		2 bar
0...4 mH ₂ O (0...12 ftH ₂ O)		29 psi 20 mH ₂ O (66 ftH ₂ O)
0... 0,5 bar		2 bar
0...5 mH ₂ O (0...15 ftH ₂ O)		29 psi 20 mH ₂ O (66 ftH ₂ O)
0... 0,6 bars		2 bar
0...6 mH ₂ O (0...18 ftH ₂ O)		29 psi 20 mH ₂ O (66 ftH ₂ O)
0... 1 bar	5 bar	
0...10 mH ₂ O (0...30 ftH ₂ O)	72 psi 51 mH ₂ O (167 ftH ₂ O)	
0... 2 bar	10 bar	
0...20 mH ₂ O (0...60 ftH ₂ O)	145 psi 102 mH ₂ O (334 ftH ₂ O)	
0... 4 bar	20 bar	
0...40 mH ₂ O (0...120 ftH ₂ O)	204 mH ₂ O (669 ftH ₂ O)	
Sortie 2 fils		
Signal de sortie	4 ... 20 mA	
Charge	Résistance R [Ω]	
	$R_{\max} = \frac{U_H - 10 \text{ V}}{0,02 \text{ A}}$	
	Rmax est la résistance maximale du câble d'alimentation	
U _H	Energie auxiliaire en V	

Précision de mesure (selon EN 60770-2)

Conditions de référence	<ul style="list-style-type: none">• Courbe caractéristique montante• Début de plage de mesure 0 bar• Température ambiante 25 °C (77 °F)• Tension nominale 24 V cc
Erreur de mesure lors du réglage du point limite avec hystérésis et pour la répétabilité de la plage de mesure	0,15 % de la valeur finale de la plage de mesure (typique) 0,3 % de la valeur finale de la plage de mesure (maximal)
Influence de la température ambiante	
Zéro et plage de mesure	0,05 % de la la plage de mesure par 10K
Stabilité à long terme	
Zéro et plage de mesure	0,15 % de la valeur finale de la plage de mesure par an
Influence énergie auxiliaire	Modification de tension 0,01 % par 1 V

Conditions de service

Conditions de service

Conditions ambiantes

- Température ambiante -10 ... +80 °C (-4 ... +176 °F)
 - Hauteur max. 2 000 m NN
 - Humidité relative de l'air 0 ... 100 %

Remarque Respectez la classe de température dans les zones à risque d'explosion.

Température de stockage -20 ... +80 °C (-4 ... +176 °F)

- Degré de protection selon EN 60529 IP68
- Compatibilité électromagnétique

Emission de perturbations et immunité aux perturbations Selon EN 61326-1 et EN 61326-2-3

Conditions relatives au produit mesuré

- Température du produit mesuré -10 ... +80 °C (-4 ... +176 °F)

Construction du transmetteur de pression

Poids

- Transmetteur de pression Env. 0,4 kg (0.88 lb)
- Câbles 0,08 kg/m (env. 0.059 lb/ft)

Matériau

- Matériau des pièces en contact avec le produit mesuré


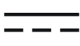

Boîtier Acier inox, n° de matériau 1.4404/316L ou 1.4539/904L

Capteur Céramique Al₂O₃(99,6 %)

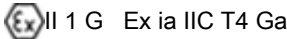
Câble PE-HD, FEP

Capuchon de protection PPE, ETFE, acier inox (1.4404/316L ou 1.4539/904L)

Matériau d'étanchéité FPM, EPDM (pour eau potable)

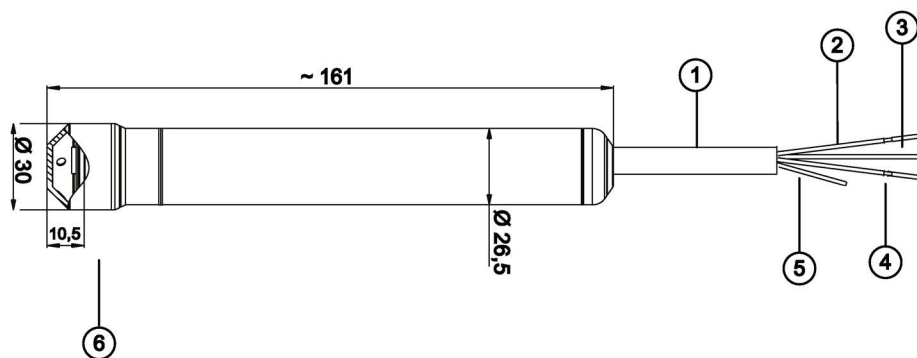
Construction du transmetteur de pression	
Raccordement électrique	Longueurs : 3, 5, 10, 15, 20, 30, 40, 50, ..., 1000 m La longueur de câble maximale autorisée pour des appareils avec un type de protection Sécurité intrinsèque "Ex i" est de 300 m.
Couple de serrage écrou à chapeau pour presse-étoupe en	plastique 2,5 Nm (1.8 ft lb)
Construction de la boîte de connexion 7MF1575-8AA (accessoire)	
Domaine d'application	Pour le raccordement du câble du transmetteur de mesure
Poids	0,2 kg (0,44 lb)
Raccordement électrique	2 x 3 fois (diamètre du câble de 1 mm ² à 1,5 mm ²)
Entrées de câbles	2 x Pg 13,5
Matériau du boîtier	Polycarbonate
Tube atmosphérique	
Vis pour corde de suspension	
Couple de serrage écrou à chapeau pour presse-étoupe en	plastique 2,5 Nm (1.8 ft lb)
Conditions de service	
<ul style="list-style-type: none"> Degré de protection selon EN 60 529 	IP65
Construction de la bélière de suspension 7MF1575-8AB (accessoire)	
Domaine d'application	Pour la fixation du transmetteur de mesure
Poids	0,16 kg (0,35 lb)
Raccordement électrique	acier galvanisé, polyamide
Energie auxiliaire U_H	
Tension aux bornes sur le transmetteur de mesure	 10 V CC ... 30 V  10 V ... 33 V CC 
Consommation	< 20,5 mA
Détrompage	Oui

8.1 Certificats et homologations

Certificats et homologations	
Eau potable (ACS)	en préparation
Eau potable (WRAS)	en préparation
Eau potable (DVGW/ KTW W270)	en préparation
EAC	en préparation
Underwriters Laboratories (UL)	en préparation
Constitution navale	en préparation
<ul style="list-style-type: none"> • GL • LR • DNV • BV • ABS 	
Protection contre l'explosion	
Sécurité intrinsèque "i"	Marquage
<ul style="list-style-type: none"> • ATEX • IEC Ex 	
Raccord	Sur circuit à sécurité intrinsèque certifié avec les valeurs maximales : $U_i = 30 \text{ V}$, $I_i = 100 \text{ mA}$, $P_i = 750 \text{ mW}$
Capacité intérieure efficace	$C_i = 2 \text{ nF} + 0,204 \text{ nF}$ (par mètre de câble d'alimentation sur le transmetteur de pression)
Inductance intérieure efficace	$L_i = 8 \text{ }\mu\text{H} + 1,48 \text{ }\mu\text{H}$ (par mètre de câble d'alimentation sur le transmetteur de pression)
EAC Ex	en préparation

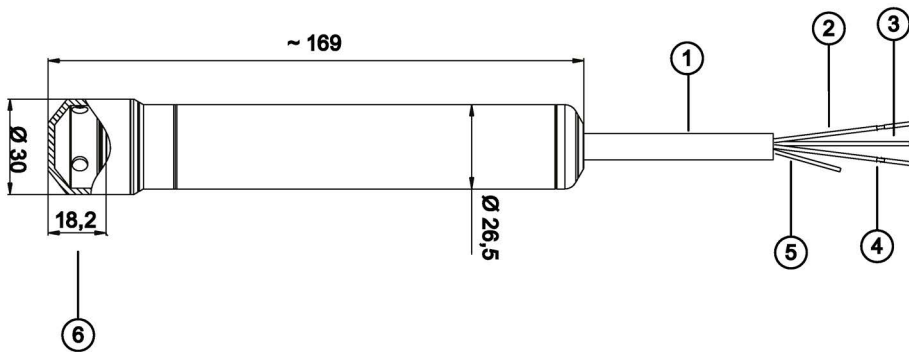
9 Dessins cotés

Transmetteur de pression



- | | |
|---------------------------------|---|
| ① Câble, gaine, diamètre 8,3 mm | ④ Conducteur de protection/ liaison équipotentielle |
| ② - (bleu) | ⑤ Tube atmosphérique, diamètre 1 mm (diamètre intérieur) |
| ③ + (marron) | ⑥ Capuchon de protection avec 4 orifices de diamètre 2,5 mm |

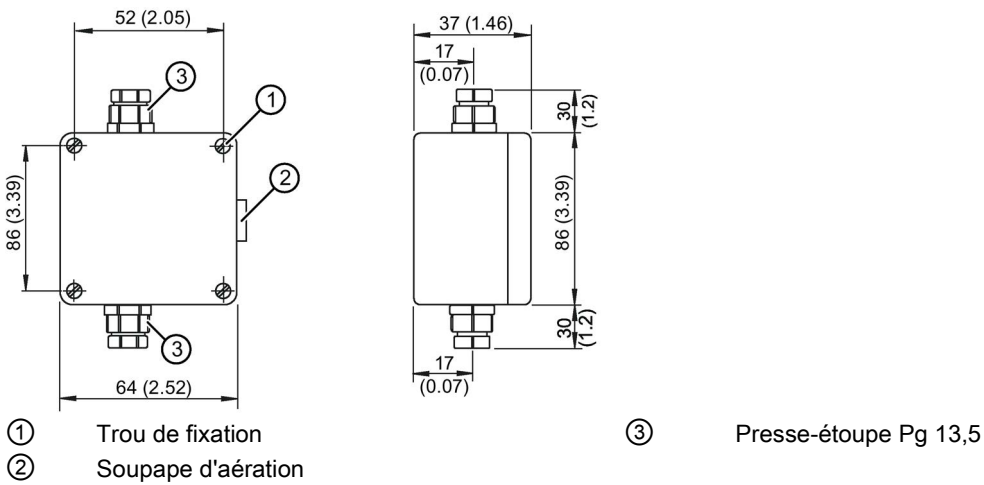
Figure 9-1 Transmetteur de pression avec capuchon protecteur en PPE/ETFE, dimensions en mm



- | | |
|---------------------------------|---|
| ① Câble, gaine, diamètre 8,3 mm | ④ Conducteur de protection/ liaison équipotentielle |
| ② - (bleu) | ⑤ Tube atmosphérique, diamètre 1 mm (diamètre intérieur) |
| ③ + (marron) | ⑥ Capuchon de protection avec 4 orifices de diamètre 5 mm |

Figure 9-2 Transmetteur de pression avec capuchon protecteur en acier inoxydable, dimensions en mm

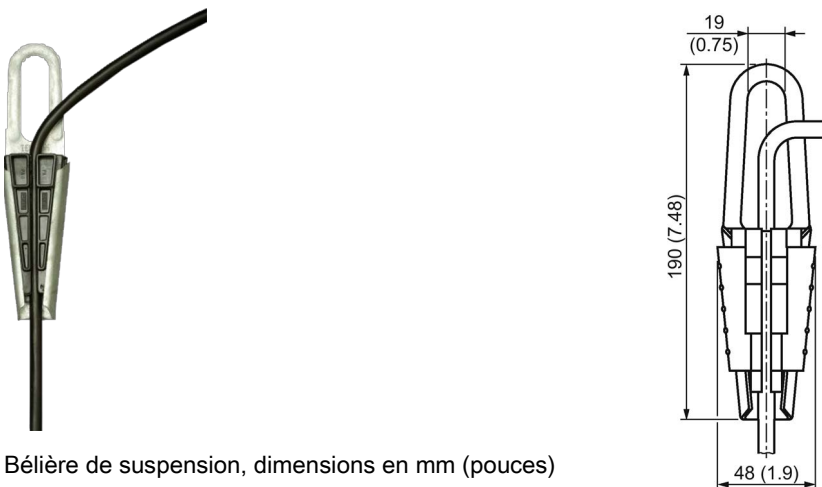
Boîte de connexion



- | | |
|----------------------|-------------------------|
| ① Trou de fixation | ③ Presse-étoupe Pg 13,5 |
| ② Soupape d'aération | |

Figure 9-3 Boîte de connexion, dimensions en mm (pouces)

Bénière de suspension



Bénière de suspension, dimensions en mm (pouces)

A Annexe A

A.1 Assistance technique

Assistance technique

Si cette documentation n'apporte pas de réponse complète à toute question d'ordre technique que vous pourriez vous poser, prenez contact avec le Support technique sur :

- Demande d'assistance (<http://www.siemens.com/automation/support-request>)
- Pour plus d'informations sur notre Support technique, cliquez sur Assistance technique (<http://www.siemens.com/automation/csi/service>)

Service & Support sur Internet

Outre la documentation, Siemens fournit une solution d'assistance globale sur :

- Service&Support (<http://www.siemens.com/automation/service&support>)

Interlocuteur personnel

Pour toute question supplémentaire sur l'appareil, veuillez contacter votre interlocuteur personnel Siemens à l'adresse :

- Contact (<http://www.automation.siemens.com/partner>)

Afin de trouver le contact pour votre produit, sélectionnez sous 'Tous les produits et secteurs' le chemin 'Automatisation > Systèmes de capteurs'.

Documentation

Vous pouvez consulter des documents sur différents produits et systèmes sur :

- Instructions et manuelsInstructions et manuels (<http://www.siemens.com/processinstrumentation/documentation>)

Voir aussi

Information produit SITRANS P sur internet (<http://www.siemens.com/sitransp>)

Catalogue instrumentation des procédés (<http://www.siemens.com/processinstrumentation/catalogs>)

Courriel (<mailto:support.automation@siemens.com>)

A.2 Certificats

Vous pouvez trouver des certificats sur Internet sous Certificats (<http://www.siemens.com/processinstrumentation/certificates>) ou sur le DVD fourni.

Marques de fabrique

Toutes les désignations repérées par ® sont des marques déposées de Siemens AG. Les autres désignations dans ce document peuvent être des marques dont l'utilisation par des tiers à leurs propres fins peut enfreindre les droits de leurs propriétaires respectifs.

Exclusion de responsabilité

Nous avons vérifié la conformité du contenu du présent document avec le matériel et le logiciel qui y sont décrits. Ne pouvant toutefois exclure toute divergence, nous ne pouvons pas nous porter garants de la conformité intégrale. Si l'usage de ce manuel devait révéler des erreurs, nous en tiendrons compte et apporterons les corrections nécessaires dès la prochaine édition.

Siemens AG
Division Process Industries and Drives
Postfach 48 48
90026 NÜRNBERG
ALLEMAGNE

SITRANS LH300 (7MF1575..) Transmetteur pour la mesure de niveau hydrostatique
A5E37897183, 09/2016

SIEMENS

SITRANS

Transmisor de presión

SITRANS LH300 (7MF1575..) Transmisor para el nivel hidrostático

Instrucciones de servicio resumidas

Notas jurídicas

Filosofía en la señalización de advertencias y peligros

Este manual contiene las informaciones necesarias para la seguridad personal así como para la prevención de daños materiales. Las informaciones para su seguridad personal están resaltadas con un triángulo de advertencia; las informaciones para evitar únicamente daños materiales no llevan dicho triángulo. De acuerdo al grado de peligro las consignas se representan, de mayor a menor peligro, como sigue.

PELIGRO

Significa que, si no se adoptan las medidas preventivas adecuadas **se producirá** la muerte, o bien lesiones corporales graves.

ADVERTENCIA

Significa que, si no se adoptan las medidas preventivas adecuadas **puede producirse** la muerte o bien lesiones corporales graves.

PRECAUCIÓN

Significa que si no se adoptan las medidas preventivas adecuadas, pueden producirse lesiones corporales.

ATENCIÓN

Significa que si no se adoptan las medidas preventivas adecuadas, pueden producirse daños materiales.

Si se dan varios niveles de peligro se usa siempre la consigna de seguridad más estricta en cada caso. Si en una consigna de seguridad con triángulo de advertencia se alarma de posibles daños personales, la misma consigna puede contener también una advertencia sobre posibles daños materiales.

Personal cualificado

El producto/sistema tratado en esta documentación sólo deberá ser manejado o manipulado por **personal cualificado** para la tarea encomendada y observando lo indicado en la documentación correspondiente a la misma, particularmente las consignas de seguridad y advertencias en ella incluidas. Debido a su formación y experiencia, el personal cualificado está en condiciones de reconocer riesgos resultantes del manejo o manipulación de dichos productos/sistemas y de evitar posibles peligros.

Uso previsto o de los productos de Siemens

Considere lo siguiente:

ADVERTENCIA

Los productos de Siemens sólo deberán usarse para los casos de aplicación previstos en el catálogo y la documentación técnica asociada. De usarse productos y componentes de terceros, éstos deberán haber sido recomendados u homologados por Siemens. El funcionamiento correcto y seguro de los productos exige que su transporte, almacenamiento, instalación, montaje, manejo y mantenimiento hayan sido realizados de forma correcta. Es preciso respetar las condiciones ambientales permitidas. También deberán seguirse las indicaciones y advertencias que figuran en la documentación asociada.

1 Introducción

1.1 Propósito de la presente documentación

Estas instrucciones contienen toda la información necesaria para poner en servicio y utilizar este aparato. Lea las instrucciones detenidamente antes de proceder a la instalación y puesta en marcha. Para poder garantizar un manejo correcto, familiarícese con el modo de funcionamiento del aparato.

Las instrucciones están dirigidas a las personas que realizan la instalación mecánica del aparato, conectándolo electrónicamente, configurando los parámetros y llevando a cabo la puesta en servicio inicial, así como para los ingenieros de servicio y mantenimiento.

Consulte también

Soporte técnico (Página 80)

1.2 Comprobar el suministro

1. Compruebe si el embalaje y los artículos entregados están visiblemente dañados.
2. Notifique inmediatamente al transportista todas las reclamaciones por daños y perjuicios.
3. Conserve las piezas dañadas hasta que se aclare el asunto.
4. Compruebe que el volumen de suministro es correcto y completo comparando los documentos de entrega con el pedido.

ADVERTENCIA

Empleo de un aparato dañado o incompleto

Riesgo de explosión en áreas peligrosas

- No ponga en marcha ningún aparato dañado o incompleto.

1.3 Transporte y almacenamiento

Para garantizar un nivel de protección adecuado durante las operaciones de transporte y almacenamiento, es preciso tener en cuenta lo siguiente:

- Debe conservarse el embalaje original para transportes posteriores.
- Los distintos aparatos y piezas de repuesto deben devolverse en su embalaje original.
- Si el embalaje original no está disponible, asegúrese de que todos los envíos estén adecuadamente empaquetados para garantizar su protección durante el transporte. Siemens no asume responsabilidad alguna por los costes en que se pudiera incurrir debido a daños por transporte.

PRECAUCIÓN

Protección inadecuada durante el transporte

El embalaje ofrece una protección limitada frente a la humedad y las filtraciones.

- Si es necesario, debe utilizarse embalaje adicional.

En Datos técnicos (Página 74) se enumeran las condiciones especiales de almacenamiento y transporte del dispositivo.

1.4 Otra información

El contenido de estas instrucciones no forma parte de ningún acuerdo, garantía ni relación jurídica anteriores o vigentes, y tampoco los modifica en caso de haberlos. Todas las obligaciones contraídas por Siemens AG se derivan del correspondiente contrato de compraventa, el cual también contiene las condiciones completas y exclusivas de garantía. Las explicaciones que figuran en estas instrucciones no amplían ni limitan las condiciones de garantía estipuladas en el contrato.


El contenido refleja el estado técnico en el momento de la publicación. Queda reservado el derecho a introducir modificaciones técnicas en correspondencia con cualquier nuevo avance tecnológico.

2 Consignas de seguridad

2.1 Requisitos para el uso seguro

Este aparato ha salido de la fábrica en perfecto estado respecto a la seguridad técnica. Para mantenerlo en dicho estado y garantizar un servicio seguro del aparato, es necesario respetar y tener en cuenta las presentes instrucciones y todas las informaciones relativas a la seguridad.

Tenga en cuenta las indicaciones y los símbolos del aparato. No retire las indicaciones o los símbolos del aparato. Las indicaciones y los símbolos siempre deben ser legibles.

Símbolo	Explicación
	Observar las instrucciones de servicio

2.1.1 Leyes y directivas

Cumpla con la certificación de prueba, las normativas y leyes del país correspondiente durante la conexión, el montaje y la utilización. Entre otras se incluyen:

- Código Eléctrico Nacional (NEC - NFPA 70) (EE. UU.)
- Código Eléctrico Canadiense (CEC) (Canadá)

Normativas adicionales para aplicaciones en áreas peligrosas, como por ejemplo:

- IEC 60079-14 (internacional)
- EN 60079-14 (CE)


2.1.2 Conformidad con directivas europeas

El mercado CE del aparato muestra la conformidad con las siguientes directivas europeas:

Compatibilidad electromagnética (CEM) 2014/30/UE	Directiva del Parlamento Europeo y del Consejo relativa a la armonización de las legislaciones de los Estados miembros en materia de compatibilidad electromagnética.
Atmosphère explosible ATEX 2014/34/UE	Directiva del Parlamento Europeo y del Consejo, relativa a la armonización de las legislaciones de los Estados miembros sobre aparatos y sistemas de protección para uso en atmósferas con peligro de explosión.

Las normas aplicadas figuran en la Declaración de conformidad CE del aparato.

2.2 Modificaciones indebidas del dispositivo

 ADVERTENCIA
<p>Modificaciones indebidas del dispositivo</p> <p>Una modificación indebida del dispositivo puede suponer un riesgo para el personal, el sistema y el medio ambiente, especialmente en áreas con peligro de explosión.</p> <ul style="list-style-type: none"> • No efectúe otras modificaciones que las descritas en las instrucciones del dispositivo. La no observación de este requisito se extingue la garantía del fabricante y las homologaciones del producto.

2.3 Requisitos para aplicaciones especiales

Debido al gran número de posibles aplicaciones, no es posible considerar en las instrucciones cada detalle de las versiones del dispositivo descrito para cada escenario posible durante la puesta en marcha, funcionamiento, mantenimiento u operación de los sistemas. Si necesita información adicional que no esté incluida en estas instrucciones, póngase en contacto con su oficina local de Siemens o la empresa representativa.

Nota

Funcionamiento en condiciones ambientales especiales

Se recomienda ponerse en contacto con un representante de Siemens o con nuestro departamento de aplicaciones antes de poner en marcha el dispositivo en condiciones ambientales especiales como, por ejemplo, en plantas nucleares o en caso de que el dispositivo sea utilizado con propósitos de investigación y desarrollo.


2.4 Empleo en zonas con peligro de explosión

2.4.1 Personal cualificado para aplicaciones en zonas Ex

Personal cualificado para aplicaciones en zonas Ex


El personal que efectúa los trabajos de montaje, conexión, puesta en servicio, operación y mantenimiento del aparato en zonas con peligro de explosión debe contar con las siguientes cualificaciones especiales:

- Ha sido autorizado, formado o instruido para el manejo y el mantenimiento de aparatos y sistemas según la normativa de seguridad para circuitos eléctricos, altas presiones y fluidos agresivos y peligrosos.
- Se le ha autorizado, formado o instruido para trabajar con circuitos eléctricos para sistemas peligrosos.
- Está formado o instruido para el cuidado y uso correctos del equipo de seguridad adecuado de acuerdo con las disposiciones de seguridad correspondientes.

 ADVERTENCIA
Aparato no adecuado para áreas potencialmente explosivas Riesgo de explosión
<ul style="list-style-type: none">• Se debe utilizar únicamente equipos homologados y respectivamente etiquetados para el uso en las áreas potencialmente explosivas previstas.

Consulte también

Datos técnicos (Página 74)

 ADVERTENCIA
Pérdida de seguridad del aparato con el tipo de protección "Seguridad intrínseca Ex i"
Si el aparato ya ha funcionado en circuitos de seguridad no intrínseca o las especificaciones eléctricas no se han tenido en cuenta, la seguridad del aparato ya no se garantiza para el uso en áreas potencialmente explosivas. Existe riesgo de explosión.
<ul style="list-style-type: none">• Conecte el aparato con el tipo de protección "Seguridad intrínseca" únicamente a un circuito de seguridad intrínseca.• Tenga en cuenta las especificaciones de los datos eléctricos recogidas en el certificado y/o en Datos técnicos (Página 74).

3 Descripción

3.1 Campo de aplicación

El transmisor de presión LH300 consiste en una sonda de inmersión para la medida del nivel hidrostático. El transmisor de presión mide los niveles de líquidos en tanques, depósitos, canales y embalses.

El transmisor de presión está disponible para diferentes rangos de medida y opcionalmente también en la versión protegida contra explosiones. Para el fácil montaje ofrecemos una caja de conexión de cable y una pinza de retención como accesorios.

El transmisor de presión se usa, entre otros, en los siguientes sectores industriales:

- Abastecimiento de agua
- Para utilizar en depósitos y pozos sin presión o abiertos

3.2 Estructura

El transmisor de presión cuenta con un sensor de cerámica integrado, que está equipado con un puente de Wheatstone para medir la resistencia.

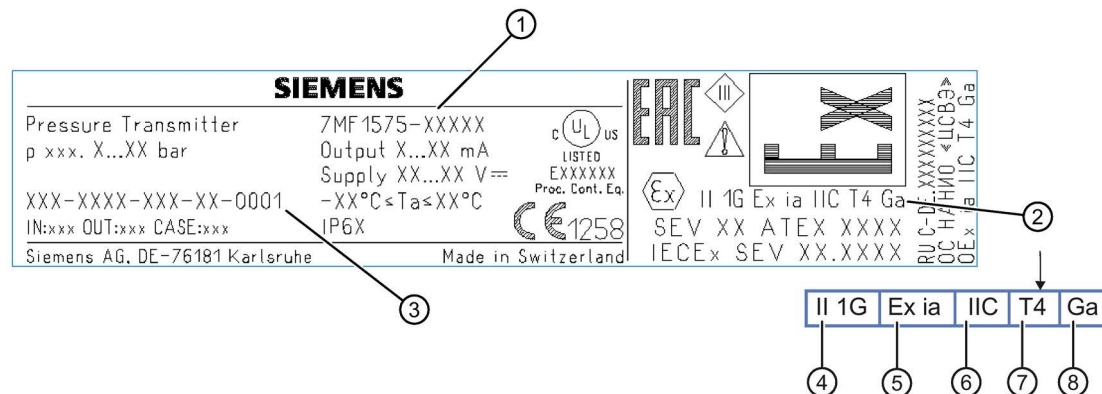
El transmisor de presión está equipado con un sistema electrónico que viene incorporado en conjunto con el sensor en una caja de acero inoxidable. En el cable de conexión también hay integrado un tubo de purga de aire.

La membrana de medida está protegida de manera eficiente de las influencias exteriores por medio de una cubierta de protección.

El sensor, la electrónica y el cable de conexión están alojados en una caja de dimensiones pequeñas.

El transmisor de presión es adecuado para un amplio rango de temperaturas.

3.3 Estructura placa de características



- | | |
|---|---|
| ① Referencia | ⑤ Modo de protección |
| ② Características para áreas con peligro de explosión | ⑥ Grupo (gas, polvo) |
| ③ Número de fabricación | ⑦ Temperatura superficial máxima (clase de temperatura) |
| ④ Categoría para el campo de aplicación | ⑧ Grupo (gas) |

Figura 3-1 Ejemplo de placa de características

En el transmisor de presión se halla la placa de características, que incluye la referencia y otra información importante, como los detalles constructivos o los datos técnicos.

En el modelo de transmisor para zonas con peligro de explosión también se muestra información sobre el certificado correspondiente.

3.4 Modo de operación

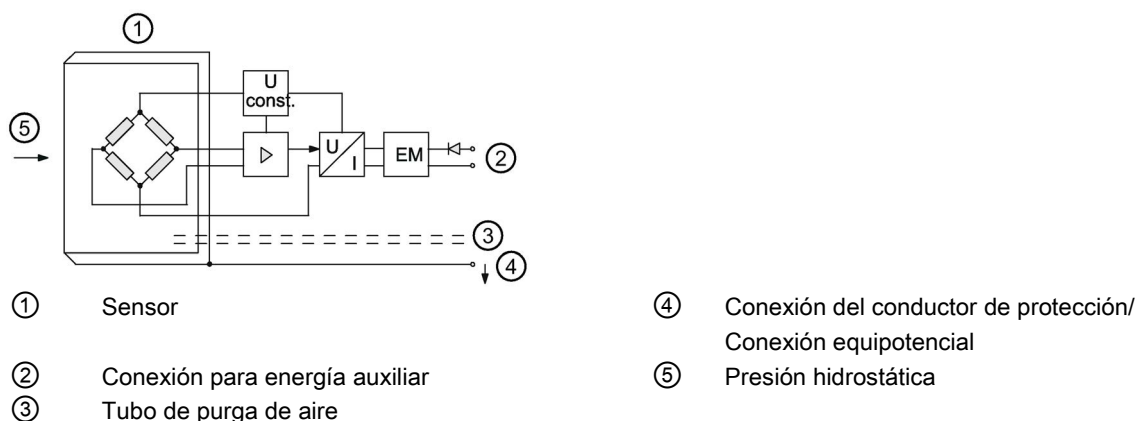


Figura 3-2 Transmisor de presión, modo de operación y esquema de conexiones

En un lado del sensor ① la membrana está sometida a la influencia de una presión hidrostática ⑤ proporcional a la profundidad de inmersión. Esta presión se compara con la presión atmosférica. La compensación de la presión se efectúa por medio del tubo de purga de aire ③, que viene integrado en el cable de conexión.


La presión hidrostática de la columna de líquido actúa sobre la membrana del sensor y transmite la presión al puente de Wheatstone del sensor, encargado de medir la resistencia.

La señal de tensión de salida del sensor es conducida hacia el sistema electrónico, donde se convierte en una señal de corriente de salida equivalente a entre 4 y 20 mA.

La conexión del conductor de protección/conexión equipotencial ④ está conectada a la caja.

4 Montaje incorporado/adosado

4.1 Consignas básicas de seguridad


 ADVERTENCIA
Piezas no aptas para el contacto con los medios a medir Riesgo de lesiones o daños en el aparato. Es posible que se emitan medios calientes, tóxicos y corrosivos si el medio a medir no es apto para las piezas en contacto con el mismo. <ul style="list-style-type: none">• Asegúrese de que el material de las piezas del aparato que están en contacto con el medio a medir es adecuado para el mismo. Consulte la información que se da en Datos técnicos (Página 74).

Nota

Compatibilidad de los materiales

Siemens puede proporcionarle soporte sobre la selección de los componentes del sensor que están en contacto con los medios a medir. Sin embargo, usted es responsable de la selección de los componentes. Siemens no acepta ninguna responsabilidad por daños o averías derivados por el uso de materiales incompatibles.

4.1.1 Se ha excedido la presión de servicio máxima admisible

 ADVERTENCIA
Se ha excedido la presión de servicio máxima admisible Riesgo de lesiones o intoxicación. La presión de servicio máxima admisible depende de la versión del aparato, el límite de temperatura y la clase de temperatura. El aparato se puede dañar si se excede la presión de servicio. Existe la posibilidad de que se emitan medios calientes, tóxicos y corrosivos. Asegúrese de no exceder la presión de servicio máxima admisible del aparato. Consulte la información en la placa de características y/o en Datos técnicos (Página 74).

ATENCIÓN

Uso del aparato cuando el medio a medir está congelado

Daños en el aparato debido a la formación de hielo.

- Evite la formación de hielo en el transmisor de presión. El medio a medir no debe congelarse.

4.1.2 Montaje correcto

ATENCIÓN
Montaje incorrecto El dispositivo puede averiarse, destruirse o ver disminuida su funcionalidad debido a un montaje erróneo. <ul style="list-style-type: none">• Antes de la instalación, asegúrese de que no haya ningún daño visible en el dispositivo.• Asegúrese de que los conectores del proceso estén limpios y de utilizar las juntas y los pasacables adecuados.• Monte el aparato usando las herramientas adecuadas. Consulte la información en Datos técnicos (Página 74) para los pares de apriete recomendados.

! PRECAUCIÓN

Pérdida del tipo de protección

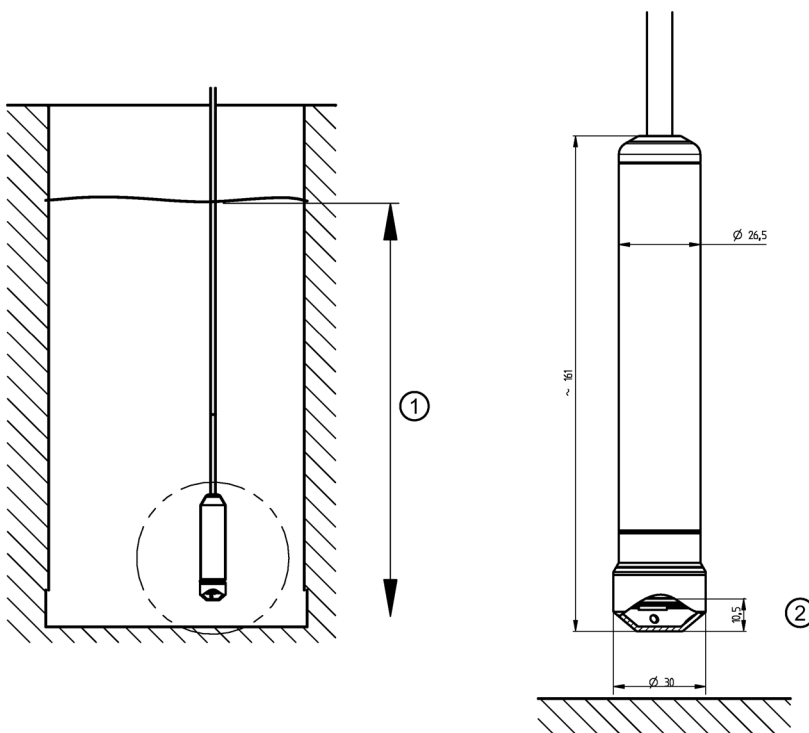
Avería del aparato si la envolvente está abierta o no está cerrada de forma adecuada. El tipo de protección especificado en la placa de características o en Datos técnicos (Página 74) ya no está garantizado.

- Asegúrese de que el aparato está cerrado de forma segura.

Consulte también

Montaje incorporado/adosado (Página 67)

4.2 Montar

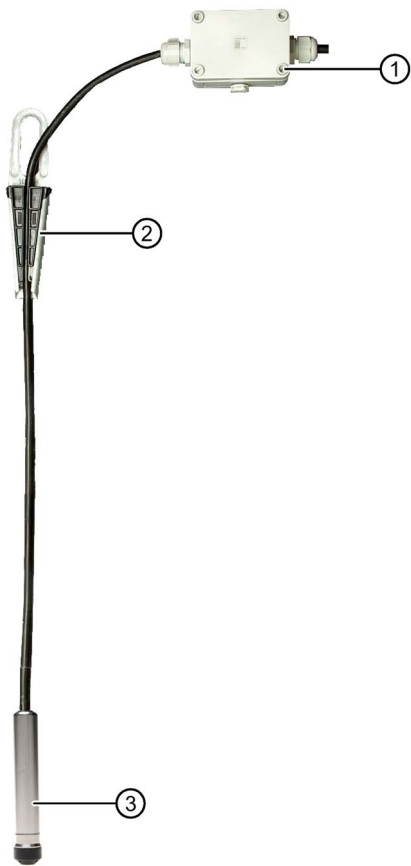


- ① Nivel
② Altura de referencia de medida

Figura 4-1 Montar el transmisor de presión (ejemplo con cubierta de protección de PPE)

1. Monte el transmisor de presión en el cable de modo que quede suspendido hacia abajo.
2. Para evitar errores de medición, fije el transmisor de presión si los medios a medir están en movimiento.
3. Fije el transmisor de presión al sensor utilizando un tubo guía o un peso adicional (fuerza de tracción máx. de 360 N en el cable de conexión).
4. Fije el cable por encima del depósito con la pinza de retención.
5. Conecte el cable a la caja de conexión de cable.
6. Monte la caja de conexión de cable en un lugar que se corresponda con su grado de protección (IP66) y cerca del punto de medición.
7. Para garantizar un funcionamiento idóneo, observe que los orificios de entrada ubicados en la cubierta de protección del transmisor de presión no acumulen suciedad y el medio medido no se congele en el transmisor de presión.

4.3 Configuración del punto de medición



- ① Caja de conexión de cable
- ② Pinza de retención
- ③ Transmisor de presión

Figura 4-2 Configuración del punto de medición

4.4 Determinación del rango de medida

Cálculo del rango de medida para fluidos con una densidad $\neq 1000 \text{ kg/m}^3$ (fluido \neq agua)

$$p = \rho * g * h$$

con:

ρ = densidad del fluido

g = aceleración local de la gravedad

h = nivel máximo

5 Conexión

5.1 Consignas básicas de seguridad

ADVERTENCIA

Longitud de cable máxima excedida para aparatos con grado de protección contra ignición Seguridad intrínseca "Ex i"

Peligro de explosión en atmósferas con peligro de explosión.

Observe la longitud de cable máxima permitida con el fin de cumplir los requisitos para aparatos con grado de protección contra ignición Seguridad intrínseca "Ex i".

ADVERTENCIA

Cables inapropiados, pasacables y/o conectores

Riesgo de explosión en áreas peligrosas

- Solo deben usarse pasacables y conectores que cumplan con los requisitos correspondientes al tipo de protección.
- Apriete los pasacables de acuerdo con los pares especificados en Datos técnicos (Página 74).
- Cierre las entradas de cable no empleadas de las conexiones eléctricas.
- Si se desea reemplazar los pasables, utilice únicamente pasacables del mismo tipo.
- Después de la instalación compruebe que los cables estén colocados firmemente.

ADVERTENCIA

Alimentación incorrecta

Peligro de explosión en atmósferas potencialmente explosivas y pérdida de seguridad del equipo en caso de alimentación incorrecta, p. ej., si se utiliza corriente continua en lugar de corriente alterna.

- Conecte el equipo de acuerdo a los circuitos de alimentación y de señales especificados. Puede consultar las especificaciones correspondientes en los certificados, en el capítulo "Datos técnicos (Página 74)" o en la placa de características.
- Alimente el equipo solo con energía limitada. Tenga en cuenta las siguientes normas sobre energía limitada: UL61010-1 3rd Edition, capítulo 9.3 o LPS (Low Power Supply) de conformidad con UL60950-1 o bien clase 2 de conformidad con UL1310 o UL1585.

ADVERTENCIA

Tensión demasiado baja no segura

Riesgo de explosión en áreas potencialmente explosivas debido a descargas disruptivas.

- Conecte el aparato a una tensión extra baja con aislamiento seguro (SELV).

ADVERTENCIA

Falta la conexión equipotencial

Riesgo de explosión por intensidades de compensación o de encendido debido a la falta de conexión equipotencial.

- Asegúrese de que el dispositivo esté nivelado potencialmente.

Excepción: se permite omitir la conexión equipotencial para los dispositivos con el tipo de protección "Seguridad intrínseca Ex i".

ADVERTENCIA

Extremos del cable sin protección

Riesgo de explosión debido a los extremos del cable sin protección en áreas potencialmente explosivas.

- Proteja los extremos del cable que no se utilicen conforme a la norma IEC/EN 60079-14.

⚠ ADVERTENCIA

Tendido incorrecto de cables apantallados

Riesgo de explosión por intensidades de compensación entre áreas con y sin peligro de explosión.

- Los cables apantallados que cruzan áreas con peligro de explosión solo deben ponerse a tierra por un extremo.
- Si es necesario poner a tierra los dos extremos, utilice un conductor de conexión equipotencial.

⚠ ADVERTENCIA

Conexión del aparato en estado activado

Riesgo de explosión en áreas peligrosas

- Conecte los aparatos en áreas potencialmente explosivas únicamente en estado desactivado.

Excepciones:

- Los dispositivos con el tipo de protección "Seguridad intrínseca Ex i" también pueden conectarse en estado activado en áreas potencialmente explosivas.
- Las excepciones para el tipo de protección "Antichispas nA" (zona 2) están reguladas en el certificado pertinente.

Nota

Compatibilidad electromagnética (CEM)

Este aparato se puede usar en viviendas, entornos industriales y pequeños negocios.

Para carcasas de metal hay una mayor compatibilidad electromagnética en comparación con la radiación de alta frecuencia. Esta protección puede incrementarse mediante la puesta a tierra de la carcasa, consulte Conexión (Página 70).

Nota

Aumento de la inmunidad contra perturbaciones

- Tienda los cables de señales de forma que estén aislados de las líneas con tensiones superiores a los 60 V.
- Utilice cables trenzados.
- Observe que el aparato y los cables deben guardar cierta distancia con fuertes campos electromagnéticos.

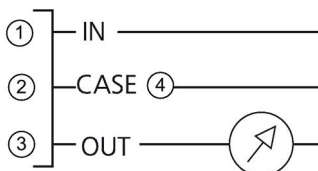
5.2 Conexión del aparato

Procedimiento

Conecte el transmisor de presión a la caja de conexión de cable del siguiente modo:

1. Conecte el cable del transmisor de presión a los bornes 1 (-), 2 (+) y a tierra.
2. Introduzca el tubo de purga de aire en la caja de conexión de cable.

El tubo de purga de aire debe estar en contacto con la atmósfera. Para ello se utiliza el filtro estanco al agua situado en la carcasa de la caja de conexión de cable.



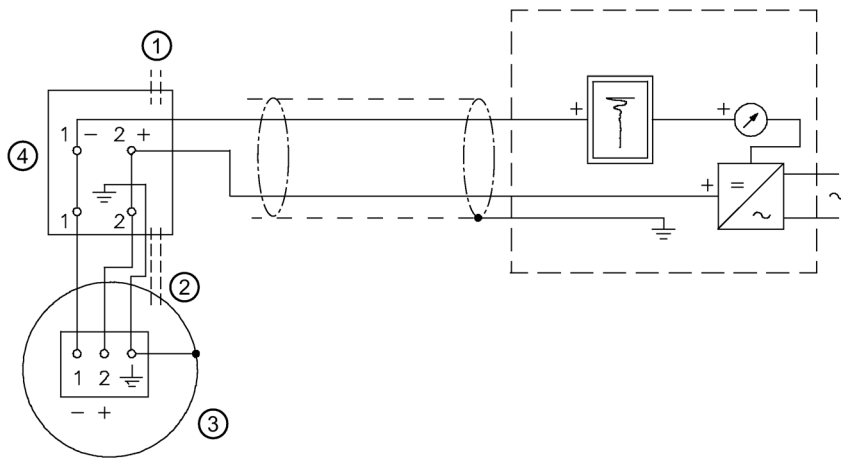
- ① Marrón
- ② Negro

- ③ Azul
- ④ Conexión del conductor de protección/conexión equipotencial

Figura 5-1 Conexión eléctrica

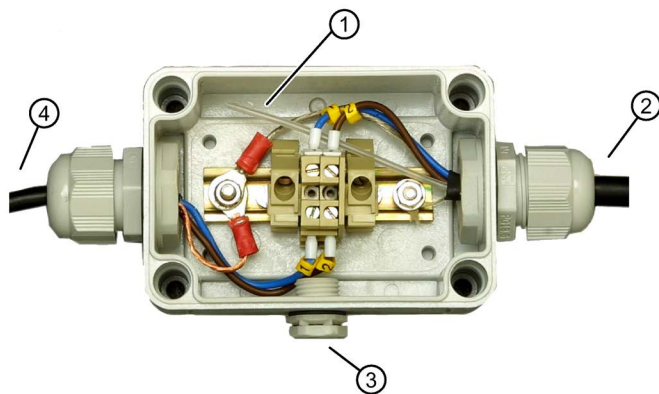
Ejemplo

Para aplicaciones en atmósferas sin peligro de explosión el transmisor de presión puede conectarse del siguiente modo:



- | | | | |
|---|-----------------------|---|---------------------------|
| ① | Presión atmosférica | ③ | Transmisor |
| ② | Tubo de purga de aire | ④ | Caja de conexión de cable |

Figura 5-2 Esquema de conexiones



- | | | | |
|---|-------------------------------|---|--|
| ① | Tubo o tubos de purga de aire | ③ | Purga del aire de la caja de conexión de cable |
| ② | Hacia el transmisor | ④ | Hacia el procesamiento de valores medidos |

Figura 5-3 Caja de conexión de cable abierta

6 Puesta en marcha

6.1 Consignas básicas de seguridad

ADVERTENCIA

Puesta en servicio incorrecta en áreas potencialmente explosivas

Fallo del dispositivo o riesgo de explosión en áreas potencialmente explosivas.

- No ponga en marcha el dispositivo hasta que haya sido montado completamente y conectado conforme a la información indicada en Datos técnicos (Página 74).
- Antes de la puesta en marcha tenga en cuenta el efecto en otros dispositivos del sistema.

6.2 Calibrado

El transmisor de presión viene calibrado de fábrica para el rango de medida y no puede calibrarse posteriormente.

7 Puesta a punto y mantenimiento

7.1 Consignas básicas de seguridad

Nota

El dispositivo no requiere mantenimiento.

ADVERTENCIA

No se permite la reparación de dispositivos protegidos contra explosión

Riesgo de explosión en áreas potencialmente explosivas.

- Las tareas de reparación deben ser realizadas únicamente por personal autorizado por Siemens.

ADVERTENCIA

Uso de un PC en un área potencialmente explosiva

Si la interfaz hacia el PC se usa en un área potencialmente explosiva, existe riesgo de explosión.

- Asegúrese de que la atmósfera no sea explosiva (permiso de trabajo en zona restringida).

7.2 Calibrado

El transmisor de presión viene calibrado de fábrica para el rango de medida y no puede calibrarse posteriormente.

7.3 Trabajos de mantenimiento y reparación

ADVERTENCIA

Accesorios y repuestos no admisibles

Riesgo de explosión en áreas potencialmente explosivas.

- Use únicamente accesorios y repuestos originales.
- Tenga en cuenta las instrucciones de instalación y seguridad pertinentes descritas en las instrucciones del dispositivo o del encapsulado con los accesorios y los repuestos.

ATENCIÓN

Medición errónea por contaminación

El fluido puede contaminar el transmisor de presión.

- Observe que los orificios de entrada ubicados en la cubierta de protección del transmisor de presión no acumulen suciedad.

7.4 Procedimiento para devoluciones

Adjunte el albarán de entrega, el documento de devolución y la declaración de descontaminación en una funda transparente y fíjela bien en la parte exterior del embalaje.

Formularios requeridos

- Albarán
- Hoja de ruta para productos devueltos (<http://www.siemens.com/processinstrumentation/returngoodsnote>)

Con la siguiente información:

- Descripción del producto
 - Número de unidades/recambios devueltos
 - Motivo de devolución
- Declaración de descontaminación (<http://www.siemens.com/sc/declarationofdecontamination>)
Mediante esta declaración usted garantiza "que el dispositivo/recambio se ha limpiado cuidadosamente y no presenta residuos. El dispositivo/recambio no supone un peligro para las personas ni el medio ambiente".
Si el dispositivo/recambio devuelto debe entrar en contacto con sustancias tóxicas, corrosivas, inflamables o contaminantes para el agua, debe limpiarlo y descontaminarlo minuciosamente antes de devolverlo, a fin de asegurar que todas sus zonas huecas están libres de sustancias peligrosas. Compruebe el producto después de limpiarlo.
Todo dispositivo/recambio devuelto sin la correspondiente declaración de descontaminación será limpiado a cargo suyo antes de iniciar cualquier operación.

7.5 Eliminación



Los dispositivos identificados con este símbolo no pueden eliminarse a través de los servicios municipales de recogida de basuras, de acuerdo con la Directiva 2012/19/CE de residuos de aparatos eléctricos y electrónicos (WEEE).

Pueden devolverse al fabricante en el territorio de la CE o bien entregarse a un servicio de recogida local autorizado. Tenga en cuenta la normativa específica vigente en su país.

Encontrará más información sobre los dispositivos con baterías en: Información sobre la devolución de baterías/productos (WEEE)

(<https://support.industry.siemens.com/cs/document/109479891/>)

Nota

Eliminación especial requerida

El dispositivo incluye componentes que requieren una eliminación especial.

- Deseche el dispositivo correctamente y de forma no contaminante a través de un contratista local de eliminación de residuos.




8 Datos técnicos

Entrada presión relativa

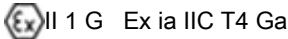
Magnitud de medida Nivel hidrostático

Entrada presión relativa		
Rango de medida, presión de servicio máx. admisible (conforme a la Directiva de equipos a presión 97/23/CE) y presión de prueba máx. admisible (conforme a DIN 16086)	Rango de medida	Presión de servicio máx. admisible MAWP (PS)
	0...0,1 bar	1,5 bar
	0...1 mH ₂ O (0...3 ftH ₂ O)	15 mH ₂ O (45 ftH ₂ O)
	0...0,2 bar	1,5 bar
	0...2 mH ₂ O	15 mH ₂ O (45 ftH ₂ O)
	0... 0,3 bar	1,5 bar
	0...3 mH ₂ O (0...9 ftH ₂ O)	21,8 psi 15 mH ₂ O (45 ftH ₂ O)
	0... 0,4 bar	2 bar
	0...4 mH ₂ O (0...12 ftH ₂ O)	29 psi 20 mH ₂ O (66 ftH ₂ O)
	0... 0,5 bar	2 bar
	0...5 mH ₂ O (0...15 ftH ₂ O)	29 psi 20 mH ₂ O (66 ftH ₂ O)
	0... 0,6 bar	2 bar
	0...6 mH ₂ O (0...18 ftH ₂ O)	29 psi 20 mH ₂ O (66 ftH ₂ O)
0... 1 bar	5 bar	
0...10 mH ₂ O (0...30 ftH ₂ O)	72 psi 51 mH ₂ O (167 ftH ₂ O)	
0... 2 bar	10 bar	
0...20 mH ₂ O (0...60 ftH ₂ O)	145 psi 102 mH ₂ O (334 ftH ₂ O)	
0... 4 bar	20 bar	
0...40 mH ₂ O (0...120 ftH ₂ O)	204 mH ₂ O (669 ftH ₂ O)	
Salida de 2 conductores		
Señal de salida	4 ... 20 mA	
Carga	Resistencia R [Ω]	
	$R_{\max} = \frac{U_H - 10 \text{ V}}{0,02 \text{ A}}$	
	Rmax es la resistencia máxima del cable de alimentación	
U _H	Energía auxiliar en V	
Precisión de medida (conforme a EN 60770-2)		
Condiciones de referencia	<ul style="list-style-type: none"> • Curva característica ascendente • Principio de la medición en 0 bar • Temperatura ambiente de 25 °C (77 °F) • Tensión nominal 24 V DC 	
Desviación de medida con ajuste de punto límite, incluida histéresis y para repetibilidad de rango de medida	0,15 % del valor final del rango (típico) 0,3 % del valor final del rango (máximo)	
Influencia de la temperatura ambiente		

Precisión de medida (conforme a EN 60770-2)	
Cero y rango de medida	0,05 % del rango de medida por 10 K
Estabilidad a largo plazo	
Cero y rango de medida	0,15 % del valor final del rango por año
Influencia de la energía auxiliar	0,01 % por 1 V de cambio de tensión
Condiciones de servicio	
Condiciones de montaje	
Condiciones ambientales	
• Temperatura ambiente	-10 ... +80 °C (-4 ... +176 °F)
– Altitud	máx. 2 000 msnm.
– Humedad relativa	0 ... 100 %
Nota	Respete la clase de temperatura en las áreas con peligro de explosión.
Temperatura de almacenamiento	-20 ... +80 °C (-4 ... +176 °F)
• Grado de protección según EN 60529	IP68
• Compatibilidad electromagnética	
Emisión de perturbaciones e inmunidad a las perturbaciones	Según EN 61326-1 y EN 61326-2-3
Condiciones del medio medido	
• Temperatura del medio medido	-10 ... +80 °C (-4 ... +176 °F)
Construcción mecánica del transmisor de presión	
Peso	
• Transmisor de presión	Aprox. 0,4 kg (0.88 lb)
• Cables	0,08 kg/m (aprox. 0.059 lb/ft)
Material	
• Material de las piezas en contacto con el medio a medir	
Caja	Acero inoxidable, n.º de material 1.4404/316L o 1.4539/904L
Sensor	Cerámica Al ₂ O ₃ (99,6 %)
Cable	PE-HD, FEP
Cubierta de protección	PPE, ETFE, acero inoxidable (1.4404/316L o 1.4539/904L)
Material de la junta	FPM, EPDM (para agua potable)
Conexión eléctrica	Longitudes: 3, 5, 10, 15, 20, 30, 40, 50, ..., 1000 m La longitud de cable máxima permitida para aparatos con grado de protección contra ignición Seguridad intrínseca "Ex i" es de 300 m.
Par de apriete tuerca de racor con pasacables de	Plástico 2,5 Nm (1,8 ft lb)
Construcción mecánica de la caja de conexión de cable 7MF1575-8AA (accesorio)	
Campo de aplicación	Para la conexión del cable del transmisor
Peso	0,2 kg (0,44 lb)

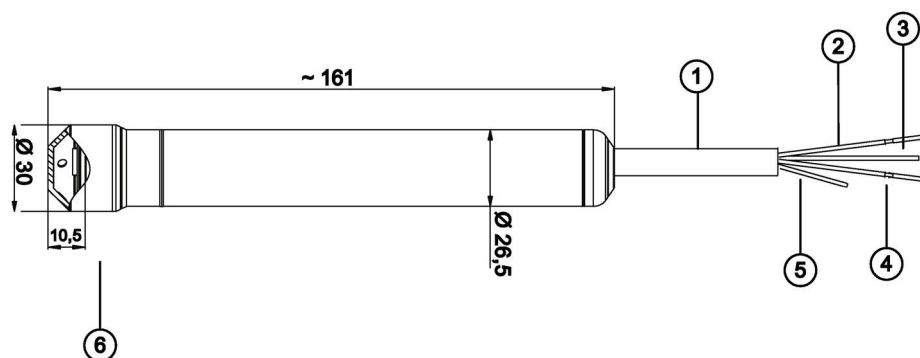
Construcción mecánica de la caja de conexión de cable 7MF1575-8AA (accesorio)	
Conexión eléctrica	2 triples (diámetro del cable de 1 mm ² a 1,5 mm ²)
Entrada de cables	2 x Pg 13,5
Material de la caja	Polycarbonato
Tubería de purga de aire para presión atmosférica	
Tornillo para cable portante	
Par de apriete tuerca de racor con pasacables de	Plástico 2,5 Nm (1.8 ft lb)
Condiciones de servicio	
<ul style="list-style-type: none"> Grado de protección según EN 60 529 IP65 	
Construcción mecánica de la pinza de retención 7MF1575-8AB (accesorio)	
Campo de aplicación	Para la fijación del transmisor
Peso	0,16 kg (0,35 lb)
Conexión eléctrica	Acero galvanizado, poliamida
Energía auxiliar U_H	
Tensión de bornes en el transmisor	 10 V ... 30 V DC  10 V ... 33 V DC 
Consumo	< 20,5 mA
Protección contra inversión de polaridad	Sí

8.1 Certificados y homologaciones

Certificados y homologaciones	
Agua potable (ACS)	en preparación
Agua potable (WRAS)	en preparación
Agua potable (DVGW/ KTW W270)	en preparación
EAC	en preparación
Underwriters Laboratories (UL)	en preparación
Construcción naval	en preparación
<ul style="list-style-type: none"> • GL • LR • DNV • BV • ABS 	
Protección contra explosión	
Seguridad intrínseca "i"	Marcado
<ul style="list-style-type: none"> • ATEX • IEC Ex 	
Conexión	A circuito de seguridad intrínseca certificado con valores máximos: $U_i = 30 \text{ V}$, $I_i = 100 \text{ mA}$, $P_i = 750 \text{ mW}$
Capacidad interna efectiva	$C_i = 2 \text{ nF} + 0,204 \text{ nF}$ (por metro de cable de alimentación en el transmisor de presión)
Inductancia interna efectiva	$L_i = 8 \text{ } \mu\text{H} + 1,48 \text{ } \mu\text{H}$ (por metro de cable de alimentación en el transmisor de presión)
EAC Ex	en preparación

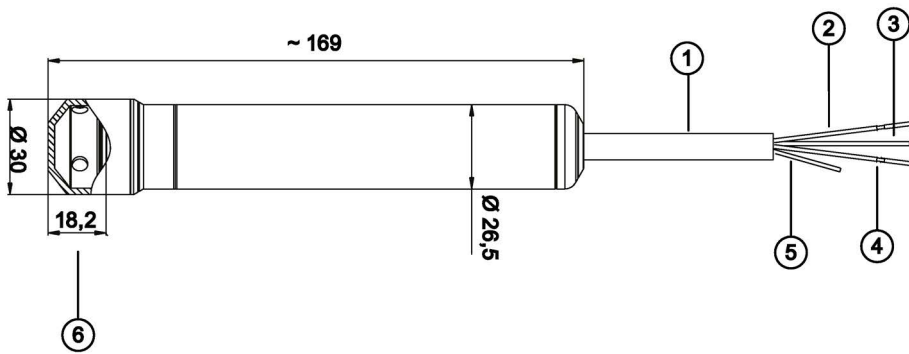
9 Croquis acotados

Transmisor de presión



- | | |
|---|--|
| ① Cable, cubierta de 8,3 mm de diámetro | ④ Conexión del conductor de protección/ conexión equipotencial |
| ② - (azul) | ⑤ Tubo de purga de aire, 1 mm de diámetro (diámetro interior) |
| ③ + (marrón) | ⑥ Cubierta de protección con un orificio de 4 x 2,5 mm de diámetro |

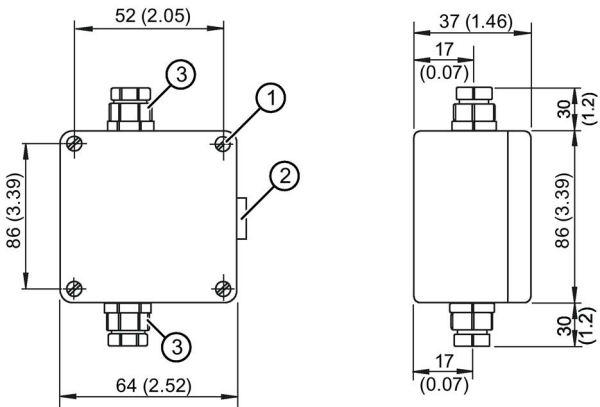
Figura 9-1 Transmisor de presión con cubierta de protección de PPE/ETFE, dimensiones en mm



- ① Cable, cubierta de 8,3 mm de diámetro
- ② - (azul)
- ③ + (marrón)
- ④ Conexión del conductor de protección/ Conexión equipotencial
- ⑤ Tubo de purga de aire, 1 mm de diámetro (diámetro interior)
- ⑥ Cubierta de protección con un orificio de 4 x 5 mm de diámetro

Figura 9-2 Transmisor de presión con cubierta de protección de acero inoxidable, dimensiones en mm

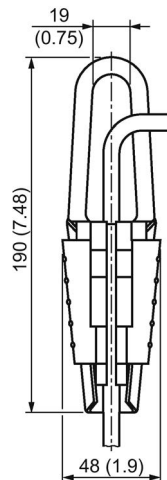
Caja de conexión de cable



- ① Orificio de fijación
- ② Válvula de purga
- ③ Pasacables Pg 13,5

Figura 9-3 Caja de conexión de cable, dimensiones en mm (pulgadas)

Pinza de retención



Pinza de retención, dimensiones en mm (pulgadas)

A Anexo A

A.1 Soporte técnico

Asistencia técnica

Si esta documentación no ofrece respuesta clara a las preguntas técnicas que puedan surgir, póngase en contacto con el Technical Support en:

- Support Request (<http://www.siemens.com/automation/support-request>)
- Encontrará más información sobre nuestro soporte técnico en Soporte técnico (<http://www.siemens.com/automation/csi/service>)

Internet Service & Support

Además de nuestra documentación, Siemens ofrece una solución de asistencia integral en:

- Service & Support (<http://www.siemens.com/automation/service&support>)

Persona de contacto

Si tiene más preguntas sobre el aparato, póngase en contacto con su persona de contacto en Siemens:

- Partner (<http://www.automation.siemens.com/partner>)

Para encontrar el contacto correspondiente a su producto, en 'Todos los productos y rubros' seleccione la ruta 'Tecnología de automatización > Sistemas de sensores'.

Documentación

Encontrará la documentación de los diferentes productos y sistemas en:

- Instrucciones y manuales Instrucciones y manuales (<http://www.siemens.com/processinstrumentation/documentation>)

Consulte también

Información de producto del SITRANS P en Internet (<http://www.siemens.com/sitransp>)

Catálogo de instrumentación de procesos (<http://www.siemens.com/processinstrumentation/catalogs>)

E-mail (<mailto:support.automation@siemens.com>)

A.2 Certificados

Encontrará certificados vía Internet en Certificados

(http://www.automation.siemens.com/net/html_78/support/printkatalog.htm) o en el DVD adjunto.

Marcas registradas

Todos los nombres marcados con ® son marcas registradas de Siemens AG. Los restantes nombres y designaciones contenidos en el presente documento pueden ser marcas registradas cuya utilización por terceros para sus propios fines puede violar los derechos de sus titulares.

Exención de responsabilidad

Hemos comprobado la concordancia del contenido de esta publicación con el hardware y el software descritos. Sin embargo, como es imposible excluir desviaciones, no podemos hacernos responsable de la plena concordancia. El contenido de esta publicación se revisa periódicamente; si es necesario, las posibles las correcciones se incluyen en la siguiente edición.

Siemens AG
Division Process Industries and Drives
Postfach 48 48
90026 NÜRNBERG
ALEMANIA

SITRANS LH300 (7MF1575..) Transmisor para el nivel hidrostático
A5E37897183, 09/2016

SIEMENS

SITRANS

Trasmettitore di pressione

SITRANS LH300 (7MF1575..) Trasmettitore per livello idrostatico

Istruzioni operative sintetiche

Avvertenze di legge

Concetto di segnaletica di avvertimento

Questo manuale contiene delle norme di sicurezza che devono essere rispettate per salvaguardare l'incolumità personale e per evitare danni materiali. Le indicazioni da rispettare per garantire la sicurezza personale sono evidenziate da un simbolo a forma di triangolo mentre quelle per evitare danni materiali non sono precedute dal triangolo. Gli avvisi di pericolo sono rappresentati come segue e segnalano in ordine decrescente i diversi livelli di rischio.

PERICOLO

questo simbolo indica che la mancata osservanza delle opportune misure di sicurezza **provoca** la morte o gravi lesioni fisiche.

AVVERTENZA

il simbolo indica che la mancata osservanza delle relative misure di sicurezza **può causare** la morte o gravi lesioni fisiche.

CAUTELA

indica che la mancata osservanza delle relative misure di sicurezza può causare lesioni fisiche non gravi.

ATTENZIONE

indica che la mancata osservanza delle relative misure di sicurezza può causare danni materiali.

Nel caso in cui ci siano più livelli di rischio l'avviso di pericolo segnala sempre quello più elevato. Se in un avviso di pericolo si richiama l'attenzione con il triangolo sul rischio di lesioni alle persone, può anche essere contemporaneamente segnalato il rischio di possibili danni materiali.

Personale qualificato

Il prodotto/sistema oggetto di questa documentazione può essere adoperato solo da **personale qualificato** per il rispettivo compito assegnato nel rispetto della documentazione relativa al compito, specialmente delle avvertenze di sicurezza e delle precauzioni in essa contenute. Il personale qualificato, in virtù della sua formazione ed esperienza, è in grado di riconoscere i rischi legati all'impiego di questi prodotti/sistemi e di evitare possibili pericoli.

Uso conforme alle prescrizioni di prodotti Siemens

Si prega di tener presente quanto segue:

AVVERTENZA

I prodotti Siemens devono essere utilizzati solo per i casi d'impiego previsti nel catalogo e nella rispettiva documentazione tecnica. Qualora vengano impiegati prodotti o componenti di terzi, questi devono essere consigliati oppure approvati da Siemens. Il funzionamento corretto e sicuro dei prodotti presuppone un trasporto, un magazzinaggio, un'installazione, un montaggio, una messa in servizio, un utilizzo e una manutenzione appropriati e a regola d'arte. Devono essere rispettate le condizioni ambientali consentite. Devono essere osservate le avvertenze contenute nella rispettiva documentazione.

1 Introduzione

1.1 Finalità di questa documentazione

Le presenti istruzioni contengono tutte le informazioni necessarie per la messa in servizio e l'utilizzo dell'apparecchio. Si consiglia di leggerle attentamente prima di procedere all'installazione e alla messa in servizio. Per poter utilizzare l'apparecchio in modo corretto occorre innanzitutto osservarne il principio di funzionamento.

Queste istruzioni sono destinate alle persone che si occupano dell'installazione meccanica dell'apparecchio, del collegamento elettrico, della configurazione dei parametri, della messa in servizio nonché agli ingegneri addetti all'assistenza e alla manutenzione.

Vedere anche

Assistenza tecnica (Pagina 100)

1.2 Controllo della fornitura

1. Verificare l'imballaggio e il suo contenuto per escludere danni visibili.
2. Informare immediatamente il corriere circa i diritti al risarcimento danni.
3. Conservare i pezzi danneggiati fino al chiarimento con la casa fornitrice.
4. Sulla base dei documenti di consegna, verificare correttezza e completezza della fornitura.

AVVERTENZA

Utilizzo di un apparecchio danneggiato o incompleto

Rischio di esplosione nelle aree pericolose.

- Non utilizzare apparecchi danneggiati o incompleti.

1.3 Trasporto e immagazzinaggio

Per garantire una protezione sufficiente durante il trasporto e l'immagazzinaggio osservare quanto segue:

- Conservare l'imballaggio originale per un eventuale trasporto successivo.
- Il dispositivo/i pezzi di ricambio devono essere restituiti nel loro imballaggio originale.
- Se l'imballaggio originale non è più disponibile, assicurarsi che tutti i prodotti da spedire siano imballati in modo adatto al fine di garantirne una protezione sufficiente durante il trasporto. Siemens non si assume la responsabilità per i costi legati a eventuali danni causati durante il trasporto.

CAUTELA

Protezione insufficiente durante l'immagazzinaggio

L'imballaggio fornisce solo una protezione limitata contro l'umidità e le infiltrazioni.

- Procurarsi un imballaggio aggiuntivo in base alle necessità.

Le condizioni speciali per l'immagazzinaggio e il trasporto sono riportate nel capitolo Dati tecnici (Pagina 94).

1.4 Informazioni sulla garanzia

Il contenuto del presente manuale non è parte di un precedente o esistente accordo, promessa o rapporto giuridico né ha lo scopo di modificare questi ultimi. Gli obblighi da parte della Siemens AG sono quelli previsti dal contratto di compravendita che contiene le uniche condizioni di garanzia valide e complete. Queste condizioni di garanzia non vengono né ampliate né limitate da quanto riportato in questo manuale.


Il contenuto si riferisce alle condizioni tecniche al momento della pubblicazione. Con riserva di modifiche tecniche nell'ambito di ulteriori sviluppi.

2 Avvertenze di sicurezza

2.1 Requisiti per l'impiego sicuro

Questo apparecchio ha lasciato la fabbrica in condizioni funzionali ineccepibili. Per mantenere queste condizioni e garantire un funzionamento sicuro dell'apparecchio, osservare le presenti istruzioni operative e tutte le informazioni di rilievo per la sicurezza.

Osservare le avvertenze e i simboli riportati sull'apparecchio. Non rimuovere dall'apparecchio avvertenze e simboli in cui si raccomanda di mantenere sempre intatta la leggibilità.

Simbolo	Spiegazione
	Attenersi alle istruzioni operative

2.1.1 Leggi e disposizioni

Osservare il certificato di test, le clausole e le leggi applicabili nel proprio paese durante il collegamento, il montaggio e il funzionamento. Questi includono, ad esempio:

- Codice elettrico nazionale (NEC - NFPA 70) (USA)
- Codice elettrico canadese (CEC) (Canada)

Ulteriori clausole sulle aree pericolose sono ad esempio:

- IEC 60079-14 (internazionale)
- EN 60079-14 (EU)


2.1.2 Conformità alle Direttive Europee

Il marchio CE sull'apparecchio indica la conformità alle seguenti Direttive Europee:

Compatibilità elettromagnetica (EMC) 2014/30/UE	Direttiva del Parlamento europeo e del Consiglio concernente l'armonizzazione delle legislazioni degli Stati membri relative alla compatibilità elettromagnetica.
Atmosphère explosible ATEX 2014/34/UE	Direttiva del Parlamento europeo e del Consiglio concernente l'armonizzazione delle legislazioni degli Stati membri relative agli apparecchi e sistemi di protezione destinati a essere utilizzati in atmosfera potenzialmente esplosiva.

Le Norme applicate sono indicate nella Dichiarazione di conformità CE riportata sull'apparecchio.

2.2 Manomissione all'apparecchio

 AVVERTENZA
Modifiche errate del dispositivo
Le modifiche errate del dispositivo possono mettere in pericolo gli operatori, l'impianto e l'ambiente, soprattutto nelle aree a rischio di esplosione.
<ul style="list-style-type: none"> • Apportare modifiche solo se previste nelle istruzioni per l'uso del dispositivo. In caso contrario decadono la garanzia del costruttore e le omologazioni del prodotto.

2.3 Requisiti per applicazioni speciali

Considerato l'elevato numero di applicazioni possibili, le presenti istruzioni non possono considerare tutti i particolari delle diverse versioni del dispositivo per le varie situazioni che possono verificarsi durante la messa in servizio, l'esercizio, la manutenzione e il funzionamento in un sistema. Per avere altre informazioni oltre a quelle fornite dalle presenti istruzioni rivolgersi al punto vendita o al rappresentante Siemens della propria zona.

Nota

Funzionamento in condizioni ambientali speciali

Prima di utilizzare il dispositivo in condizioni ambientali difficili, ad es. in un impianto nucleare, o in caso di utilizzo a scopi di ricerca e di sviluppo, si consiglia di rivolgersi al proprio rappresentante Siemens o al proprio reparto applicazioni.


2.4 Impiego in aree a pericolo di esplosione

2.4.1 Personale qualificato per l'impiego in aree a pericolo di esplosione

Personale qualificato per l'utilizzo in aree pericolose


Gli addetti all'installazione, al collegamento, alla messa in servizio, al comando e alla manutenzione in aree pericolose devono essere in possesso delle seguenti qualifiche:

- operatori che dispongono dell'addestramento necessario e dell'autorizzazione all'uso e alla manutenzione di apparecchi e sistemi conformi agli standard della tecnica di sicurezza per circuiti elettrici, alte pressioni e mezzi corrosivi nonché pericolosi;
- operatori che dispongono dell'addestramento necessario e dell'autorizzazione a eseguire lavori sui circuiti elettrici in impianti a pericolo di esplosione;
- questi operatori sono qualificati alla manutenzione e all'utilizzo di apparecchi di sicurezza adeguati in ottemperanza alle disposizioni vigenti in materia.

 AVVERTENZA
Dispositivo non adatto all'utilizzo in aree pericolose Rischio di esplosione. <ul style="list-style-type: none"> • Utilizzare solo apparecchiature omologate per l'utilizzo nella relativa area pericolosa e munite dell'apposito contrassegno.

Vedere anche

Dati tecnici (Pagina 94)

 AVVERTENZA
Perdita di sicurezza nel dispositivo con tipo di protezione "sicurezza intrinseca Ex i" Se il dispositivo è già stato utilizzato in circuiti non intrinsecamente sicuri o se non ne sono state rispettate le specifiche elettriche, non è più possibile garantirne la sicurezza in caso di utilizzo in aree pericolose Rischio di esplosione. <ul style="list-style-type: none"> • Collegare i dispositivi con tipo di protezione "sicurezza intrinseca" esclusivamente a circuiti a sicurezza intrinseca. • Rispettare le caratteristiche elettriche specificate sul certificato e/o nel capitolo Dati tecnici (Pagina 94).

3 Descrizione

3.1 Campo di applicazione

Il trasmettitore di pressione LH300 è una sonda per pozzi per la misura del livello idrostatico. Il trasmettitore di pressione misura il livello dei liquidi in vasche, cisterne, canali e dighe.

Il trasmettitore di pressione è fornibile per diversi campi di misura e, a scelta, è disponibile la versione dotata di protezione contro le esplosioni. Per facilitarne l'installazione vengono forniti, come accessori, un cavo con connettore femmina e una morsa di amarro.

Il trasmettitore di pressione trova impiego, tra l'altro, nei seguenti settori industriali:

- Approvvigionamento idrico
- Per l'impiego in custodie e pozzi senza pressione/aperti

3.2 Struttura

Il trasmettitore di pressione è dotato di sensore in ceramica integrato provvisto di un ponte di Wheatstone per la misura della resistenza.

L'elettronica del trasmettitore di pressione è integrata insieme al sensore in una custodia in acciaio inox. Nel cavo di collegamento si trova inoltre un tubo per lo sfiato.

Una calotta di protezione consente il riparo efficace della membrana di misura dagli agenti esterni.

Il sensore, l'elettronica e il cavo di collegamento sono alloggiati in una custodia di piccole dimensioni.

Il trasmettitore di pressione è adatto a un ampio campo di temperatura.

3.3 Struttura targhetta identificativa

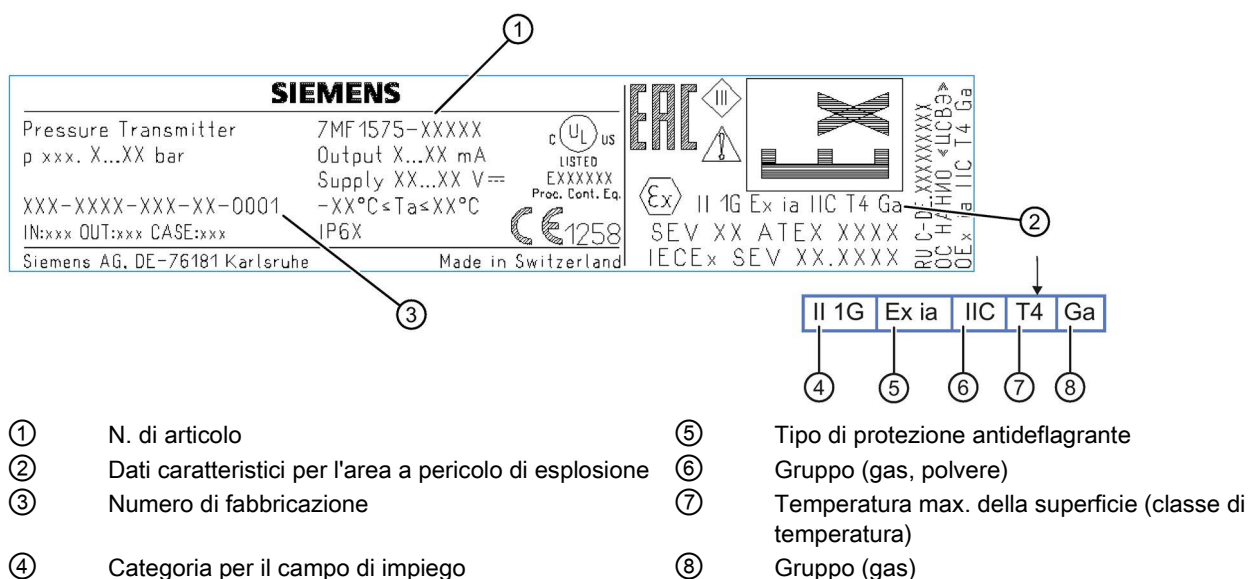


Figura 3-1 Esempio di targhetta identificativa

Sul trasmettitore di pressione si trovano la targhetta identificativa con il numero di articolo e altre indicazioni importanti, quali i dettagli costruttivi e i dati tecnici.

Nelle versioni per l'area a rischio di esplosione la targhetta del trasmettitore contiene anche le informazioni sulla rispettiva certificazione.

3.4 Funzionamento

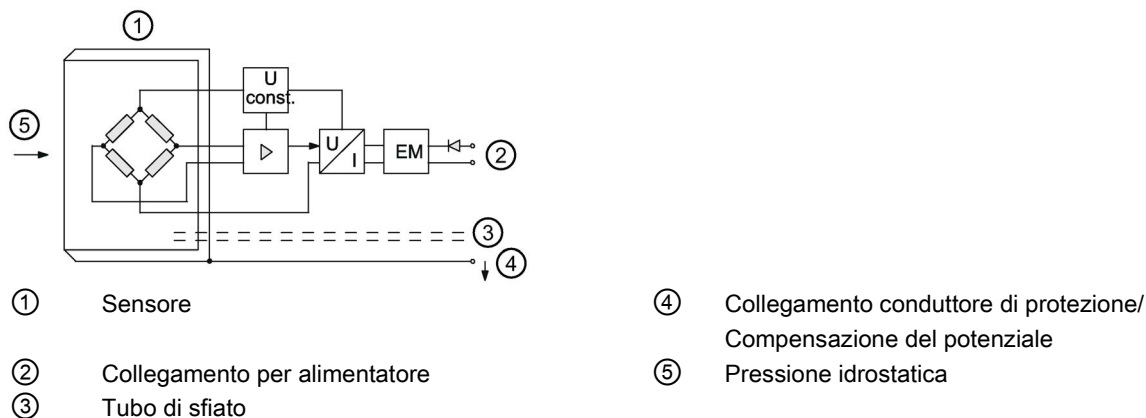


Figura 3-2 Trasmettitore di pressione, modo di funzionamento e schema di collegamento

Su un lato del sensore ① la membrana subisce l'effetto della pressione idrostatica ⑤, che è proporzionale alla profondità di immersione. La pressione idrostatica viene confrontata con quella atmosferica. La compensazione della pressione avviene nel tubo di sfiato ③ situato nel cavo di collegamento.

La pressione idrostatica della colonna idrica agisce sulla membrana del sensore e trasmette la pressione sul ponte di Wheatstone per la misura della resistenza nel sensore.

Il segnale di tensione di uscita del sensore viene inoltrato all'elettronica dove viene trasformato in un segnale di corrente di uscita da 4 a 20 mA.

Il collegamento del conduttore di protezione/la compensazione di potenziale ④ sono collegati alla custodia.

4 Installazione/Montaggio

4.1 Avvertenze di base sulla sicurezza

AVVERTENZA

Parti bagnate non adatte al contatto con le sostanze di processo

Rischio di lesioni o danni al dispositivo.

Se la sostanza di processo non è adatta a entrare in contatto con le parti bagnate, c'è il rischio che fuoriescano sostanze bollenti, tossiche e corrosive.

- Accertarsi che il materiale delle parti bagnate sia adatto alla sostanza di processo. Per informazioni consultare Dati tecnici (Pagina 94).

Nota

Compatibilità del materiale

Siemens assiste il cliente nella scelta dei componenti del sensore a contatto con la sostanza di processo. Il cliente è comunque responsabile della scelta dei componenti. Siemens non si assume alcuna responsabilità per errori o malfunzionamenti causati da materiali incompatibili.

4.1.1 Superamento della pressione di esercizio massima ammessa

AVVERTENZA

Superamento della pressione di esercizio massima ammessa

Rischio di lesioni o avvelenamento.

La pressione di esercizio massima ammessa dipende dalla versione del dispositivo, dal limite della pressione e dal campo di temperatura. Il dispositivo può subire dei danni se si supera la pressione di esercizio. C'è il rischio che fuoriescano sostanze di processo bollenti, tossiche e corrosive.

Accertarsi che non venga superata la pressione di esercizio massima ammessa nel dispositivo. Vedere le informazioni riportate sulla targhetta del nome e/o in Dati tecnici (Pagina 94).

ATTENZIONE

Impiego dell'apparecchio con sostanze di misura gelate

Danni all'apparecchio causati dalla formazione di ghiaccio.

- Evitare la formazione di ghiaccio nel trasmettitore di pressione. La sostanza di misura non si deve congelare.

4.1.2 Montaggio corretto

ATTENZIONE

Montaggio errato

In seguito a un montaggio errato il dispositivo può subire danni, essere distrutto o perdere la propria funzionalità.

- Prima di procedere all'installazione accertarsi che il dispositivo sia integro e non presenti danni visibili.
- Accertarsi che i connettori di processo siano puliti e che le guarnizioni e i pressacavi siano adatti.
- Montare il dispositivo con attrezzi adeguati. Per informazioni sui requisiti di coppia di serraggio per l'installazione consultare Dati tecnici (Pagina 94).

CAUTELA

Perdita della classe di protezione

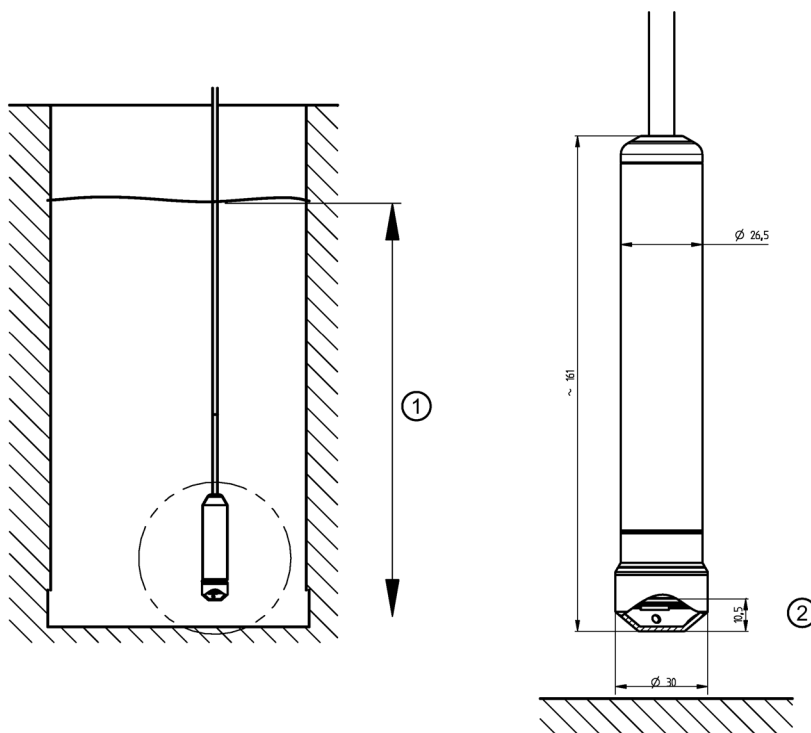
Se la custodia è aperta o non è chiusa correttamente il dispositivo può subire dei danni. Non viene garantita la classe di protezione indicata nella targhetta del nome o in Dati tecnici (Pagina 94).

- Accertarsi che il dispositivo sia chiuso correttamente.

Vedere anche

Installazione/Montaggio (Pagina 87)

4.2 Montaggio

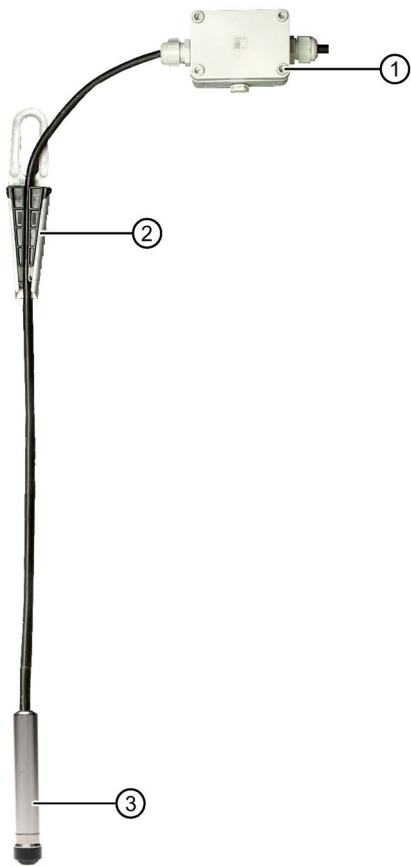


- ① Livello
② Altezza di riferimento misura

Figura 4-1 Montaggio del trasmettitore di pressione (esempio con calotta di protezione in PPE)

1. Collegare il trasmettitore al cavo girandolo verso il basso.
2. Per evitare errori di misura, fissare il trasmettitore se le sostanze di misura sono sostanze soggette a lieve oscillazione.
3. Fissare il trasmettitore utilizzando un tubo guida o posizionando un peso aggiuntivo sull'apparecchio (trazione max. sul cavo di collegamento 360 N).
4. Fissare il cavo sulla custodia con la morsa di amarro.
5. Collegare il cavo al connettore femmina.
6. Installare il connettore femmina nelle vicinanze del punto di misura in un luogo confacente al tipo di protezione (IP66) previsto per questa spina.
7. Per garantire il corretto funzionamento, accertarsi che le aperture della calotta di protezione del trasmettitore non siano sporche e che la sostanza da misurare non si congeli.

4.3 Configurazione del punto di misura



- ① Connettore femmina
- ② Morsa di amarro
- ③ Trasmettitore di pressione

Figura 4-2 Configurazione del punto di misura

4.4 Rilevamento del campo di misura

Calcolo del campo di misura con sostanze caratterizzate da una densità $\neq 1000 \text{ kg/m}^3$ (sostanza di misura \neq acqua)

$$p = \rho * g * h$$

con:

ρ = densità della sostanza di misura

g = accelerazione di gravità locale

h = livello max.

5 Collegamento

5.1 Avvertenze di base sulla sicurezza

AVVERTENZA

Superamento della lunghezza max. del cavo per apparecchi con tipo di protezione antideflagrante sicurezza intrinseca "Ex i"

Pericolo di esplosione nelle aree a rischio.

Per soddisfare i requisiti degli apparecchi con tipo di protezione antideflagrante sicurezza intrinseca "Ex i" è necessario rispettare la lunghezza max. dei cavi.

AVVERTENZA

Cavi, pressacavi e/o connettori non adatti

Rischio di esplosione nelle aree pericolose.

- Utilizzare solo pressacavi/connettori che soddisfino i requisiti previsti per il tipo di protezione rilevante.
- Serrare i pressacavi utilizzando le coppie di serraggio specificate nei Dati tecnici (Pagina 94).
- Chiudere gli ingressi dei cavi per i collegamenti elettrici non utilizzati.
- Sostituire i pressacavi solo con pressacavi dello stesso tipo.
- Dopo l'installazione controllare che i cavi siano ben fissati.

AVVERTENZA

Alimentazione inadeguata

Pericolo di esplosione nelle aree a rischio in caso di alimentazione errata, ad es. a causa dell'utilizzo di corrente continua anziché alternata.

- Collegare il dispositivo come indicato nei circuiti di alimentazione e di segnale prescritti. Le norme pertinenti sono indicate nelle certificazioni riportate nel capitolo "Dati tecnici (Pagina 94)" o sulla targhetta.
- Alimentare il dispositivo solo con energia limitata in corrente e in tensione. Per la limitazione dell'energia attenersi alle norme seguenti: UL61010-1 3rd Edition, capitolo 9.3 o LPS (Low Power Supply) in conformità con UL60950-1 o classe 2 in conformità con UL1310 o UL1585.

AVVERTENZA

Tensione bassissima non sicura

Rischio di esplosione nelle aree pericolose a causa di flashover provocato dalla tensione.

- Collegare il dispositivo a una tensione bassissima con isolamento sicuro (SELV).

AVVERTENZA

Mancanza di collegamento equipotenziale

Rischio di esplosione dovuto a correnti di compensazione o di accensione causate dalla mancanza di collegamento equipotenziale.

- Accertarsi che il dispositivo disponga di compensazione del potenziale.

Eccezione: nei dispositivi con protezione di tipo "sicurezza intrinseca Ex i" il collegamento equipotenziale non è obbligatorio.

AVVERTENZA

Estremità dei cavi non protette

Rischio di esplosione dovuto alle estremità dei cavi non protette nelle aree pericolose.

- Proteggere le estremità dei cavi come previsto nella norma IEC/EN 60079-14.

AVVERTENZA

Posa errata dei cavi schermati

Rischio di esplosione dovuto a correnti di compensazione tra l'area pericolosa e quella non pericolosa.

- I cavi schermati che attraversano aree a rischio di esplosione devono essere messi a terra solo su un'estremità.
- Se è necessario collegare a massa entrambe le estremità, utilizzare un conduttore equipotenziale.

AVVERTENZA

Collegamento del dispositivo sotto tensione

Rischio di esplosione nelle aree pericolose.

- Nelle aree pericolose collegare i dispositivi solo in assenza di tensione.

Eccezione:

- I dispositivi con tipo di protezione "sicurezza intrinseca Ex i" possono essere collegati nelle aree pericolose anche sotto tensione.
- Le eccezioni per il tipo di protezione "non-sparking nA" (zona 2) sono definite nel certificato rilevante.

Nota

Compatibilità elettromagnetica (EMC)

Questo dispositivo è utilizzabile negli ambiente industriali e domestici e nelle piccole attività artigianali.

Per le custodie di metallo è prevista una compatibilità elettromagnetica maggiore rispetto alla radiazione ad alta frequenza. La protezione può essere aumentata collegando a massa la custodia, consultare il capitolo Collegamento (Pagina 90).

Nota

Incremento della sicurezza contro i disturbi

- Posare il cavo per segnali separatamente dai conduttori con tensioni >60 V.
- Utilizzare cavi con conduttori intrecciati.
- L'apparecchiatura e i cavi devono essere lontani da forti campi elettromagnetici.

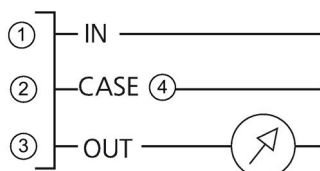
5.2 Collegamento dell'apparecchio

Procedura

Collegare il trasmettitore di pressione al connettore femmina nel modo seguente:

1. Collegare il cavo del trasmettitore ai morsetti 1 (-), 2 (+) e alla messa a terra.
2. Inserire il tubo di sfiato nel connettore femmina.

Il tubo di sfiato deve essere in contatto con l'atmosfera. Allo scopo, sulla scatola del connettore femmina è applicato un filtro impermeabile.



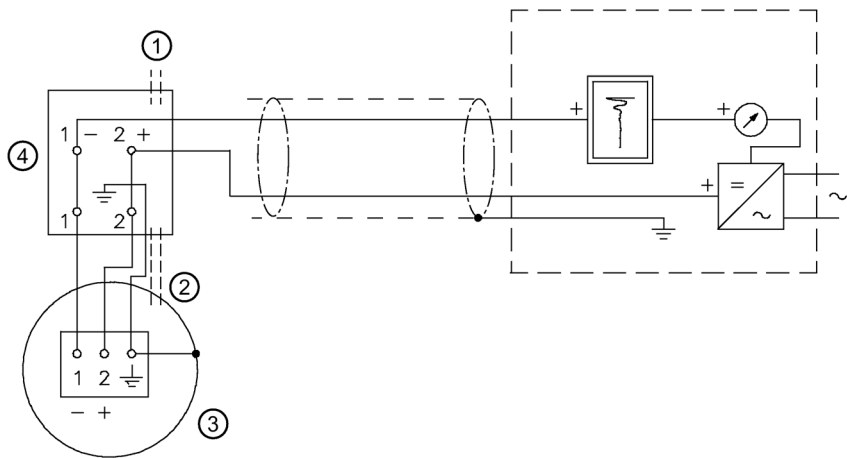
- ① Marrone
- ② Nero

- ③ Blu
- ④ Collegamento conduttore di protezione/compensazione di potenziale

Figura 5-1 Collegamento elettrico

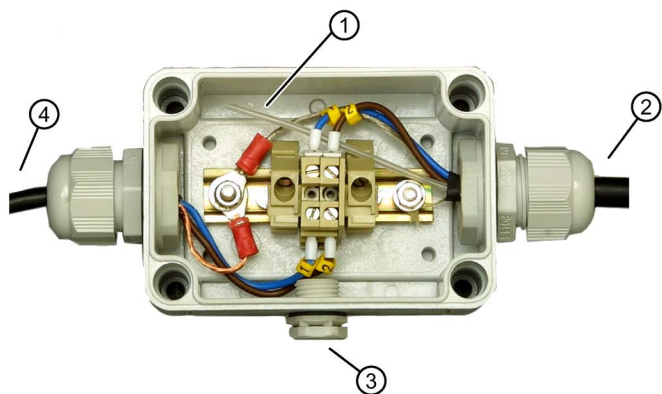
Esempio

Per le applicazioni nelle aree non a rischio di esplosione è possibile collegare il trasmettitore di pressione nel modo seguente:



- | | | | |
|---|-----------------------|---|--------------------|
| ① | Pressione atmosferica | ③ | Trasmettitore |
| ② | Tubo di sfiato | ④ | Connettore femmina |

Figura 5-2 Schema di collegamento



- | | | | |
|---|---------------------|---|--|
| ① | Tubo/tubi di sfiato | ③ | Sfiato connettore femmina |
| ② | Lato trasmettitore | ④ | Lato elaborazione del valore di misura |

Figura 5-3 Connettore femmina, aperto

6 Messa in servizio

6.1 Avvertenze di base sulla sicurezza

AVVERTENZA

Messa in servizio errata nelle aree pericolose

Guasto del dispositivo o rischio di esplosione nelle aree pericolose.

- Non mettere in servizio il dispositivo finché non è completamente montato e collegato come indicato nel capitolo Dati tecnici (Pagina 94).
- Prima di metterlo in servizio considerarne l'interazione con gli altri dispositivi del sistema.

6.2 Calibratura

Il trasmettitore di pressione è stato calibrato sul campo di misura nello stabilimento di costruzione e non può essere nuovamente calibrato.

7 Manutenzione e cura

7.1 Avvertenze di base sulla sicurezza

Nota

Il dispositivo non richiede manutenzione.

AVVERTENZA

Divieto di riparazione dei dispositivi a prova di esplosione

Rischio di esplosione nelle aree potenzialmente esplosive.

- Le riparazioni devono essere eseguite esclusivamente da personale autorizzato Siemens.

AVVERTENZA

Utilizzo di un computer in un'area pericolosa

Se si utilizza l'interfaccia verso il computer in un'area rischio c'è il rischio di esplosione.

- Accertarsi che l'atmosfera non sia a rischio di esplosione (permesso di lavoro a caldo).

7.2 Calibratura

Il trasmettitore di pressione è stato calibrato sul campo di misura nello stabilimento di costruzione e non può essere nuovamente calibrato.

7.3 Operazioni di manutenzione e riparazione

AVVERTENZA

Accessori e parti di ricambio non consentiti

Rischio di esplosione nelle aree potenzialmente esplosive.

- Impiegare solo accessori e parti di ricambio originali.
- Attenersi alle istruzioni di installazione e di sicurezza rilevanti descritte nel manuale del dispositivo o fornite con l'accessorio o la parte di ricambio.

ATTENZIONE

Misura errata dovuta alla presenza di sporcizia

Può accadere che il trasmettitore di pressione venga insudiciato dalla sostanza di misura.

- Evitare che le aperture della calotta di protezione del trasmettitore possano sporcarsi.

7.4 Procedura di restituzione

Approntare la bolla di consegna, la bolla di restituzione merci e la dichiarazione di decontaminazione in una cartella trasparente fuori dall'imballo.

Moduli richiesti

- Bolla di consegna
- Bolla restituzione merci (<http://www.siemens.com/processinstrumentation/returngoodsnote>) con le seguenti informazioni:

- Descrizione del prodotto (articolo).
- Numero di dispositivi restituiti/pezzi di ricambio
- Motivo della restituzione dell'articolo

- Dichiarazione di decontaminazione (<http://www.siemens.com/sc/declarationofdecontamination>)

Con la presente dichiarazione si garantisce "che il dispositivo/pezzo di ricambio è stato pulito accuratamente ed è privo di residui e non costituisce un pericolo per le persone e per l'ambiente."

Se il dispositivo restituito/il pezzo di ricambio è stato in contatto con sostanze tossiche, corrosive, infiammabili o inquinanti per l'acqua, pulirlo e decontaminarlo a regola d'arte prima di restituirlo, in modo da garantire che le zone cave non contengano residui di sostanze pericolose. Dopo la pulizia controllare l'unità.

In caso di restituzione di dispositivi/pezzi di ricambio privi di dichiarazione di decontaminazione, la pulizia a regola d'arte viene eseguita a spese del cliente prima di procedere alla lavorazione.

7.5 Smaltimento



I dispositivi contrassegnati da questo simbolo non possono essere smaltiti nei servizi municipali di smaltimento dei rifiuti secondo la Direttiva 2012/19/EC sui rifiuti di apparecchiature elettriche ed elettroniche (RAEE).

Gli apparecchi possono essere restituiti al fornitore che risiede all'interno dell'UE o a un servizio di smaltimento autorizzato a livello locale. Osservare i regolamenti specifici validi nel proprio paese.

Per maggiori informazioni sui dispositivi che contengono batterie consultare: Informazioni sulla restituzione delle /del prodotto (WEEE) (<https://support.industry.siemens.com/cs/document/109479891/>)

Nota

Smaltimento speciale

Il dispositivo comprende componenti che richiedono uno smaltimento speciale.

- Rivolgersi a una ditta locale specializzata per smaltire il dispositivo in modo appropriato e nel rispetto dell'ambiente.

8 Dati tecnici

Ingresso pressione relativa

Grandezza di misura

Livello idrostatico

Campo di misura, pressione di

Campo di misura

pressione di funzionamento max. ammessa MAWP (PS)

Ingresso pressione relativa		
funzionamento max. ammessa (in conformità alla Direttiva 97/23/CE in materia di attrezzature a pressione) e pressione di prova max. ammessa (in conformità a DIN 16086)	0...0,1 bar	1,5 bar
	0...1 mH ₂ O (0...3 ftH ₂ O)	15 mH ₂ O (45 ftH ₂ O)
	0...0,2 bar	1,5 bar
	0...2 mH ₂ O	15 mH ₂ O (45 ftH ₂ O)
	0... 0,3 bar	1,5 bar
	0...3 mH ₂ O (0...9 ftH ₂ O)	21,8 psi 15 mH ₂ O (45 ftH ₂ O)
	0... 0,4 bar	2 bar
	0...4 mH ₂ O (0...12 ftH ₂ O)	29 psi 20 mH ₂ O (66 ftH ₂ O)
	0... 0,5 bar	2 bar
	0...5 mH ₂ O (0...15 ftH ₂ O)	29 psi 20 mH ₂ O (66 ftH ₂ O)
0... 0,6 bar	2 bar	
0...6 mH ₂ O (0...18 ftH ₂ O)	29 psi 20 mH ₂ O (66 ftH ₂ O)	
0... 1 bar	5 bar	
0...10 mH ₂ O (0...30 ftH ₂ O)	72 psi 51 mH ₂ O (167 ftH ₂ O)	
0... 2 bar	10 bar	
0...20 mH ₂ O (0...60 ftH ₂ O)	145 psi 102 mH ₂ O (334 ftH ₂ O)	
0... 4 bar	20 bar	
0...40 mH ₂ O (0...120 ftH ₂ O)	204 mH ₂ O (669 ftH ₂ O)	
Uscita a 2 fili		
Segnale di uscita	4 ... 20 mA	
Carico	Resistenza R [Ω]	
	$R_{\max} = \frac{U_H - 10 \text{ V}}{0,02 \text{ A}}$	
	Rmax è la resistenza max. del cavo di alimentazione	
U _H	Alimentatore in V	
Accuratezza (conforme EN 60770-2)		
Condizioni di riferimento	<ul style="list-style-type: none"> • Caratteristica ascendente • Inizio misura 0 bar • Temperatura ambiente 25 °C (77 °F) • Tensione nominale 24 V DC 	
Scostamento della misura nella regolazione del punto limite, inclusa isteresi e per la ripetibilità per il campo di misura	0,15 % del valore finale del campo di misura (tipico) 0,3 % del valore finale del campo di misura (max.)	
Influsso della temperatura ambiente		

Accuratezza (conforme EN 60770-2)

Punto di zero e campo di misura	0,05 % del campo di misura ogni 10K
Stabilità a lungo termine	
Punto di zero e campo di misura	0,15 % del valore finale del campo di misura all'anno
Influsso dell'energia ausiliaria	0,01 % ogni 1V di variazione della tensione

Condizioni di impiego

Condizioni di installazione

Condizioni ambientali

- Temperatura ambiente -10 ... +80 °C (-4 ... +176 °F)
 - Altezza max. 2 000 m l.m.
 - Umidità relativa dell'aria 0 ... 100 %

Avvertenza Nelle aree a rischio di esplosione tenere conto della classe di temperatura.

Temperatura di magazzinaggio -20 ... +80 °C (-4 ... +176 °F)

- Grado di protezione secondo EN 60529 IP68
- Compatibilità elettromagnetica

Emissione di interferenze e immunità EMC Secondo EN 61326-1 e EN 61326-2-3

Condizioni della sostanza di misura

- Temperatura sostanza di misura -10 ... +80 °C (-4 ... +176 °F)

Struttura costruttiva del trasmettitore di pressione

Peso

- Trasmettitore di pressione Ca. 0,4 kg (0.88 lb)
- Cavo 0,08 kg/m (ca. 0.059 lb/ft)




Materiale

- Materiale delle parti a contatto con la sostanza di misura


Custodia	Acciaio inox 1.4404/316L o 1.4539/904L
Sensore	Ceramica Al ₂ O ₃ (99,6 %)
Cavo	PE-HD, FEP
Calotta di protezione	PPE, ETFE, acciaio inox (1.4404/316L o 1.4539/904L)
Materiale isolante	FPM, EPDM (per acqua potabile)

Collegamento elettrico Lunghezze: 3, 5, 10, 15, 20, 30, 40, 50, ..., 1000 m
La lunghezza max. consentita per i cavi degli apparecchi con tipo di protezione antideflagrante sicurezza intrinseca "Ex i" è di 300 m.

Coppia dado a risvolto in presenza di bocchettone pressacavo in Materiale sintetico
2,5 Nm (1.8 ft lb)

Struttura costruttiva del connettore femmina 7MF1575-8AA (accessorio)	
Campo di applicazione	Per il collegamento del cavo del trasmettitore
Peso	0,2 kg (0,44 lb)
Collegamento elettrico	2 x 3 (diametro del cavo da 1 mm ² a 1,5 mm ²)
Guida cavo	2 x Pg 13,5
Materiale del contenitore	Policarbonato
Tubo di sfiato per la pressione atmosferica	
Vite per fune portante	
Coppia dado a risvolto in presenza di bocchettone pressacavo in	Materiale sintetico 2,5 Nm (1.8 ft lb)
Condizioni di impiego	
• Grado di protezione secondo EN 60 529	IP65
Struttura costruttiva della morsa di amarro 7MF1575-8AB (accessorio)	
Campo di applicazione	Per il fissaggio del trasmettitore
Peso	0,16 kg (0,35 lb)
Collegamento elettrico	Acciaio zincato, poliammide
Energia ausiliaria U_H	
Tensione ai morsetti sul trasmettitore	 DC 10 V ... 30 V  DC 10 V ... 33 V 
Corrente assorbita	< 20,5 mA
Protezione dall'inversione di polarità	Sì

8.1 Certificati e omologazioni

Certificati e omologazioni	
Acqua potabile (ACS)	in preparazione
Acqua potabile (WRAS)	in preparazione
Acqua potabile (DVGW/ KTW W270)	in preparazione
EAC	in preparazione
Underwriters Laboratories (UL)	in preparazione
Costruzioni navali	in preparazione
• GL	
• LR	
• DNV	
• BV	
• ABS	
Protezione contro le esplosioni	
Sicurezza intrinseca "i"	Marchio  II 1 G Ex ia IIC T4 Ga
• ATEX	
• IEC Ex	
Collegamento	Con circuito elettrico a sicurezza intrinseca certificato con valori massimi: $U_i = 30 \text{ V}$, $I_i = 100 \text{ mA}$, $P_i = 750 \text{ mW}$
Capacità interna effettiva	$C_i = 2 \text{ nF} + 0,204 \text{ nF}$ (per ogni metro del cavo di alimentazione del trasmettitore)
Induttanza interna effettiva	$L_i = 8 \text{ } \mu\text{H} + 1,48 \text{ } \mu\text{H}$ (per ogni metro del cavo di alimentazione del trasmettitore)
EAC Ex	in preparazione

9 Disegni quotati

Trasmettitore di pressione

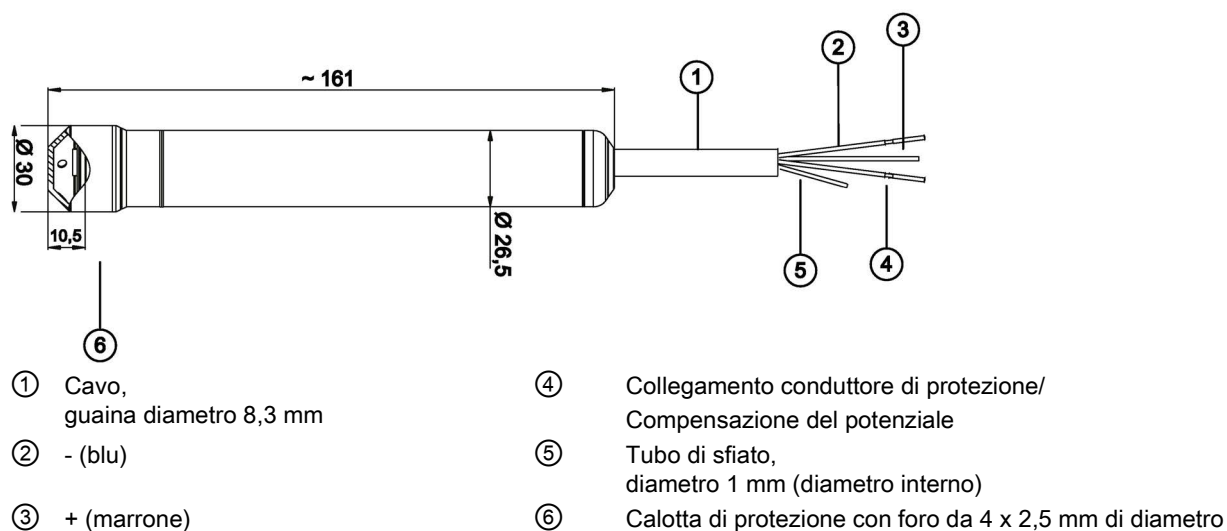
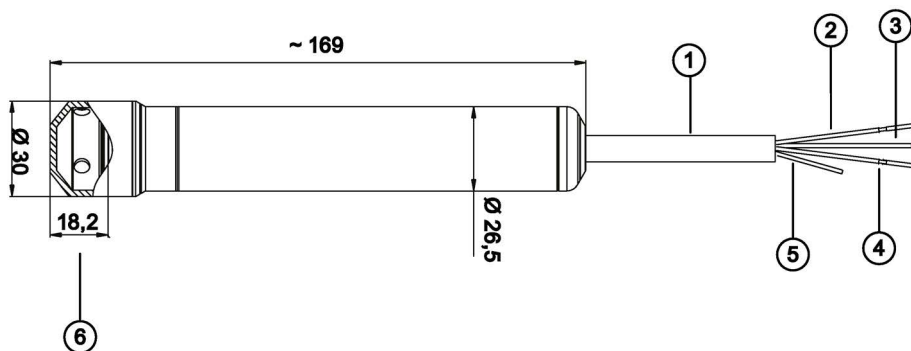


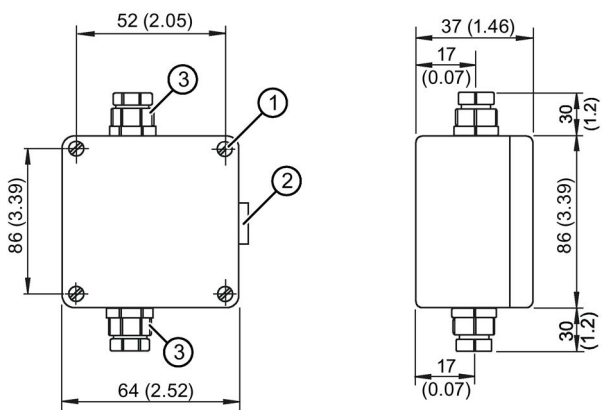
Figura 9-1 Trasmettitore di pressione con calotta di protezione in PPE/ETFE, dimensioni in mm



- | | | | |
|---|---------------------------------|---|--|
| ① | Cavo,
guaina diametro 8,3 mm | ④ | Collegamento conduttore di protezione/
Compensazione del potenziale |
| ② | - (blu) | ⑤ | Tubo di sfiato,
diametro 1 mm (diametro interno) |
| ③ | + (marrone) | ⑥ | Calotta di protezione con foro da 4 x 5 mm di diametro |

Figura 9-2 Trasmettore di pressione con calotta di protezione in acciaio inox, dimensioni in mm

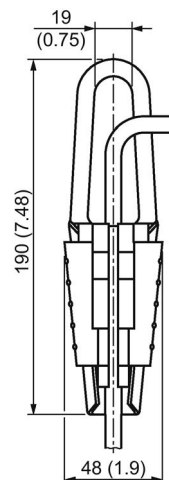
Connettore femmina



- | | | | |
|---|-------------------|---|--------------------|
| ① | Foro di fissaggio | ③ | Pressacavo Pg 13,5 |
| ② | Valvola di sfiato | | |

Figura 9-3 Connettore femmina, dimensioni in mm (inch)

Morsa di amarro



Connettore femmina, dimensioni in mm (inch)

A Appendice A

A.1 Assistenza tecnica

Supporto tecnico

Se la presente documentazione non fornisce risposte complete alle domande di carattere tecnico contattare il Supporto tecnico:

- Support Request (<http://www.siemens.com/automation/support-request>)
- Maggiori informazioni sul Supporto tecnico sono disponibili alla pagina Technical Support (<http://www.siemens.com/automation/csi/service>)

Servizi e supporto online

Oltre alla documentazione, Siemens offre una soluzione di assistenza completa alla pagina:

- Service&Support (<http://www.siemens.com/automation/service&support>)

Contatto personale

Per qualsiasi altra domanda sull'apparecchio contattare il proprio referente Siemens all'indirizzo:

- Partner (<http://www.automation.siemens.com/partner>)

Per cercare il prodotto selezionare il percorso 'Tecnica di automazione > Sistemi di sensori' in 'Tutti i prodotti e i settori'.

Documentazione

La documentazione sui diversi prodotti e sistemi è disponibile in:

- Istruzioni e manuali Guide e manuali (<http://www.siemens.com/processinstrumentation/documentation>)

Vedere anche

Informazioni sul prodotto SITRANS P in Internet (<http://www.siemens.com/sitransp>)

Catalogo strumentazione di processo (<http://www.siemens.com/processinstrumentation/catalogs>)

E-mail (<mailto:support.automation@siemens.com>)

A.2 Certificati

I certificati sono disponibili nella pagina Internet Certificazioni (<http://www.siemens.com/processinstrumentation/certificates>) o nel DVD in dotazione.

Marchio di prodotto

Tutti i nomi di prodotto contrassegnati con ® sono marchi registrati della Siemens AG. Gli altri nomi di prodotto citati in questo manuale possono essere dei marchi il cui utilizzo da parte di terzi per i propri scopi può violare i diritti dei proprietari.

Esclusione di responsabilità

Abbiamo controllato che il contenuto di questa documentazione corrisponda all'hardware e al software descritti. Non potendo comunque escludere eventuali differenze, non possiamo garantire una concordanza perfetta. Il contenuto di questa documentazione viene tuttavia verificato periodicamente e le eventuali correzioni o modifiche vengono inserite nelle successive edizioni.

Siemens AG
Division Process Industries and Drives
Postfach 48 48
90026 NÜRNBERG
GERMANIA

SITRANS LH300 (7MF1575..) Trasmittitore per livello idrostatico
A5E37897183, 09/2016

SIEMENS

SITRANS

压力变送器

SITRANS LH300 (7MF1575..)静压液位变送器

精简版操作说明

法律资讯

警告提示系统

为了您的人身安全以及避免财产损失，必须注意本手册中的提示。人身安全的提示用一个警告三角表示，仅与财产损失有关的提示不带警告三角。警告提示根据危险等级由高到低如下表示。



危险

表示如果不采取相应的小心措施，**将会**导致死亡或者严重的人身伤害。



警告

表示如果不采取相应的小心措施，**可能**导致死亡或者严重的人身伤害。



小心

表示如果不采取相应的小心措施，可能导致轻微的人身伤害。

注意

表示如果不采取相应的小心措施，可能导致财产损失。

当出现多个危险等级的情况下，每次总是使用最高等级的警告提示。如果在某个警告提示中带有警告可能导致人身伤害的警告三角，则可能在该警告提示中另外还附带有可能导致财产损失的警告。

合格的专业人员

本文件所属的产品/系统只允许由符合各项工作要求的**合格人员**进行操作。其操作必须遵照各自自带的文件说明，特别是其中的安全及警告提示。由于具备相关培训及经验，合格人员可以察觉本产品/系统的风险，并避免可能的危险。

按规定使用Siemens 产品

请注意下列说明：



警告

Siemens 产品只允许用于目录和相关技术文件中规定的使用情况。如果要使用其他公司的产品和组件，必须得到 Siemens 推荐和允许。正确的运输、储存、组装、装配、安装、调试、操作和维护是产品安全、正常运行的前提。必须保证允许的环境条件。必须注意相关文件中的提示。

1 简介

1.1 本文档的用途

本说明包含了调试和使用该设备所需的全部信息。安装和调试前请仔细阅读说明。为了正确使用设备，首先请仔细研究设备的工作原理。

本说明主要面向设备的机械安装人员、设备电气接线、参数组态和调试人员，以及维修和维护工程师。

参见

技术支持 (页 118)

1.2 检查交运货物

1. 检查包装和交付的物品是否存在明显损坏。
2. 与之相关的任何损坏索赔需立即向运输公司报告。
3. 保留损坏的零件以便澄清问题。

4. 将您的订单与货运单据进行比对以检查交付内容是否正确、完整。



警告

使用已损坏或不完整的设备

在危险区域中存在爆炸风险。

- 请勿使用已损坏或不完整设备。

1.3 运输与存储

为确保在运输与存储期间的保护充分，请注意以下事项：

- 保留原始包装以用于后续运输。
- 设备/替换部件返厂时应使用原始包装。
- 如果原始包装不再可用，应确保所有货物均适当包装，以在运输过程中提供充分保护。Siemens 不承担与运输期间货物受损相关的任何费用。



小心

存储期间保护不足

包装只能提供有限的防潮和防渗透保护。

- 必要时应提供额外包装。

有关设备存储与运输的特殊条件，请参见技术规范 (页 113)。

1.4 保修注意事项

本手册中的内容不得修改任何先前或现有的协议、承诺或法律关系，也不应视为是其中的一部分。销售合同包含 Siemens 应承担的全部义务以及完整的、但单独适用的保修条款。

本手册所述的有关设备版本的任何声明都不会产生新的保修条款或修改现有的保修条款。

本文的内容反映了出版时的技术状况。Siemens 保留后续技术变更的权利。

2 安全说明

2.1 安全使用的先决条件

本设备出厂时工作状态良好。然而，为了保持这种状态并确保设备安全运行，请遵守本说明和所有安全相关的规范。

请遵守有关设备的信息和符号。不要从设备上清除任何信息或符号。始终让信息和符号清晰易读。

符号	说明
	查阅操作说明

2.1.1 法律和指令

在连接、装配和运行期间，请遵守您所在国家/地区适用的测试认证、规定和法律。包括的内容举例如下：

- 国家电气法规 (NEC - NFPA 70) (美国)
- 加拿大电气法规 (CEC) (加拿大)

危险区应用的更多规定举例如下：

- IEC 60079-14 (国际)
- EN 60079-14 (EC)

2.1.2 符合欧洲指令

该设备上的 CE 标志表示符合以下欧洲指令：

电磁兼容性 EMC
2014/30/EU

欧洲议会和理事会法规协调了各成员国有关电磁兼容性方面的法律法规。

Atmosphère explosible ATEX
2014/34/EU

欧洲议会和理事会法规协调了各成员国有关在潜在爆炸性环境中使用的相关设备及保护系统方面的法律法规。

设备的 EC 符合性声明中包含适用的标准。

2.2 设备的不当改装



警告

设备的不当改装

改装设备，尤其在危险区改装设备会给人员、系统和环境造成风险。

- 只能按设备说明中所述进行改装。如果未能遵守要求，制造商的保修条款及产品认证将无效。

2.3 特殊应用场合的要求

由于可能涉及到的应用范围很广，因此操作说明中不可能考虑到所述设备型号在系统调试、操作或维护期间所涉及的每种可能情况下的每个细节。如果您需要未在此操作说明中提及的其它信息，请联系本地的 Siemens 办事处或公司代表。

说明

在特殊环境条件下操作

当您在特殊的环境条件下（如：在核电站中）操作此设备前，或将此设备用于研发目的时，我们强烈建议您先与您的 Siemens 代表或我们的应用部门取得联系。

2.4 在危险区域中使用

2.4.1 在危险区应用场合作业的合格人员

在危险区应用场合作业的合格人员

在危险区安装、连接、调试、操作和维护设备的人员必须具有下列特定资格：

- 他们有权按照电路、高压、腐蚀和危险介质的相关安全规程操作与维护设备及系统，或者是接受过这方面的培训或指导。
- 他们有权对危险系统的电路执行操作，或者是接受过相关的培训或指导。
- 他们接受过根据相关安全规程维护和使用相应安全设备的培训或指导。



警告

不宜在危险区使用的设备

爆炸风险。

- 只能使用经认证可在预期危险区中使用且具有相应标记的设备。

参见

技术规范 (页 113)



警告

缺少“本质安全 Ex i”保护类型的设备安全性

如果在非本质安全电路中运行该设备或未能遵守电气规范，则无法确保在危险区使用该设备的安全性。存在爆炸危险。

- 只能将具有“本安”保护类型的设备连接至本安电路。
- 遵守证书和/或技术规范 (页 113) 中电子数据的相关规范。

3 说明

3.1 应用范围

LH300 压力变送器是一种可浸入式传感器，用于液位测量。该压力变送器可以测量罐、容器、渠道和大坝等中的液位。该压力变送器适用于各种测量范围，并提供了防爆型。附件中提供的电缆盒和拉线夹使安装更加容易。该压力变送器主要应用于以下工业领域：

- 供水
- 用于在无压力/开式罐和水井中使用

3.2 结构

该压力变送器有一个内置式陶瓷传感器，该陶瓷传感器配有一个 Wheatstone 电阻桥。该压力变送器装有电子元件，与传感器一起安装于不锈钢外壳内。在连接电缆中还具有通气管。带有应用一个防护盖保护测量膜片不受外部影响。传感器、电气线路和连接电缆均安装在一个小型机箱中。该压力变送器适用于广泛的温度范围。

3.3 铭牌的设计

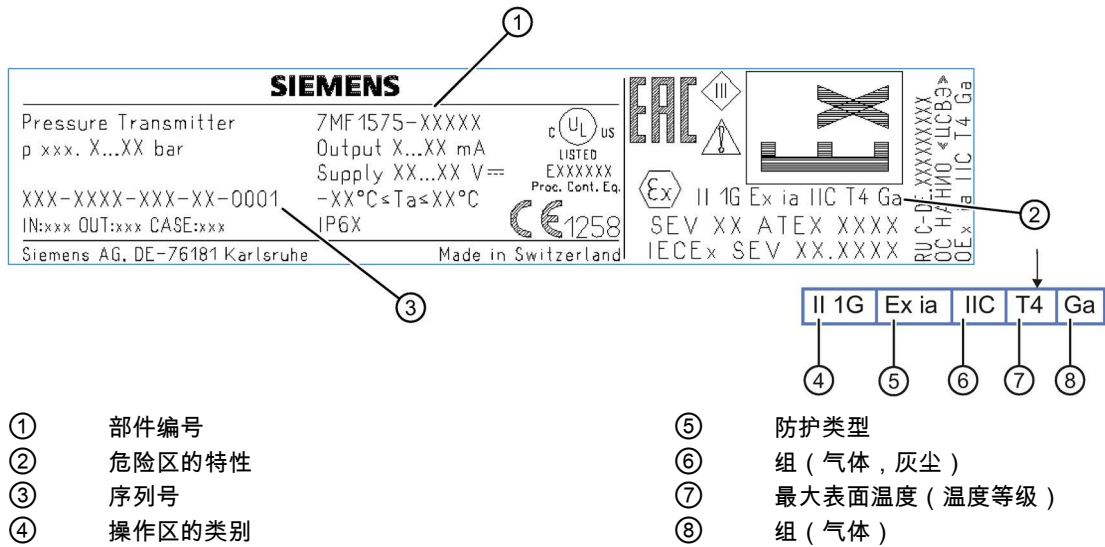


图 3-1 铭牌示例

该压力变送器具有标有部件编号和其它重要信息 (例如设计详细信息和技术数据) 的铭牌。还必须遵守在危险区中使用的变送器型号的相关证书中的信息。

3.4 操作模式

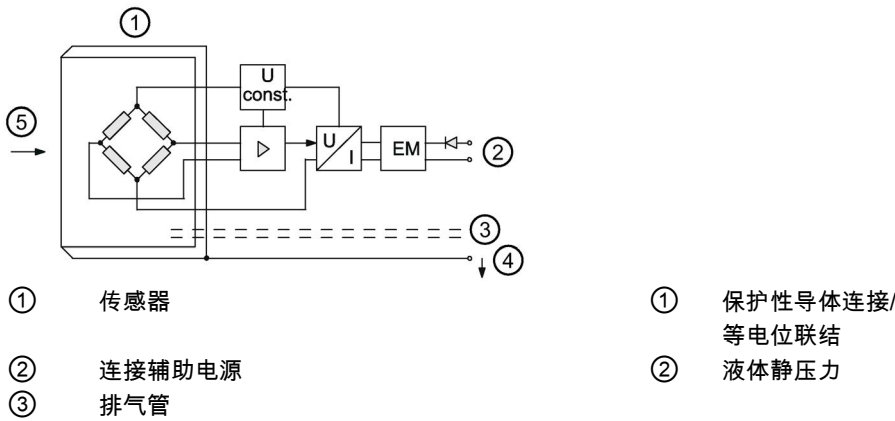


图 3-2 压力变送器、工作模式和接线图

正比于浸入深度的液体静压 ⑤ 作用于传感器 ① 一侧的膜片上。这个压力以大气压作参照。应用连接电缆中的排气管 ③ 完成压力补偿。

由液位产生的液体静压作用在传感器膜片上，并将压力传输到传感器中的 Wheatstone 电阻电桥。

传感器的输出电压信号施加到电子元件上，转换成 4 至 20 mA 的输出电流。

保护性导体连接/等电位保护连接 ④ 被连接至外壳。

4 安装/固定

4.1 基本安全说明

警告

过程介质不适用于湿润件

存在受伤或设备损坏风险

如果过程介质不适用于湿润件，可能会释放热的、有毒的、腐蚀性介质。

- 请确保设备零件材料所接触的过程介质与所要求的过程介质相匹配。请参见 技术规范 (页 113) 中的信息。

说明

材料兼容性

在选择由过程介质浸湿的传感器组件方面，Siemens 可为您提供支持。但最终选择哪些组件由您自行决定。Siemens 对不兼容材料引发的故障概不负责。

4.1.1 超过最大可允许工作压力

警告

超过最大可允许工作压力

受伤或中毒风险。

最大可允许工作压力取决于设备型号、压力限制和温度额定值。如果超过工作压力，可能损坏设备。可能会释放热的、有毒的、腐蚀性过程介质。

确保不超过设备的最大可允许工作压力。请参见铭牌和/或技术规范 (页 113) 上的信息。

注意

使用具有结冰过程介质的设备

结冰导致损坏设备。

- 防止压力变送器上结冰。该过程介质不得冻结。

4.1.2 正确安装

注意

错误安装

错误安装可能会损坏、毁坏设备或令设备功能受损。

- 安装前，请确保设备无明显损坏。
- 请确保过程连接器干净整洁，并使用适用的垫圈和接头。
- 使用适用的工具安装设备。请参见“技术规范 (页 113)”中的信息了解安装扭矩要求。



小心

缺少防护类型

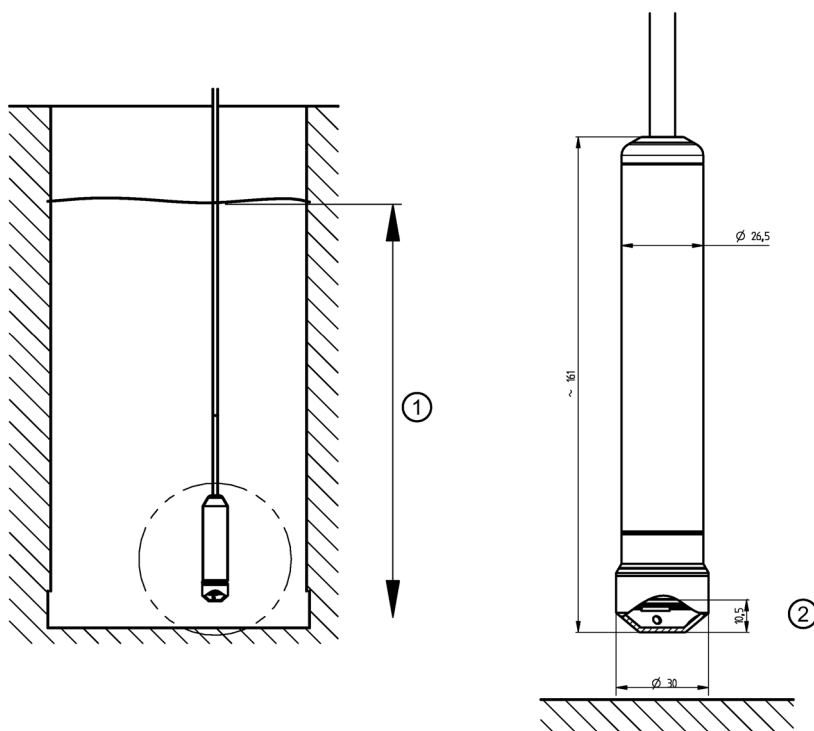
如果外壳打开或关闭不当，会对设备造成损坏。铭牌上或技术规范 (页 113) 中指定的防护类型无法再得到保证。

- 确保设备紧闭。

参见

安装/固定 (页 106)

4.2 安装



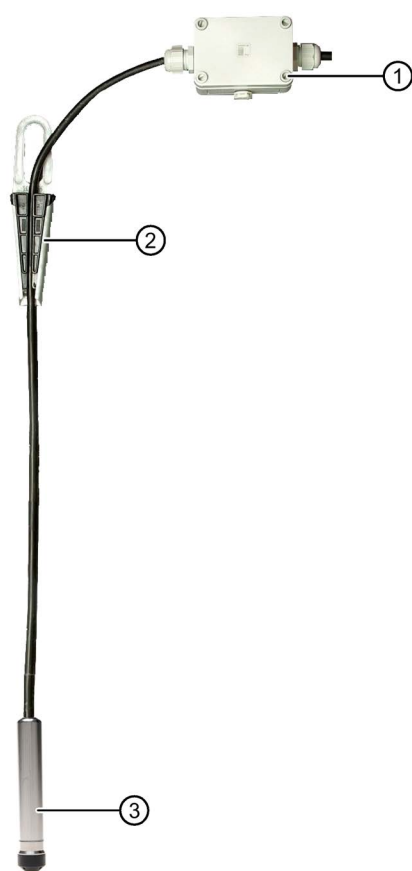
① 液位

② 测量参考高度

图 4-1 安装压力变送器 (示例具有 PPE 材质的保护盖)

1. 安装悬于电缆上方的压力变送器。
2. 固定变送器防止过程介质移动，以避免测量误差。
3. 通过导管或在变送器上放置额外重量固定压力变送器 (连接电缆的最大拉力为 360 N)。
4. 以拉线夹固定容器上方电缆。
5. 以电缆盒连接电缆。
6. 在测量点附近适合其防护等级 (IP66) 的位置安装电缆盒。
7. 要确保功能正常，需确保压力变送器保护罩的开口处洁净，且压力变送器上的过程介质未冻结。

4.3 设置测量点



- ① 电缆盒
② 拉线夹

- ③ 压力变送器

图 4-2 设置测量点

4.4 建立测量范围

计算过程介质密度 $\neq 1000 \text{ kg/m}^3$ (过程介质 \neq 水) 时的测量范围

$$p = \rho * g * h$$

其中：




ρ = 过程介质的密度

g = 当地重力加速度

h = 最大高度

5 连接

5.1 基本安全说明

 警告
超出“本质安全 Ex i”保护类型的设备的最大电缆长度 在危险区中存在爆炸危险。 请遵守允许使用的最大电缆长度，确保符合“本质安全 Ex i”保护类型设备的要求。
 警告
电缆、电缆接头和/或插头不适用 在危险区域中存在爆炸风险。 <ul style="list-style-type: none">• 仅使用符合相关保护类型要求的电缆接头/插头。• 按照技术规范 (页 113)中规定的扭矩拧紧电缆接头。• 关闭用于电气连接的未使用的电缆入口。• 更换电缆接头时，仅使用相同类型的电缆接头。• 安装后，检查电缆是否安装牢固。
 警告
电源使用不当 如果电源使用不当（例如，使用直流电来代替交流电），则在危险区中存在爆炸危险或损失设备的安全性。 <ul style="list-style-type: none">• 请按照指定电源和信号电路来连接设备。相关规范请参见证书、“技术规范 (页 113)”一章或铭牌。• 始终以限制电能对设备供电。注意限制电能的下列标准：UL61010-1 3rd Edition 9.3 部分或符合 UL60950-1 的 LPS（低压电源）或符合 UL1310 或 UL1585 的等级 2。
 警告
不安全的超低电压 由于电压闪络，危险区中存在爆炸风险。 <ul style="list-style-type: none">• 将设备连接到带有安全隔离装置的超低电压 (SELV)。
 警告
缺少等电位连接 缺少等电位连接而引发的补偿电流或点火电流具有爆炸风险。 <ul style="list-style-type: none">• 确保设备电位均衡。 例外情况： 对于防护类型为“本质安全 Ex i”的设备，可以省略等电位连接。
 警告
无保护的电缆端 在危险区使用无保护电缆具有爆炸风险。 <ul style="list-style-type: none">• 按照 IEC/EN 60079-14 保护未使用的电缆端。



警告

屏蔽电缆铺设不当

危险区和非危险区之间的补偿电流具有爆炸风险。

- 越界进入危险区域的屏蔽电缆应只在一端接地。
- 如果需要在两端接地，请使用等电位连接导线。



警告

在通电状态下连接设备

在危险区域中存在爆炸风险。

- 在危险区中，只能在断电状态下连接设备。

例外：

- 在危险区域，具有“本质安全 Ex i”保护类型的设备也可在通电状态下进行连接。
- 有关“无火花 nA”（区域 2）保护类型的例外情况，在相关证书中进行了规定。

说明

电磁兼容性 (EMC)

您可将此设备用于工业环境、家庭环境和小型企业中。

相对于高频辐射来说，金属外壳会提高电磁兼容性。可通过将外壳接地来增强保护，请参见连接 (页 109)。

说明

改善抗干扰性

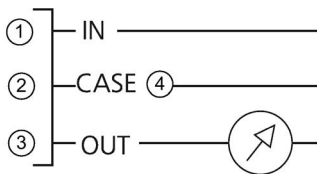
- 铺设信号电缆时要与电压 > 60 V 的电缆分开。
- 使用带有双绞线的电缆。
- 使设备和电缆远离强电磁场。

5.2 连接设备

步骤

根据以下步骤连接压力变送器和电缆盒：

1. 将压力变送器的电缆连接到接线柱 1 (-)、2 (+) 和接地。
2. 将通气管插入电缆盒。
通气管必须与大气连通。电缆盒外壳上的防水过滤器即用于此目的。



① 棕色

② 黑色

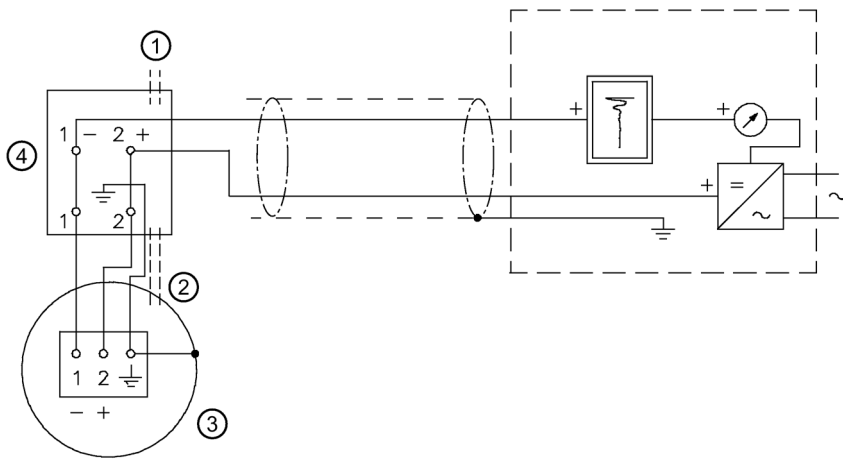
③ 蓝色

④ 保护性导线连接/等电位联结

图 5-1 电气连接

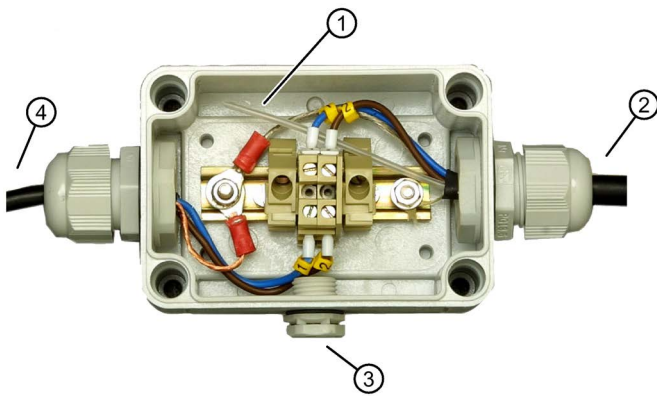
示例

在非危险区域中使用本产品时，可按以下方式连接压力变送器：



- ① 大气压
- ② 排气管
- ③ 变送器
- ④ 电缆盒

图 5-2 接线图



- ① 排气管
- ② 与变送器连接
- ③ 电缆盒排气
- ④ 与测量值处理设备连接

图 5-3 电缆盒，打开状态

6 调试

6.1 基本安全说明



警告

在危险区中误调试

设备故障或在危险区域中存在爆炸风险。

- 根据技术规范 (页 113) 中的信息完全安装并连接好设备之前，请不要对其进行调试。
- 调试前，请考虑对系统中其它设备的影响。

6.2 校准

制造商已对压力变送器的测量范围进行了校准，无法重新标准。

7 维护和维修

7.1 基本安全说明

说明

该设备是免维护的。



警告

不允许维修防爆设备

具有爆炸危险的区域存在爆炸风险。

- 只有经西门子授权的人员才可以执行维修。



警告

在危险区使用计算机

如果在危险区使用计算机接口，则有爆炸风险。

- 请确保空气中无爆炸危险（允许热作业）。

7.2 校准

制造商已对压力变送器的测量范围进行了校准，无法重新标准。

7.3 维护和维修工作



警告

不允许使用的附件和备件

具有爆炸危险的区域存在爆炸风险。

- 只能使用原装附件或原装备件。
- 请遵守设备说明中所述的所有相关安装和安全须知，或者随附件或备件提供的相关信息。

注意

脏污引起的故障测量

压力变送器可能会被过程介质污染。

- 防止压力变送器保护罩开口处的灰尘积累。

7.4 退货步骤

在透明的塑料袋中附上提货单、退货文档和去污证明并将其牢牢附在包装的外部。

必要的表单

- 送货单
- 退货文档 (<http://www.siemens.com/processinstrumentation/returngoodsnote>)
附有下列信息：
 - 产品 (项目说明)
 - 退货的设备/备件数量
 - 退货原因
- 去污声明 (<http://www.siemens.com/sc/declarationofdecontamination>)

此声明表示“设备/备件已经过仔细清洗并且无任何残留物。设备/备件不会对人类和环境构成危害。”

如果要退货的设备/备件已与有毒性、腐蚀性、易燃性或水污染性物质发生了接触，则在将设备/备件进行退货前必须对其进行彻底地清洗和去污以确保所有空心区域均不含有危险物质。产品清洗后对其进行检查。

任何要求退货的设备/备件，如果没有去污声明，则在进一步处理前的清洗费用均由贵方承担。

7.5 处置



依照电子电气设备废弃物 (WEEE) 指令

2012/19/EC，标有此符号的设备不能通过城市垃圾处理服务进行处置。

可将其退回欧盟内供应商或当地批准的处理服务机构。请遵守您所在国家/地区的具体法规。

如需了解含有电池的设备的的相关信息，请访问：电池/产品退货 (WEEE) 信息 (<https://support.industry.siemens.com/cs/document/109479891/>)

说明

需要特殊处理

设备中含有需要特殊处理的组件。

- 通过当地的垃圾处理承包商以环保方式正确处理设备。

8 技术规范

计示压力输入		
测量变量	静压液位	
测量范围，最大工作压力 (根据 97/23/EC 压力设备指令) 和最大测试压力 (根据 DIN 16086)	测量范围	最大工作压力 MAWP (PS)
	0 - 0.1 bar	1.5 bar
	0 to 1 mH ₂ O (0 - 3 ftH ₂ O)	15 mH ₂ O (45 ftH ₂ O)
	0 - 0.2 bar	1.5 bar
	0 - 2 mH ₂ O	15 mH ₂ O (45 ftH ₂ O)
	0 - 0.3 bar	1.5 bar
	0 - 3 mH ₂ O (0 - 9 ftH ₂ O)	21.8 psi 15 mH ₂ O (45 ftH ₂ O)

计示压力输入

0 - 0.4 bar	2 bar
0 - 4 mH ₂ O (0 - 12 ftH ₂ O)	29 psi 20 mH ₂ O (66 ftH ₂ O)
0 - 0.5 bar	2 bar
0 - 5 mH ₂ O (0 - 15 ftH ₂ O)	29 psi 20 mH ₂ O (66 ftH ₂ O)
0 - 0.6 bar	2 bar
0 - 6 mH ₂ O (0 - 18 ftH ₂ O)	29 psi 20 mH ₂ O (66 ftH ₂ O)
0 - 1 bar	5 bar
0 - 10 mH ₂ O (0 - 30 ftH ₂ O)	72 psi 51 mH ₂ O (167 ftH ₂ O)
0 - 2 bar	10 bar
0 - 20 mH ₂ O (0 - 60 ftH ₂ O)	145 psi 102 mH ₂ O (334 ftH ₂ O)
0 - 4 bar	20 bar
0 - 40 mH ₂ O (0 - 120 ftH ₂ O)	204 mH ₂ O (669 ftH ₂ O)

2 线制输出

输出信号	4 ... 20 mA
负载	电阻器 R [Ω]

$$R_{\max} = \frac{U_H - 10 \text{ V}}{0,02 \text{ A}}$$

R_{max} 是电源线的最大电阻

U _H	辅助电源，单位 V
----------------	-----------

测量精度 (符合 EN 60770-2)

参考条件	<ul style="list-style-type: none">• 上升特性曲线• 起始量程值 0 bar• 室温 25 °C (77 °F)• 额定电压 24 V DC
限值设定的测量偏差，包括测量范围的滞后和可重复性	0.15% 满刻度值 (典型) 0.3 % 满标度值 (最大值)
环境温度影响	
零点和测量范围	0.05% 测量范围 / 10K
长期稳定	
零点和测量范围	0.15% 满刻度值 / 年
辅助电源影响	0.01% / 1 V 电源变化

额定条件

安装条件	
环境条件	


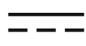

额定条件	
• 环境温度	-10 ... +80 °C (-4 ... +176 °F)
– 海拔	最高海拔 2000 m
– 相对湿度	0 - 100%
注	请遵守危险区域中的温度等级。
储存温度	-20 - +80 °C (-4 - +176 °F)
• 防护等级，符合标准 EN 60529	IP68
• 电磁兼容性	
干扰发射和抗干扰性	符合 EN 61326-1 和 EN 61326-2-3
过程介质条件	
• 过程介质温度	-10 ... +80 °C (-4 ... +176 °F)
压力变送器构造	
重量	
• 压力变送器	约 0.4 kg (0.88 lb)
• 电缆	0.08 kg/m (约 0.059 lb/ft)
材料	
• 接液部件材质	
外壳	不锈钢材料 No. 1.4404/316L 或 1.4539/904L
传感器	陶瓷 Ceramic Al ₂ O ₃ (99.6%)
电缆	PE-HD、FEP
防护盖	PPE、ETFE、不锈钢 (1.4404/316L 或 1.4539/904L)
密封材料	FPM、EPDM (适用于饮用水)
电气连接	长度：3、5、10、15、20、30、40、50、...、1000 m “本质安全 Ex i”保护类型的设备的最大允许电缆长度为 300 m。
不同材质的电缆压盖螺母扭矩	塑料 2.5 Nm (1.8 ft lb)
电缆盒 7MF1575-8AA 构造 (附件)	
应用领域	变送器电缆连接
重量	0.2 kg (0.44 lb)
电气连接	2 x 3 路 (电缆直径 1 mm ² - 1.5 mm ²)
电缆接头	2 x Pg 13.5
外壳材料	聚碳酸酯
用于通大气压的排气管	
承接线螺钉	
不同材质的电缆压盖螺母扭矩	塑料 2.5 Nm (1.8 ft lb)
额定条件	
• 防护等级，符合标准 EN 60529	IP65
拉线夹 7MF1575-8AB 构造 (附件)	
应用领域	紧固变送器

拉线夹 7MF1575-8AB 构造 (附件)

重量 0.16 kg (0.35 lb)

电气连接 镀锌钢, 聚酰胺

辅助电源 U_H

变送器上的端子电压  10 V DC - 30 V DC 
10 V DC - 33 V DC 

电流损耗 < 20.5 mA

反极性保护 支持

8.1 证书和认证

证书和认证

饮用水 (ACS) 不久将可供货

饮用水 (WRAS) 不久将可供货

饮用水 (DVGW/ KTW W270) 不久将可供货

EAC 不久将可供货

Underwriters Laboratories (UL) 不久将可供货

造船业 不久将可供货

• GL

• LR

• DNV

• BV


• ABS

防爆

本安“i” 标记

• ATEX

• IEC Ex

 II 1 G Ex ia IIC T4 Ga

连接 经认证的本质安全电路, 最大数值如下:

$U_i = 30 \text{ V}$ 、 $I_i = 100 \text{ mA}$ 、

$P_i = 750 \text{ mW}$

有效内部电容 $C_i = 2 \text{ nF} + 0.204 \text{ nF}$ (压力变送器上每米电源线)

有效内部电感 $L_i = 8 \text{ }\mu\text{H} + 1.48 \text{ }\mu\text{H}$ (压力变送器上每米电源线)

EAC Ex 不久将可供货

9 尺寸图

压力变送器

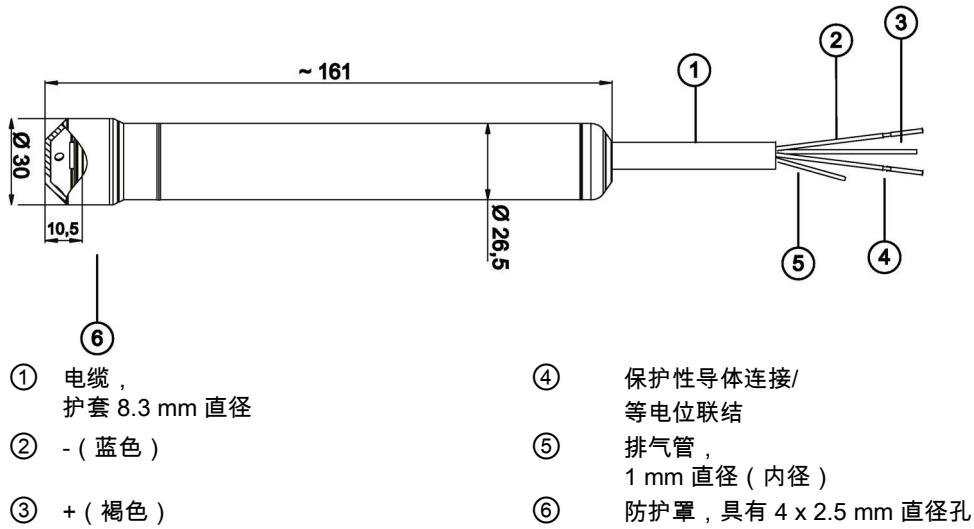


图 9-1 具有 PPE/ETFE 材质防护罩的压力变送器 (尺寸单位: mm)

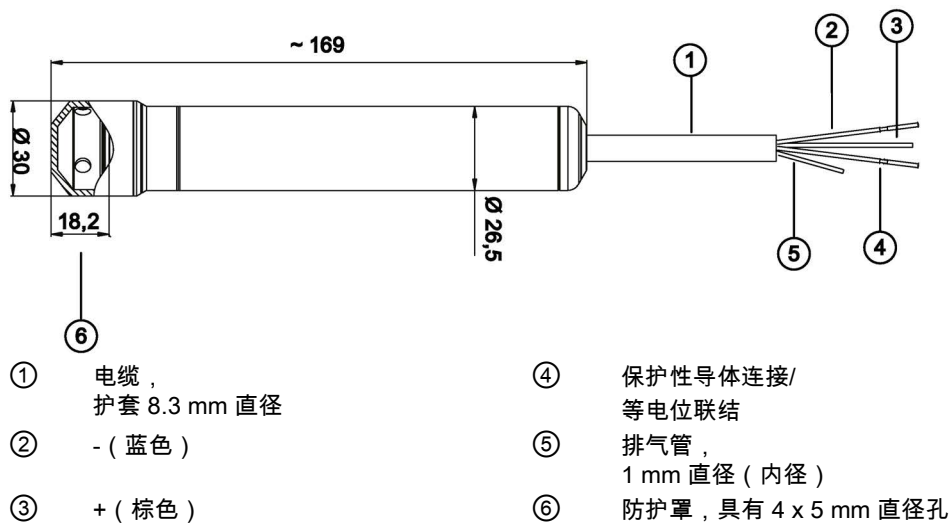


图 9-2 具有不锈钢材质防护罩的压力变送器 (尺寸单位: mm)

电缆盒

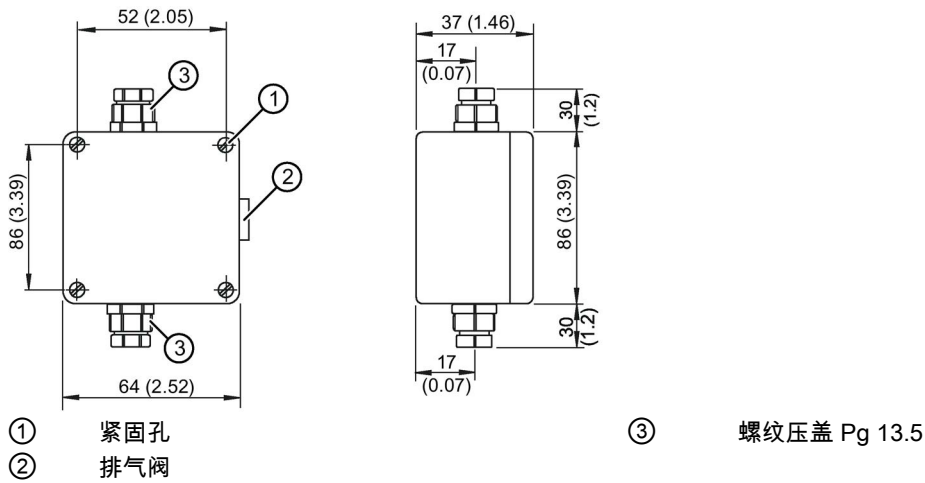
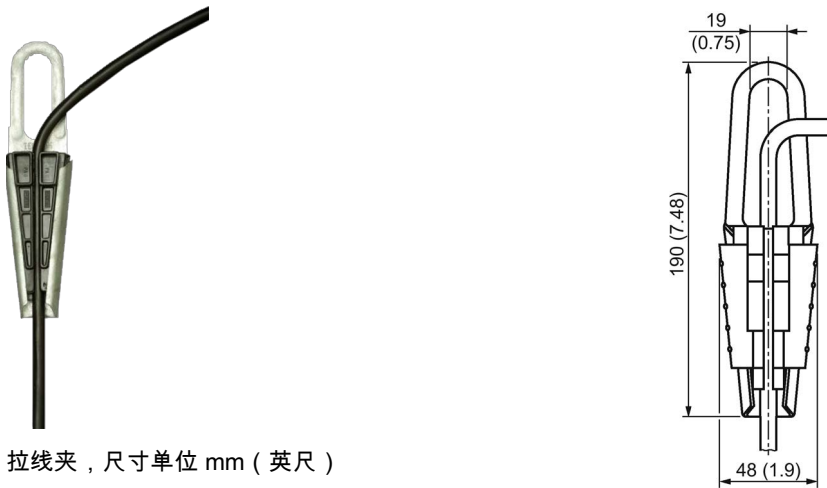


图 9-3 电缆盒，尺寸单位 mm (英尺)

拉线夹



拉线夹，尺寸单位 mm (英尺)

A 附录 A

A.1 技术支持

技术支持

如果本文档未提供您可能存在的任何技术问题的完整答案，请联系技术支持：

- 支持请求 (<http://www.siemens.com/automation/support-request>)
- 有关技术支持的更多信息，请访问技术支持 (<http://www.siemens.com/automation/csi/service>)

Internet 服务与支持

除文档外，Siemens 还提供了全面的支持解决方案，网址为：

- 服务与支持 (<http://www.siemens.com/automation/service&support>)

私人联系人

如果您有关于设备的其他疑问，请联系您的 Siemens 私人联系人：

- 合作伙伴 (<http://www.automation.siemens.com/partner>)

如需找到您产品的相关联系人，可在“所有产品和分支机构”(All Products and Branches) 下选择路径“自动化技术 > 传感器系统”(Automation Technology > Sensor Systems)。

文档

如需各种产品和系统的相关文档，请访问：

- 说明和手册 说明和手册 (<http://www.siemens.com/processinstrumentation/documentation>)

参见

Internet 上关于 SITRANS P 的产品信息 (<http://www.siemens.com/sitransp>)

过程仪表目录 (<http://www.siemens.com/processinstrumentation/catalogs>)

电子邮件 (<mailto:support.automation@siemens.com>)

A.2 证书

可以在 Internet 的“证书 (<http://www.siemens.com/processinstrumentation/certificates>)”页面或随附的 DVD 中找到证书。

商标

所有带有标记符号 © 的都是西门子股份有限公司的注册商标。本印刷品中的其他符号可能是一些其他商标。若第三方出于自身目的使用这些商标，将侵害其所有者的权利。

责任免除

我们已对印刷品中所述内容与硬件和软件的一致性作过检查。然而不排除存在偏差的可能性，因此我们不保证印刷品中所述内容与硬件和软件完全一致。印刷品中的数据都按规定经过检测，必要的修正值包含在下一版本中。

Siemens AG
Division Process Industries and Drives
Postfach 48 48
90026 NÜRNBERG
德国

SITRANS LH300 (7MF1575..)静压液位变送器
A5E37897183, 09/2016

FINE CONTROLS (UK) LTD



Fine Controls have been supplying process controls & instrumentation equipment since 1994, & now serves an ever expanding customer base, both in the UK & globally.

We offer a full range of valve & instrumentation products & services, with our product range representing leading technologies & brands:

Flow: Flow Meters & Transmitters, Flow Switches, Flow Control Valves & Batch Control Systems

Temperature: Temperature Probes & Thermowells, Temperature transmitters, Temperature Regulators & Temperature Displays

Level: Level Transmitters & Switches

Pressure: Pressure Gauges & Transmitters, Precision & High Pressure Regulators & I-P Converters, Volume boosters.

Precision Pneumatics: Pressure Regulators, I-P Converters, Volume Boosters, Vacuum Regulators

Valves: Solenoid & Pneumatic Valves, Control Valves & Positioners, Actuated Ball, Globe or Diaphragm Valves & Isolation Valves

Services: Repair, Calibration, Panel Build, System Design & Commissioning

A rotork® Brand
FAIRCHILD



bürkert



SIEMENS



alcon
SOLENOID VALVES

A rotork® Brand



MIDLAND-ACS
A rotork® Brand



Honeywell



Bourdon
Baumer Group



SOLDO
CONTROLS

A rotork® Brand



Fine Controls (UK) LTD, Bassendale Road, Croft Business Park,
Bromborough, Wirral, CH62 3QL UK
Tel: 0151 343 9966
Email: sales@finecontrols.com