

FINE CONTROLS (UK) LTD



Fine Controls have been supplying process controls & instrumentation equipment since 1994, & now serves an ever expanding customer base, both in the UK & globally.

We offer a full range of valve & instrumentation products & services, with our product range representing leading technologies & brands:

Flow: Flow Meters & Transmitters, Flow Switches, Flow Control Valves & Batch Control Systems

Temperature: Temperature Probes & Thermowells, Temperature transmitters, Temperature Regulators & Temperature Displays

Level: Level Transmitters & Switches

Pressure: Pressure Gauges & Transmitters, Precision & High Pressure Regulators & I-P Converters, Volume boosters.

Precision Pneumatics: Pressure Regulators, I-P Converters, Volume Boosters, Vacuum Regulators

Valves: Solenoid & Pneumatic Valves, Control Valves & Positioners, Actuated Ball, Globe or Diaphragm Valves & Isolation Valves

Services: Repair, Calibration, Panel Build, System Design & Commissioning

A rotork® Brand
FAIRCHILD



bürkert



SIEMENS



alcon
SOLENOID VALVES

A rotork® Brand



MIDLAND-ACS
A rotork® Brand



Honeywell



Bourdon
Baumer Group



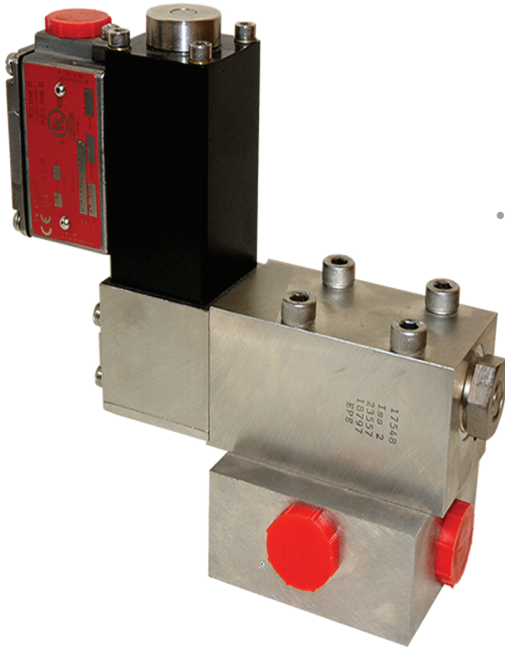
SOLDO
CONTROLS

A rotork® Brand



Fine Controls (UK) LTD, Bassendale Road, Croft Business Park,
Bromborough, Wirral, CH62 3QL UK
Tel: 0151 343 9966
Email: sales@finecontrols.com

DN5 SERIES METAL TO METAL SEATED HYDRAULIC SOLENOID PILOT VALVE



- Specifically designed for Offshore Severe Environments
- Certified Zone 1 Class 1 Hazardous Areas
- ATEX 94/9/EC
- M.T.B.F., SFF, PFD and SIL Data (Available upon request)
- Easy Installation, Repair and Replacement
- Ambient Temperature Range -50°C to 60°C
- Low Power Consumption (3.5 & 8 Watts)
- 316 Stainless Steel Construction
- 690 bar Max Pressure
- 20 litres/min
- Leak tight

CERTIFICATION OPTIONS AVAILABLE



General Description

The DN5 is a metal to metal seated hydraulic control valve. The stainless steel seat design ensures a leak tight shut off. The valve design incorporates a balanced internal piloting system to enable the low powered solenoid coil to switch the valve at high pressures.

The DN5 Pilot and Mainstage use cartridge insert technology which simplifies replacement and considerably reduces "downtime" costs. Features of the DN5 are an 'O' Ring interface that enables it to be fitted with a subplate, or manifold mounted for use in local control panels for actuators and wellhead control applications.

By removing just 4 bolts the valve can be dismantled without disturbing pipework and possibly contaminating the hydraulic system. Blanking or flushing plates can also be supplied.

DN5 SERIES METAL TO METAL SEATED HYDRAULIC SOLENOID PILOT VALVE

Ambient Temperature Range

- Standard: -20°C to +60°C (-4°F to +140°F)
- Low temperature option: -50°C (-58°F)

Ingress Protection

- IP67/NEMA 6

Filtration

- Recommended 10 micron absolute

Construction Materials

- Valve bodies and subplates 316L Stainless Steel
- Wetted parts, various grades of stainless steel/ ceramic/aluminium bronze
- Metal to Metal Seated Design

Protection Class

- Exd IIC T6
- Exd IIC T5
- EExia IIC T6
- EExd IIb T4/T6
- EExd IIC T6
- EExme II T6
- EExme II T4

Power Consumption

- 3.5 & 8 watts

Operating Pressure Range

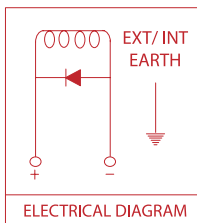
- 0 to 690 bar depending on operator type

Operating Medium

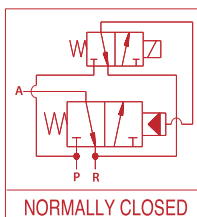
- Fluids - Suitable for use with Mineral Oils, Water Glycols and Synthetic fluids

Weight (approximate)

- With Subplate 4.5 kgs
- Without Subplate 3.75 kgs

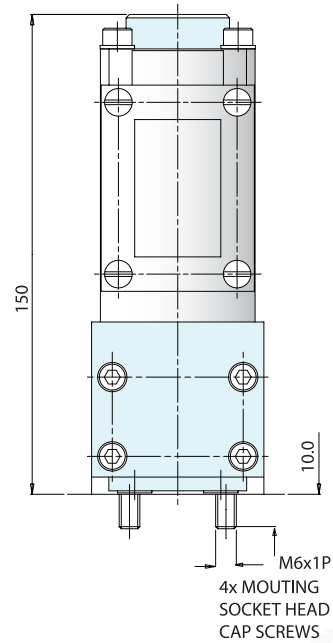
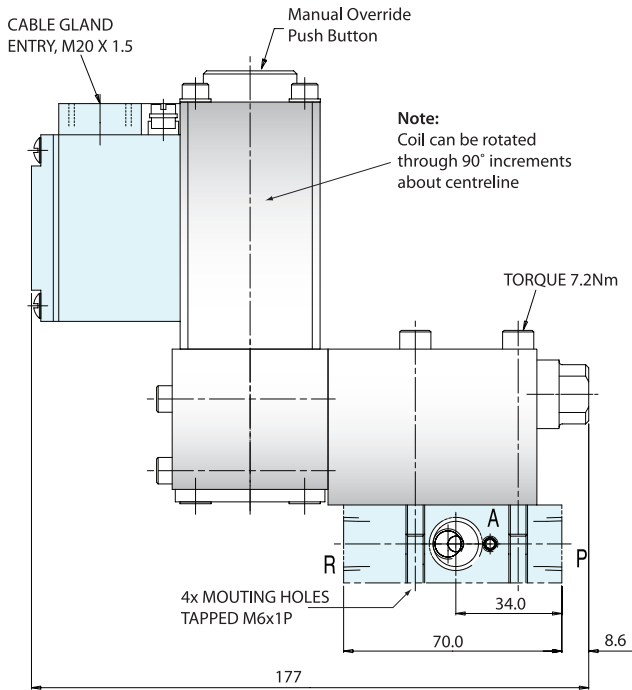


ELECTRICAL DIAGRAM



NORMALLY CLOSED

DN5 SERIES METAL TO METAL SEATED SCHEMATICS



CERTIFICATION OPTIONS AVAILABLE

