

FINE CONTROLS (UK) LTD



Fine Controls have been supplying process controls & instrumentation equipment since 1994, & now serves an ever expanding customer base, both in the UK & globally.

We offer a full range of valve & instrumentation products & services, with our product range representing leading technologies & brands:

Flow: Flow Meters & Transmitters, Flow Switches, Flow Control Valves & Batch Control Systems

Temperature: Temperature Probes & Thermowells, Temperature transmitters, Temperature Regulators & Temperature Displays

Level: Level Transmitters & Switches

Pressure: Pressure Gauges & Transmitters, Precision & High Pressure Regulators & I-P Converters, Volume boosters.

Precision Pneumatics: Pressure Regulators, I-P Converters, Volume Boosters, Vacuum Regulators

Valves: Solenoid & Pneumatic Valves, Control Valves & Positioners, Actuated Ball, Globe or Diaphragm Valves & Isolation Valves

Services: Repair, Calibration, Panel Build, System Design & Commissioning

A rotork® Brand
FAIRCHILD



bürkert



SIEMENS



alcon
SOLENOID VALVES

A rotork® Brand



MIDLAND-ACS
A rotork® Brand



Honeywell



Bourdon
Baumer Group



SOLDO
CONTROLS

A rotork® Brand



Fine Controls (UK) LTD, Bassendale Road, Croft Business Park,
Bromborough, Wirral, CH62 3QL UK
Tel: 0151 343 9966
Email: sales@finecontrols.com

1800 SERIES FLUOSLIDE SEMI-ROTARY SLIDE VALVE



- *Specifically designed for Severe Offshore Environments*
- *Heavy duty*
- *Lever direct coupled*
- *2 and 3 positions available*
- *For gases and liquids*
- *4/2 or 4/3*

General Description

4 way semi-rotary slide valves with a lever operation for onshore and offshore applications

Working Temperature Range

- -20°C to +70°C (-4°F to +158°F)

Maximum Flow

- At 6 bar (87 psi), 1 bar (14.5 psi) differential
700L/min (24.7 SCFM)

Working pressure (gases)

- 0 to 10 bar (43.5 to 145 psi)

Ports NPT (BSP option available)

- 1/4" NPT

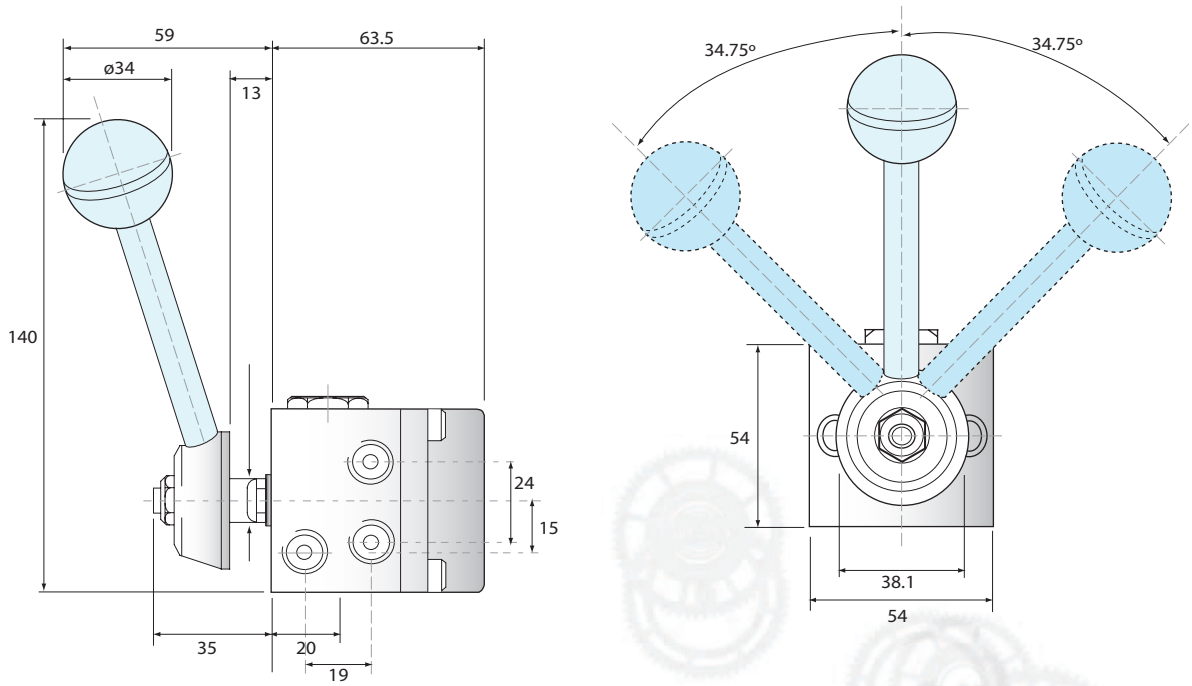
Construction Materials

- Body: 316 Stainless Steel
- Slide Carrier: 316 Stainless Steel
- Springs: 316 Stainless Steel
- Seals: Nitrile
- Graphite filled PTFE Slide

Cv (Kv)

- 0.7 (10)

1800 SERIES FLUOSLIDE SEMI-ROTARY SLIDE VALVE



MODEL No.	DESCRIPTION	MASS KG (LBS)
2422B555SA2B	1/4" NPT 4/2 Lever operated, 2 position positive	1.27 (2.80)
2422M525SA2B	1/4" NPT 4/2 Lever operated, spring return	1.27 (2.80)
2432E555SA2B	1/4" NPT 4/3 Lever operated, positive, pressure release neutral	1.27 (2.80)
2432D555SA2B	1/4" NPT 4/3 Lever operated, positive, pressure held neutral	1.27 (2.80)
2432R555SA2B	1/4" NPT 4/3 Lever operated, self centre, pressure release neutral	1.27 (2.80)
2432H555SA2B	1/4" NPT 4/3 Lever operated, self centre, pressure held neutral	1.27 (2.80)



4/2



4/3 Pressure
release neutral



4/3 Pressure
held neutral