

FINE CONTROLS (UK) LTD



Fine Controls have been supplying process controls & instrumentation equipment since 1994, & now serves an ever expanding customer base, both in the UK & globally.

We offer a full range of valve & instrumentation products & services, with our product range representing leading technologies & brands:

Flow: Flow Meters & Transmitters, Flow Switches, Flow Control Valves & Batch Control Systems

Temperature: Temperature Probes & Thermowells, Temperature transmitters, Temperature Regulators & Temperature Displays

Level: Level Transmitters & Switches

Pressure: Pressure Gauges & Transmitters, Precision & High Pressure Regulators & I-P Converters, Volume boosters.

Precision Pneumatics: Pressure Regulators, I-P Converters, Volume Boosters, Vacuum Regulators

Valves: Solenoid & Pneumatic Valves, Control Valves & Positioners, Actuated Ball, Globe or Diaphragm Valves & Isolation Valves

Services: Repair, Calibration, Panel Build, System Design & Commissioning

A rotork® Brand
FAIRCHILD



bürkert



SIEMENS



alcon
SOLENOID VALVES

A rotork® Brand



MIDLAND-ACS
A rotork® Brand



Honeywell



Bourdon
Baumer Group



SOLDO
CONTROLS

A rotork® Brand



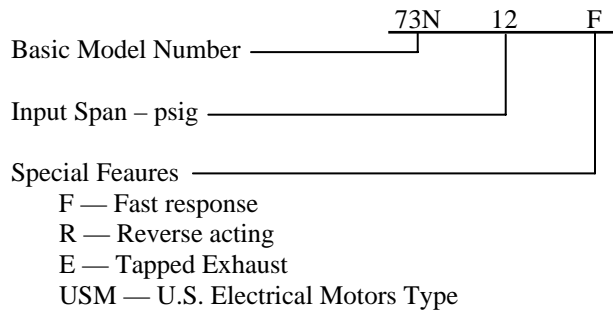
Fine Controls (UK) LTD, Bassendale Road, Croft Business Park,
Bromborough, Wirral, CH62 3QL UK
Tel: 0151 343 9966
Email: sales@finecontrols.com

SD73
Rev 13
September 2008
Supersedes Rev 12

MODEL 73N BUILT-IN VALVE POSITIONER

The Model 73N is a Built-in Valve Positioner which is mounted directly on the topworks of a valve. It is capable of utilizing the full force of its air supply to drive the piston or diaphragm, in a pneumatic actuator, to a position called for by the control instrument. The positioner incorporates a single-axis force-balance principle of operation to insure accurate and stable positioning of a control valve.

MODEL DESIGNATION



Fast Response: The fast response positioner is used on actuators with large volume topworks requiring a fast response action. Due to increased pilot plunger travel and larger ports in the fast response positioner, greater filling and exhausting capacities result. This permits a quicker response to a change in control conditions, plus increased speed of valve operation.

Tapped Exhaust: The Model 73N Positioner can be ordered with a tapped exhaust port. This feature permits piping of the pilot exhaust to a safe atmosphere on applications where noxious gases are used as a control medium instead of air.

USM: On actuators with small topworks and a low volume, a special hi-response positioner may be used. This positioner is denoted by the letters USM in the model number. There is no bleed on this model due to the low volume. A special valve plunger is used to ensure fast response for close control.

GENERAL SPECIFICATIONS

Instrument Input Pressure Range.....3-15, 3-9, 9-15, and 3-27 psig

Supply Pressure

Minimum.....3 psi above required actuator pressure
 Maximum100 psi

Air Consumption0.25 SCFM (in balance condition with 20 psi supply and 9 psi dead ended output)

Valve Travel

Minimum.....1/4"
 Maximum4"

Ambient Temperature Limits-40°C to +82°C (-40°F to +180°F)

INSTALLATION

Refer to Figure 1 for mounting dimensions and connections. A centering washer (customer provided) which fits the I.D. of the range spring should be used. This acts as a spring seat and keeps the spring from shifting.

Mounting hardware is included with the positioner in a plastic bag numbered 10448-88. It contains (6) mounting screws and washers, (1) range spring seat and (1) gasket.

CAUTION

Exceeding the specified ambient temperature limits can adversely affect performance and may cause the positioner to fail.

1. Place centering washer on the actuator's diaphragm or piston.
2. Place the positioner range spring on the center of the actuator diaphragm or piston.
3. Place the gasket on the mounting flange of the actuator top works. Substitute the P/N 10636-59 centering diaphragm for the gasket if the P/N 12388-6412 or 12395-6412 range spring is used.
4. Place the positioner range spring seat on the center nut of the positioner diaphragm assembly.
5. Hold the spring seat and guide the positioner and seat onto the range spring.
6. Orient the positioner for desired location of connections.
7. Insert mounting screws and washers and tighten screws.

PNEUMATIC CONNECTIONS

1. All connections are 1/4" NPT.
2. The piping recommended for the positioner is 1/4" O.D. tubing for the INSTRUMENT (input) connection and 3/8" O.D. tubing for the supply connection. However, any scale-free piping may be used.
3. Blow out all piping before connections are made to prevent dirt, chips, etc., from entering the positioner.
4. Use pipe sealant sparingly and then only on the male threads. A non-hardening sealant is strongly recommended.
5. Connect the positioner to a source of clean, dry, oil-free instrument air supply (see INSTRUMENT AIR REQUIREMENTS).

CAUTION

Pressure in excess of 150 psig to any connection may cause damage.

INSTRUMENT AIR REQUIREMENTS

Connect the positioner to a source of clean, dry, oil-free supply air. Failure to do so will increase the possibility of a malfunction or deviation from specified performance.

CAUTION



Use of process fluids other than instrument air is not recommended. No claim is made as to the suitability of this product for use with other process fluids, such as hazardous gases, except as listed on the appropriate certificate. Non-approved instruments are suitable for use with instrument air only. Optional features and modifications such as tapped exhaust do not imply suitability for use with hazardous gases except as listed on the approval certificate.

CAUTION

Synthetic compressor lubricants in the air stream at the instrument may cause the positioner to fail.

There are many types of synthetic lubricants. Some may not be compatible with the materials used in the construction of the positioner. Wetting of these materials by such an oil mist or oil vapor, etc., may cause them to deteriorate. This may ultimately result in failure of the positioner. The following materials are in contact with supply air: Aluminum, Brass, Stainless Steel, Neoprene and Buna-N.

The requirements for a quality air supply can be found in the Instrument Society of America's "Quality Standard for Instrument Air" (ISA-S7.3). Basically this standard calls for the following:

Particle Size — Maximum particle size in the air stream should be no larger than 3 microns.

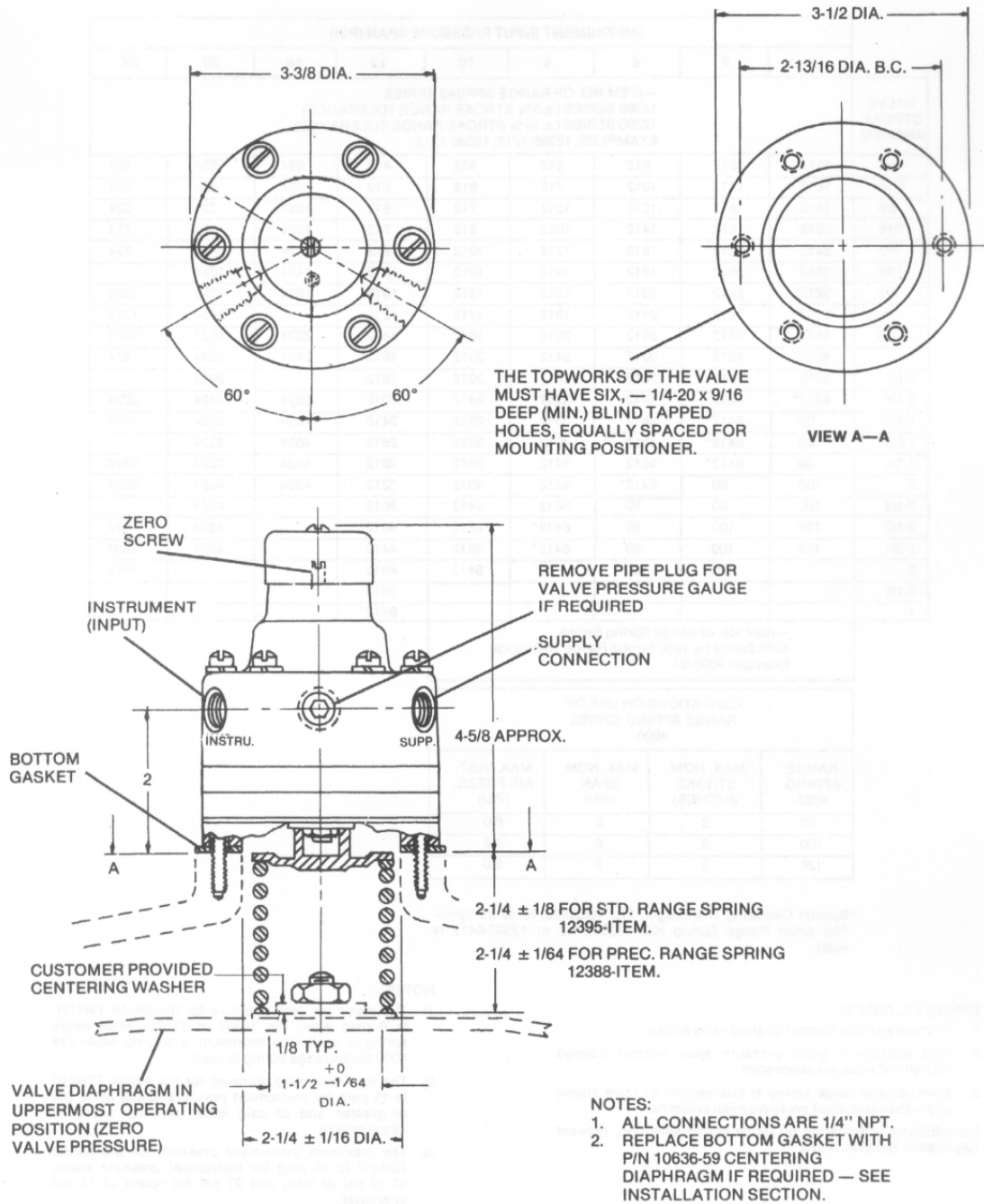


Figure 1 Installation Dimensions and Connections

Dew Point — Dew point at line pressure should be at least 10°C (18°F) below the minimum temperature to which any part of the instrument air system is exposed at any season of the year. Under no circumstances should the dew point at line pressure exceed 2°C (35.6°F).

Oil Content — Maximum total oil or hydrocarbon content, exclusive of non-condensables, should not exceed 1 ppm under normal operating conditions.

CAUTION

Exceeding the specified ambient temperature limits can adversely affect performance and may cause damage.

ADJUSTMENT

The only adjustment that can be made on the positioner is a zero adjustment. The zero adjusting screw is located under the positioner top cover.

To adjust the zero, set the instrument pressure to the midpoint of its span, and turn the zero adjustment until the valve is at the mid-point of its stroke.

In some cases, valve shut-off or opening may be required at a specific instrument pressure. To zero the positioner at this point, set the instrument pressure at the specific pressure and turn the zero adjustment screw until the valve reaches the required position.

A slight change of the instrument pressure should start to move the valve.

The valve stroke for a given span may also be suppressed or shifted to the desired range by means of the zero adjusting screw.

RANGE SPRING SELECTION

Range springs for the positioner are selected from the table in Figure 2. Color coding of the range springs is given by the table in Figure 3.

To find the proper spring, select the stroke listed which most nearly agrees with the desired stroke, and the pressure span which most nearly agrees with the desired span. The proper spring will be found at the intersection of these two columns.

Series 4090 and 12395 range springs are available for stroke range tolerances of $\pm 10\%$. Series 12388 range springs are available, at extra cost, for stroke range tolerances of $\pm 5\%$.

Valve Stroke (inches)	Input Pressure Span (see Special Notes below)								
	4	5	6	8	10	12	16	20	24
	Item No. of Range Spring Series 12395 Series +/- 5% stroke range tolerance								
1/4	1212	1012	812	612	512	412	624	524	424
5/16	1812	1212	1012	712	612	512	824	624	524
3/8	1812	1412	1212	1012	712	612	1024	724	624
7/16	2012	1812	1412	1012	812	712	1024	824	724
1/2	2412	2012	1612	1212	1012	812	1224	1024	824
9/16	2812	2012	1812	1412	1012	1012	1424	1024	
5/8	3212	2412	2012	1612	1212	1012	1624	1224	1024
3/4	3612	2812	2412	1812	1412	1212		1464	1224
7/8	4412	3612	2812	2012	1812	1412	2024	1624	1424
1	4812	4012	3212	2412	2012	1612	2424	2024	1624
1-1/8	5612	4412	3612	2812	2012	1812		2024	
1-1/4	6412	4812	4012	3212	2412	2012	2824	2424	2024
1-1/2		6412	4812	3612	2812	2412	4024	2824	2424
1-5/8		6412	4812	4012	3212	2612	4024	3224	
1-3/4		6412	5612	4412	3612	2812	4024	3224	2824
2			6412	4812	4012	3212	4824	4024	3224
2-1/4			6412	5612	4412	3612		4024	
2-1/2				6412	4812	4012		4824	4024
2-3/4				6412	4812	4412		4824	4824
3					6412	4812			4824
3-1/2						5612			
4						6412			

Special Notes:

- 1) All range springs are identified as Part No. (P/N) 12395-_____(# from table)
- 2) Input pressure span = pressure @ max. input – (minus) pressure @ min input, e.g. @ 3-15 psig range = @ 12 psig span

Spring Selection:

- 1) Find valve stroke nearest desired valve stroke.
- 2) Find instrument input pressure span nearest desired instrument input pressure span.
- 3) Select proper range spring at intersection of valve stroke and instrument input pressure span columns.

Springs purchased with models are quoted as model discounts all others get spare parts pricing.

Notes:

- 1) The maximum zero pressure for the Model 73N12F is 9 psig when the 12395 series range spring is used.
- 2) The maximum zero pressure for the Model 73N24F is 15 psig for instrument pressure spans of 16 psi or greater and 28 psig when used for spans of 12 psi or less.
- 3) The maximum instrument pressure for the Model 73N-FR is 15 psig for instrument pressure spans of 12 psi or less and 27 psi for spans of 16 psi or greater.

Figure 2 Range Spring Index

MAINTENANCE GENERAL

Clean, dry, oil-free instrument air will reduce most problems associated with pneumatic instruments. Refer to INSTRUMENT AIR REQUIREMENTS. If these requirements are observed, no routine maintenance is recommended. Cleaning the plunger is to only maintenance which may be required on an occasional basis.

The system should be shut down or the valve isolated from the system before service or removal of the positioner is accomplished.

CLEANING (Refer to parts list)

The plunger can be cleaned without dismantling the positioner. Use the following procedure:

1. Turn off the supply air.
2. Remove the positioner top cover.
3. Remove the retaining nut.
4. Remove the plunger.
5. Use a non-abrasive solvent to clean the plunger.
6. Replace the plunger.
7. Replace and tighten the retaining nut.
8. Replace the top cover.

DISASSEMBLY (Refer to parts list)

1. Loosen the six socket head mounting screws holding the positioner to the actuator.
2. Remove the positioner.
3. Remove the two body screws holding the diaphragm stack assembly to the positioner body (located on the underside of the stack).
4. The diaphragm stack assembly can be further disassembled by removing the diaphragm jam nut.

ASSEMBLY (Refer to parts list)

To assemble, reverse the disassembly procedures. Take care to insure proper alignment of the diaphragms and rings. When tightening the jam nut on the diaphragm assembly, make sure the diaphragms do not rotate out of position.

An alignment slot is provided on the rings to facilitate proper assembly.

RANGE SPRING NO. 12388 - ITEM 12395 - ITEM (L. H. WOUND)	COLOR CODE	
	12388	12395
412	Blue-White-Blue	Brown-White-Brown
424	White-Blue-White	Brown-Black-Brown
512	Blue-Brown-Blue	White-None-White
524	Brown-Blue-Brown	Black-None-Black
612	Blue-Black-Blue	Black-White-Black
624	Black-Blue-Black	Purple-Black-Purple
712	Blue-Green-Blue	Black-Green-Black
724	Green-Blue-Green	Black-Yellow-Black
812	Blue-Purple-Blue	Purple-White-Purple
824	Purple-Blue-Purple	Yellow-Black-Yellow
1012	Blue-Yellow-Blue	Yellow-White-Yellow
1024	Yellow-Blue-Yellow	Red-Black-Red
1212	Blue-Red-Blue	Red-White-Red
1224	Red-Blue-Red	Green-Black-Green
1412	Blue-Orange-Blue	White-Green-White
1424	Orange-Blue-Orange	Red-Green-Red
1612	Blue-Gray-Blue	Green-White-Green
1624	Gray-Blue-Gray	Orange-Black-Orange
1812	Gray-White-Gray	Yellow-Brown-Yellow
2012	Gray-Brown-Gray	Orange-White-Orange
2024	Brown-Gray-Brown	Purple-None-Purple
2412	Gray-Black-Gray	Yellow-None-Yellow
2424	Black-Gray-Black	Yellow-Purple-Yellow
2612	Gray-Green-Gray	Orange-Brown-Orange
2812	Gray-Purple-Gray	Green-Brown-Green
2824	Purple-Gray-Purple	Green-Red-Green
3212	Gray-Yellow-Gray	Red-Yellow-Red
3224	Yellow-Gray-Yellow	Red-Purple-Red
3612	Gray-Red-Gray	White-Black-White
4012	Gray-Orange-Gray	Green-Yellow-Green
4024	Orange-Gray-Orange	Green-Purple-Green
4412	Blue-Red-White	Red-None-Red
4812	Blue-Black-White	Orange-Yellow-Orange
4824	Black-Gray-White	Orange-Purple-Orange
5612	Blue-Black-Green	Brown-Orange-Brown
6412	Blue-Black-Red	Brown-None-Brown
4090 - Item (R. H. Wound)		
80	Red-Green	
100	Red-Orange	
126	Green-Green	
Zero Spring		
10448-16	Orange	
10448-23	Green	
10613-13	White	

Figure 3 Range and Zero Spring Color Codes

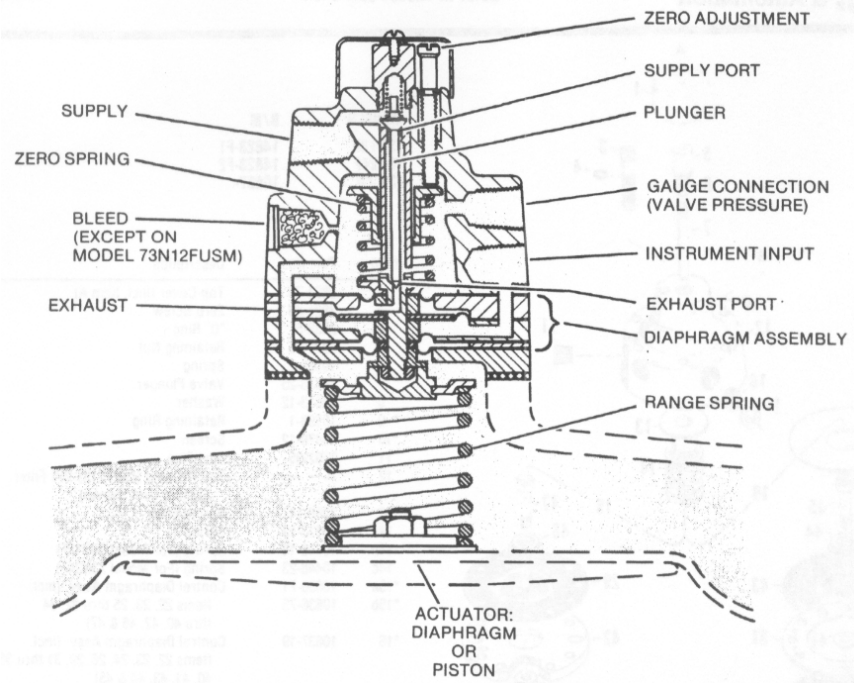


Figure 4 Schematic – Direct Acting

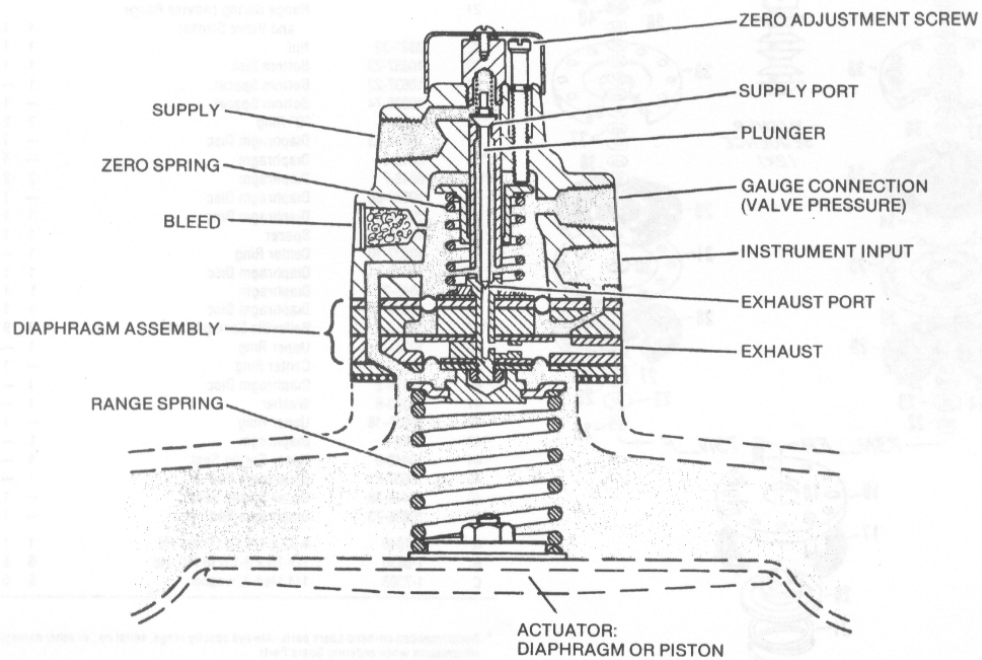


Figure 5 Schematic – Reverse Acting

CUSTOMER/PRODUCT SUPPORT

Support is available through an online Support Request service; a link is provided in the table at the end of this section.

When contacting Siemens for support:

- Please provide complete product information:
 - For hardware, this information is provided on the product nameplate (part number or model number, serial number, and/or version).
 - For most software, this information is given in the Help > About screen.
- If there is a problem with product operation:
 - Is the problem intermittent or repeatable? What symptoms have been observed?
 - What steps, configuration changes, loop modifications, etc. were performed before the problem occurred?
 - What status messages, error messages, or LED indications are displayed?
 - What troubleshooting steps have been performed?
 - Is the installation environment (e.g. temperature, humidity) within the product's specified operating parameters? For software, does the PC meet or exceed the minimum requirements (e.g. processor, memory, operating system)?
- A copy of the product Service Instruction, User's Manual, or other technical publication should be at hand. The Siemens public Internet site (see the table) has current revisions of technical literature, in Portable Document Format, for downloading.
- To send an instrument to Siemens for warranty or non-warranty service, call Repair Service and request a Return Material Authorization (RMA).

IMPORTANT

An instrument must be thoroughly cleaned (decontaminated) to remove any process materials, hazardous materials, or blood-borne pathogens prior to return for repair. Read and complete the Siemens RMA form(s).

Contact Information

For the location of your local Siemens representative, visit the Siemens Process Instrumentation product support page at <http://www2.sea.siemens.com/Products/Process-Instrumentation/Support/Customer-Support.htm>.

For technical support refer to the following table and click the appropriate link.

Technical Support	
Online Support Request	http://www.siemens.com/automation/support-request
Telephone	1 800 333 7421
Hours of Operation	8 a.m. to 4:45 p.m. eastern time, Monday through Friday (except holidays)
Technical Publications in PDF	http://www2.sea.siemens.com/Products/Process-Instrumentation/Support/PI-User-Manuals.htm then click the product line (e.g. Control Solutions)
Public Internet Site	http://www2.sea.siemens.com/Products/Process-Instrumentation
Repair Service	1 800 365 8766 extension 3187 (for warranty and non-warranty service)

WARRANTY

(a) Seller warrants that on the date of shipment the goods are of the kind and quality described herein and are free of non-conformities in workmanship and material. This warranty does not apply to goods delivered by Seller but manufactured by others.

(b) Buyer's exclusive remedy for a nonconformity in any item of the goods shall be the repair or the replacement (at Seller's option) of the item and any affected part of the goods. Seller's obligation to repair or replace shall be in effect for a period of one (1) year from initial operation of the goods but not more than eighteen (18) months from Seller's shipment of the goods, provided Buyer has sent written notice within that period of time to Seller that the goods do not conform to the above warranty. Repaired and replacement parts shall be warranted for the remainder of the original period of notification set forth above, but in no event less than 12 months from repair or replacement. At its expense, Buyer shall remove and ship to Seller any such nonconforming items and shall reinstall the repaired or replaced parts. Buyer shall grant Seller access to the goods at all reasonable times in order for Seller to determine any nonconformity in the goods. Seller shall have the right of disposal of items replaced by it. If Seller is unable or unwilling to repair or replace, or if repair or replacement does not remedy the nonconformity, Seller and Buyer shall negotiate an equitable adjustment in the contract price, which may include a full refund of the contract price for the nonconforming goods.

(c) SELLER HEREBY DISCLAIMS ALL OTHER WARRANTIES, EXPRESS OR IMPLIED, EXCEPT THAT OF TITLE. SPECIFICALLY, IT DISCLAIMS THE IMPLIED WARRANTIES OF MERCHANTABILITY, FITNESS FOR A PARTICULAR PURPOSE, COURSE OF DEALING AND USAGE OF TRADE.

(d) Buyer and successors of Buyer are limited to the remedies specified in this article and shall have no others for a nonconformity in the goods. Buyer agrees that these remedies provide Buyer and its successors with a minimum adequate remedy and are their exclusive remedies, whether Buyer's or its successors' remedies are based on contract, warranty, tort (including negligence), strict liability, indemnity, or any other legal theory, and whether arising out of warranties, representations, instructions, installations, or non-conformities from any cause.

(e) Note: The above does not apply to any software which may be furnished by Seller. In such cases, the attached Software License Addendum applies.

For warranty and non-warranty service, see the Customer/Product Support section of this manual.

All product designations may be trademarks or product names of Siemens Energy & Automation, Inc. or other supplier companies whose use by third parties for their own purposes could violate the rights of the owners.

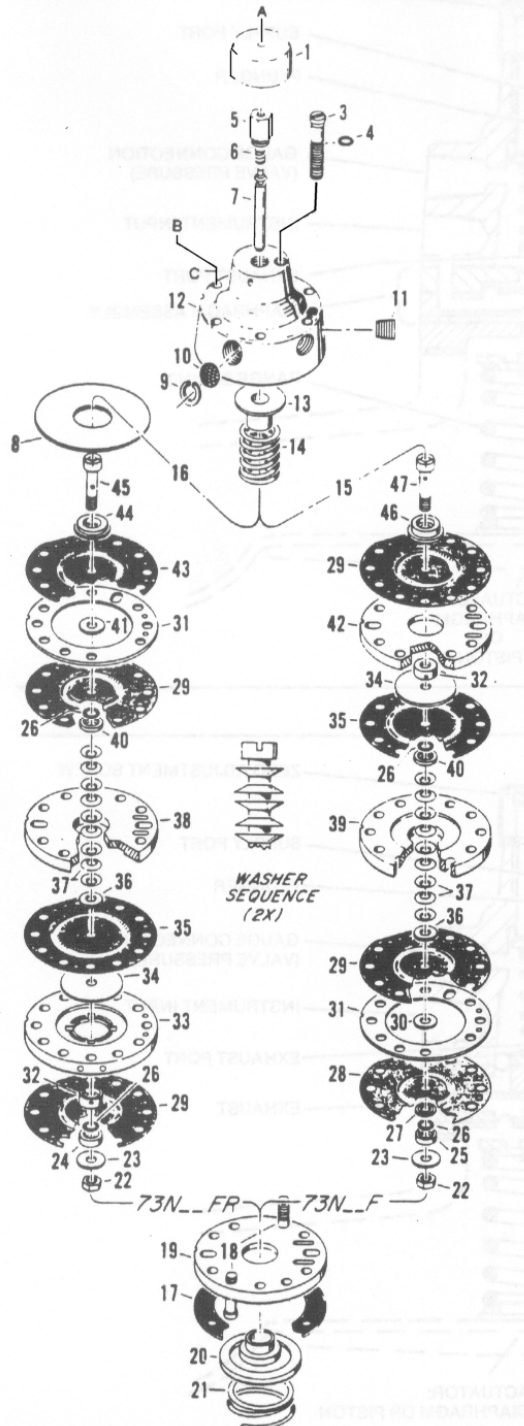
Siemens Energy & Automation, Inc. assumes no liability for errors or omissions in this document or for the application and use of information in this document. The information herein is subject to change without notice.

Procedures in this document have been reviewed for compliance with applicable approval agency requirements and are considered sound practice. Neither Siemens Energy & Automation, Inc. nor these agencies are responsible for product uses not included in the approval certification(s) or for repairs or modifications made by the user.

PARTS LIST

SIEMENS MODEL SERIES 73N BUILT-IN VALVE POSITIONER

Drawing No. 10636PL
3/91 Supersedes 8/88



Item	Part No.	Description	Req'd		
			MOD 73N-FR	MOD 73N12F	MOD 73N24F
1	3821-76	Top Cover (Incl. Item A)	1	1	1
3	3821-43	Zero Screw	1	1	1
* 4	2938-5	"O" Ring	1	1	1
5	3821-16	Retaining Nut	1	1	1
6	10380-2	Spring	1	1	1
* 7	10636-25	Valve Plunger	1	1	1
8	10613-12	Washer	1	—	—
* 9	10598-1	Retaining Ring	1	1	1
* 10	10479-12	Screen	1	1	1
11	3092-35	Pipe Plug	1	1	1
12	---	Top Housing (Incl. 2155-251 Filter Screen) (Not Shown)	1	1	1
13	7058-11	Spring Seat	1	1	1
14a	10613-13	Spring	1	—	—
14b	10448-16	Spring (For Model 73N12F)	—	1	—
14c	10448-23	Spring (For Model 73N24F)	—	—	1
*15a	10636-71	Control Diaphragm Assy. (Incl. Items 22, 23, 25 thru 32, 34 thru 40, 42, 46 & 47)	—	1	—
*15b	10636-75	Control Diaphragm Assy. (Incl. Items 22, 23, 24, 26, 29, 31 thru 38, 40, 41, 43, 44 & 45)	1	—	—
*16	10637-19	Control Diaphragm Assy. (Incl. Items 22, 23, 24, 26, 29, 31 thru 38, 40, 41, 43, 44 & 45)	1	1	1
17	3821-3	Gasket	1	1	1
18	3821-5	Screw	2	2	2
19	10636-22	Bottom Ring	1	1	1
20	10448-15	Spring Seat	1	1	1
21	---	Range Spring (Advise Range and Valve Stroke)	1	1	1
22	3821-32	Nut	1	1	1
23	10637-23	Bottom Disc	1	1	1
24	10637-22	Bottom Spacer	1	—	—
25	10636-74	Bottom Spacer	—	1	1
*26	2938-1	"O" Ring	2	2	2
27	10636-63	Diaphragm Disc	—	1	1
*28	8648-6	Diaphragm	—	1	1
*29	8648-7	Diaphragm	2	2	2
30	10636-66	Diaphragm Disc	—	1	1
31	10637-8	Diaphragm Ring	1	1	1
32	10448-10	Spacer	1	1	1
33	10637-10	Center Ring	1	—	—
34	10448-11	Diaphragm Disc	1	1	1
*35	8648-2	Diaphragm	1	1	1
36	10637-18	Diaphragm Disc	1	1	1
*37	14418-1	Belleville Spring Washer	9	9	8
38	10637-9	Upper Ring	1	—	—
39	10636-21	Center Ring	—	1	1
40	14819-2	Diaphragm Disc	1	—	—
41	10380-6	Washer	1	—	—
42	10636-18	Upper Ring	—	1	1
*43	8648-8	Diaphragm	1	—	—
44	10448-9	Upper Spring Seat	1	—	—
45	10637-21	Diaphragm Rod	1	—	—
46	10448-38	Upper Spring Seat	—	1	1
47	10636-73	Diaphragm Rod	—	1	1
A	1-1840	8-32 x 1/4 Lg. Truss Hd.	1	1	1
B	1-3830	1/4-20 x 2-13/16 Fill. Hd.	6	6	6
C	1-7303	1/4 Med. L washer	6	6	6

* Recommended on-hand spare parts. Always specify range, serial no., or other nameplate information when ordering Spare Parts

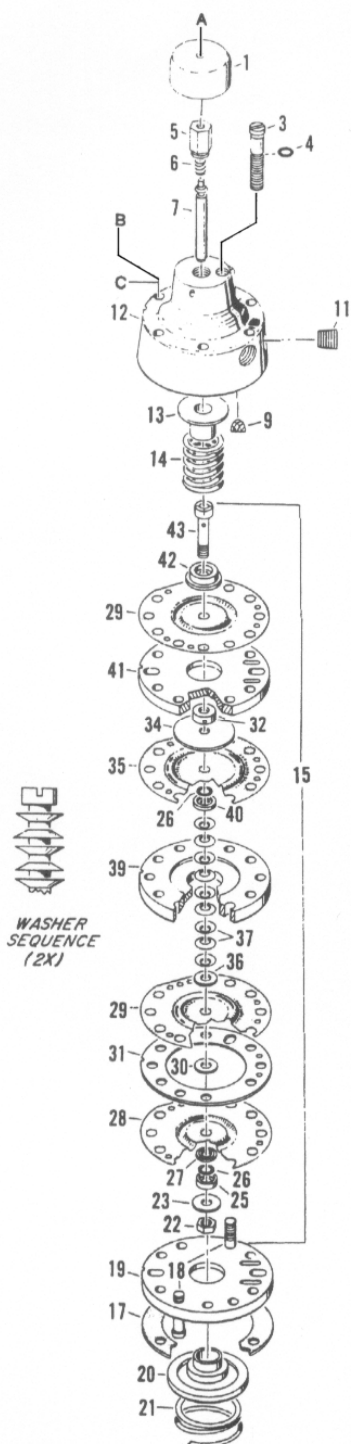
IMPORTANT

Service Parts Kits are available for servicing the instrument. Contact Siemens for available kits; refer to the Product Support section of this instruction. Some parts in this Parts List may not be available for separate purchase.

PARTS LIST

SIEMENS MODEL SERIES 73N12FUSM BUILT-IN VALVE POSITIONER

Drawing No. 10976PL
3/91 Supersedes 5/86



B/M 10976-

Item	Part No.	Description	Req'd.
1	3821-76	Top Cover (Incl. Item A)	1
3	3821-43	Zero Screw	1
* 4	2938-5	"O" Ring	1
5	3821-16	Retaining Nut	1
* 6	10380-2	Spring	1
* 7	10976-11	Valve Plunger	1
* 9	2155-225	Screen Insert	1
11	3092-35	Pipe Plug	1
12	10976-8	Top Housing (Incl. Item 9)	1
13	7058-11	Spring Seat	1
14	10448-16	Spring	1
15	10636-71	Control Diaphragm (Incl. Items 22, 23, 25 thru 32, 34 thru 37 & 39 thru 43)	1
*17	3821-3	Gasket	1
18	3821-5	Screw	2
19	10636-22	Bottom Ring	1
20	10448-15	Spring Seat	1
21		Range Spring (Advise Stroke)	1
22	3821-32	Nut	1
23	10637-23	Bottom Disc	1
25	10636-74	Bottom Spacer	1
*26	2938-1	"O" Ring	2
27	10636-63	Diaphragm Disc	1
*28	8648-6	Diaphragm	1
*29	8648-7	Diaphragm	2
30	10636-66	Diaphragm Disc	1
31	10637-8	Diaphragm Ring	1
32	10448-10	Spacer	1
34	10448-11	Diaphragm Disc	1
*35	8648-2	Diaphragm	1
36	10637-18	Diaphragm Disc	1
37	14418-1	Belleville Spring Washer	9
39	10636-21	Center Ring	1
40	14819-2	Diaphragm Disc	1
41	10636-18	Upper Ring	1
42	10448-38	Upper Spring Seat	1
43	10636-73	Diaphragm Rod	1
A	1-1840	8-32 x 1/4 Lg. Truss Hd.	1
B	1-3830	1/4-20 x 2-13/16 Fill. Hd.	6
C	1-7303	1/4 Med. L'washer	6

* Recommended on-hand spare parts. Always specify range, serial no., or other nameplate information when ordering Spare Parts.

IMPORTANT

Service Parts Kits are available for servicing the instrument. Contact Siemens for available kits; refer to the Product Support section of this instruction. Some parts in this Parts List may not be available for separate purchase.