

FINE CONTROLS (UK) LTD



Fine Controls have been supplying process controls & instrumentation equipment since 1994, & now serves an ever expanding customer base, both in the UK & globally.

We offer a full range of valve & instrumentation products & services, with our product range representing leading technologies & brands:

Flow: Flow Meters & Transmitters, Flow Switches, Flow Control Valves & Batch Control Systems

Temperature: Temperature Probes & Thermowells, Temperature transmitters, Temperature Regulators & Temperature Displays

Level: Level Transmitters & Switches

Pressure: Pressure Gauges & Transmitters, Precision & High Pressure Regulators & I-P Converters, Volume boosters.

Precision Pneumatics: Pressure Regulators, I-P Converters, Volume Boosters, Vacuum Regulators

Valves: Solenoid & Pneumatic Valves, Control Valves & Positioners, Actuated Ball, Globe or Diaphragm Valves & Isolation Valves

Services: Repair, Calibration, Panel Build, System Design & Commissioning

A rotork® Brand
FAIRCHILD



bürkert



SIEMENS



alcon
SOLENOID VALVES

A rotork® Brand



MIDLAND-ACS
A rotork® Brand



Honeywell



Bourdon
Baumer Group



SOLDO
CONTROLS

A rotork® Brand

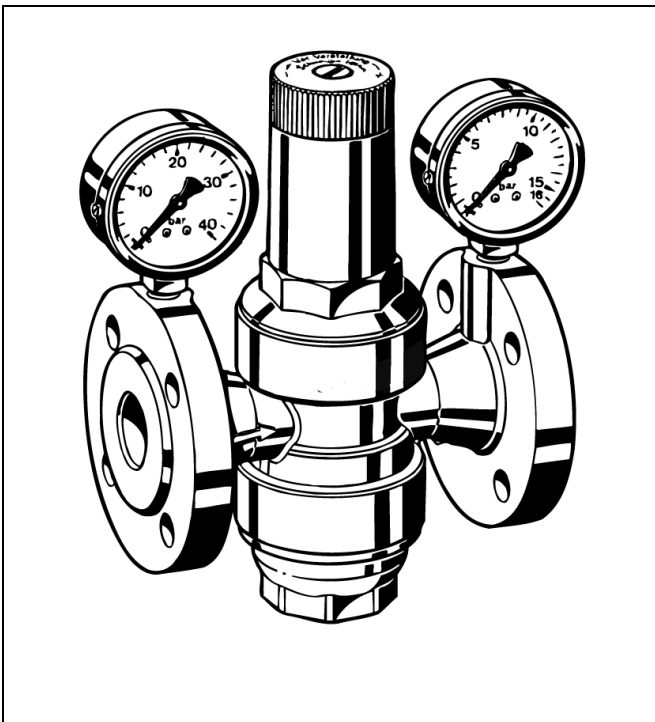


Fine Controls (UK) LTD, Bassendale Road, Croft Business Park,
Bromborough, Wirral, CH62 3QL UK
Tel: 0151 343 9966
Email: sales@finecontrols.com

D16

Pressure reducing valve with flange connection Standard pattern

Product specification sheet



Construction

The pressure reducing valve comprises:

- Housing with PN25 flanges to DIN 86021
- Valve insert complete with diaphragm and valve seat
- Spring bonnet with adjustment knob
- Filter with 0.5 mm mesh
- Filter bowl
- Adjustment spring
- Pressure gauge not included (see accessories)

Materials

- Red bronze housing
- High-quality synthetic material valve insert
- Brass spring bonnet
- Stainless steel filter mesh
- Brass filter bowl
- Spring steel adjustment spring
- Fibre-reinforced NBR diaphragm
- NBR seals

Application

Pressure reducing valves of this type protect installations against excessive pressure from the supply. They can be used for household, industrial or commercial applications within the range of their specification.

By installing a pressure reducing valve, pressurisation damage is avoided and water consumption is reduced.

The set pressure is also maintained constant, even when there is wide inlet pressure fluctuation.

Reduction of the operating pressure and maintaining it at a constant level minimizes flow noise in the installation.

Special Features

- The outlet pressure is set by turning the adjustment knob
- G $\frac{1}{4}$ " pressure gauge connections on inlet and outlet
- The adjustment spring is not in contact with the potable water
- The valve insert is of high quality synthetic material and can be fully exchanged
- Integral filter
- Easily retrofittable to convert valve to a reverse-rinsing filter combination
- Inlet pressure balancing - fluctuating inlet pressure does not influence outlet pressure
- Meets KTW recommendations for potable water

Range of Application

Medium Water, compressed air* and nitrogen* in consideration of valid standards (e.g. DIN EN 12502)

Inlet pressure max. 25 bar

Outlet pressure 1.5 - 12 bar

Set during manufacture at 4.0 bar outlet pressure

Technical Data

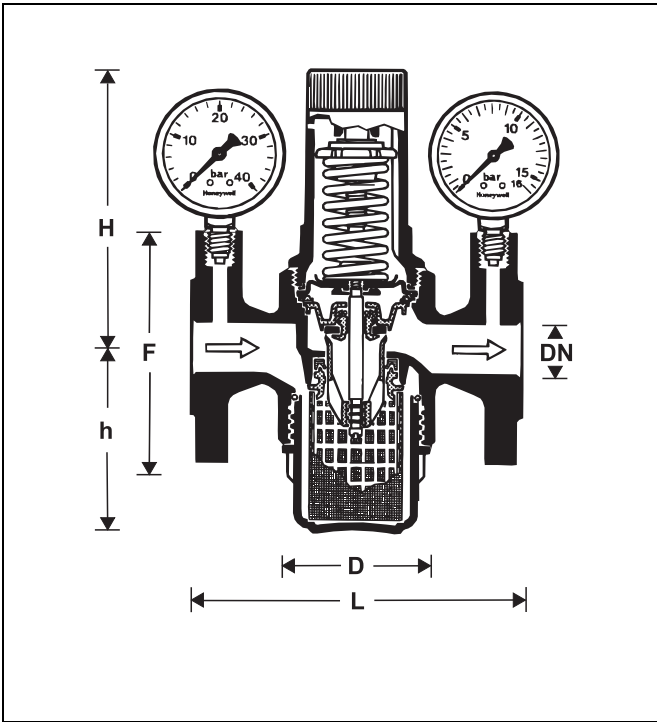
Operating temperature max. 70°C

Nominal pressure PN25

Minimum pressure 1 bar drop

Nominal size DN15 - DN40

*As part of an installation being approved according to PED requirements, this product must also be certified.



Method of Operation

Spring loaded pressure reducing valves operate by means of a force equalising system. The force of a diaphragm operates against the force of an adjustment spring. If the outlet pressure and therefore diaphragm force fall because water is drawn, the then greater force of the spring causes the valve to open. The outlet pressure then increases until the forces between the diaphragm and the spring are equal again.

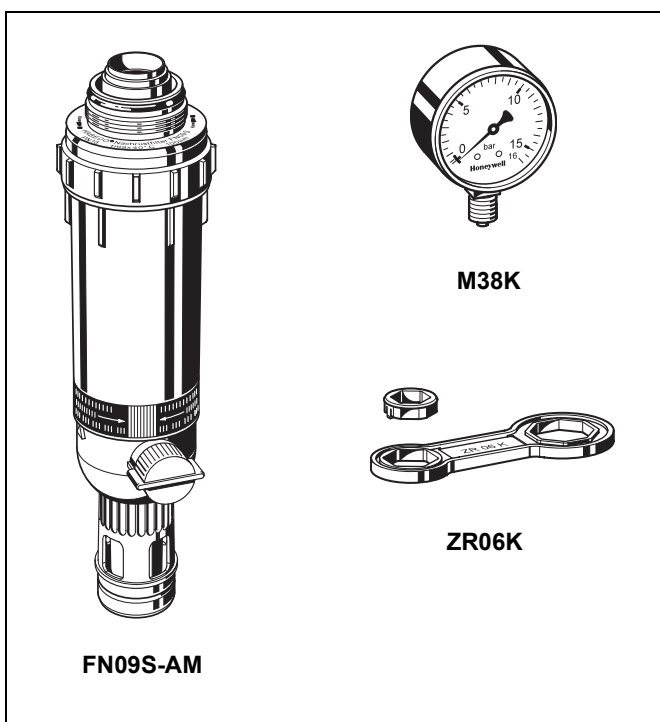
The inlet pressure has no influence in either opening or closing of the valve. Because of this, inlet pressure fluctuation does not influence the outlet pressure, thus providing inlet pressure balancing.

Options

D16... A = With PN 25 flanged connections to DIN 86021
Special Versions available on request

Connection size

Connection size	R	15	20	25	32	40
Weight	approx. kg	2.9	3.6	5.6	7.5	9.5
Dimensions	mm					
	L	130	130	160	180	200
	H	103	103	140.5	140.5	172
	h	51.5	51.5	77	77	114.5
	D	56	56	74	74	85
F	95	95	115	140	150	
k _{VS} -value		3.0	3.3	8.5	10.1	13.5



Accessories

FN09S-AM HABEDO ® Retrofit filter

Reverse-rinsing filter with red bronze filter cup for retro-conversion of a pressure reducing valves to a filter combination unit

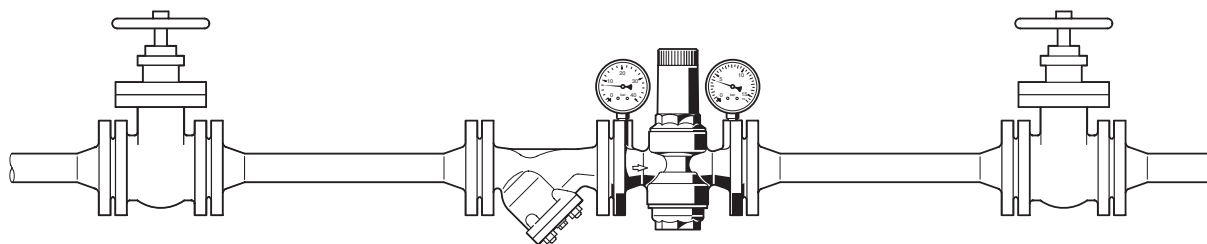
M38K Pressure gauge

Housing diameter 50 mm, below connection thread G¹/₄". Ranges: 0 - 4, 0 - 10, 0 - 16 or 0 - 25 bar. Please indicate upper value of pressure range when ordering

ZR06K Double ring wrench

For removal of spring bonnet and filter bowl

Installation Example



Connection size	DN	15	20	25	32	40
W*	mm	55	60	65	80	90

* Minimum distance from wall to centre line of pipework

Installation Guidelines

- Install in horizontal pipework with filter bowl downwards.
- Install shutoff valves
- The installation location should be protected against frost and be easily accessible
 - o Pressure gauge can be read off easily
 - o Simplified maintenance and cleaning
- Install downstream of the strainer
 - o This position ensures optimum protection for the pressure reducing valve against dirt
- Provide a straight section of pipework of at least five times the nominal valve size after the pressure reducing valve (in accordance with DIN 1988, Part 5)

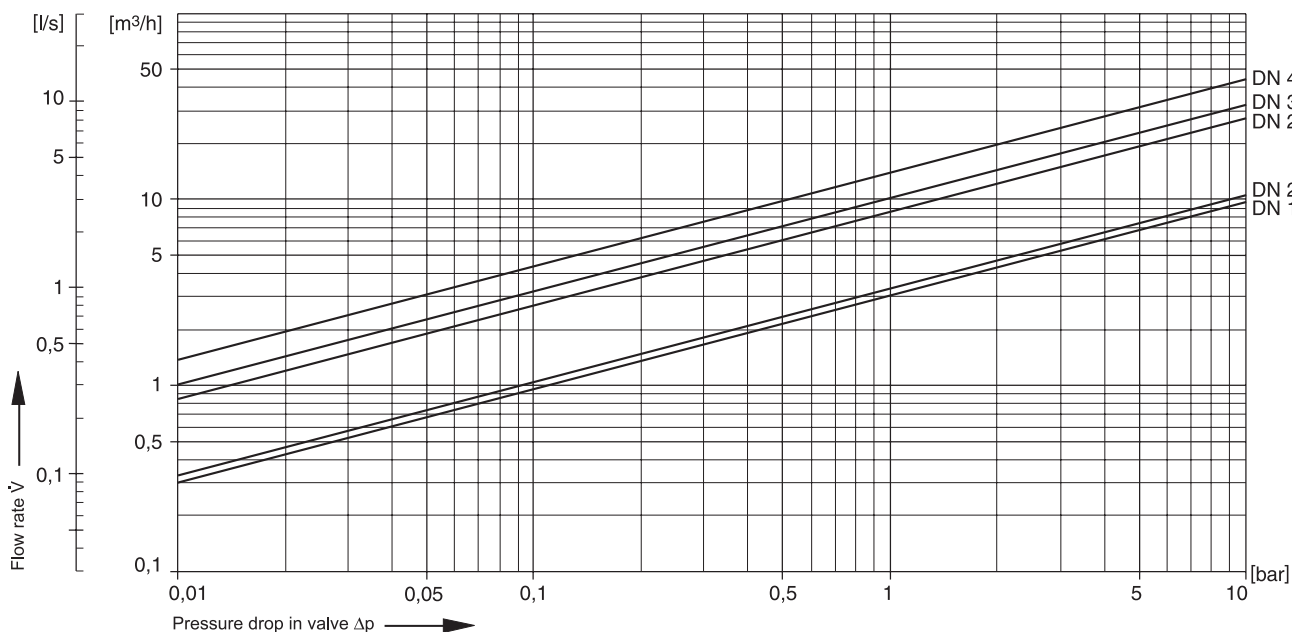
Typical Applications

Pressure reducing valves of this type are suitable for household, industrial and commercial applications within the range of their specifications.

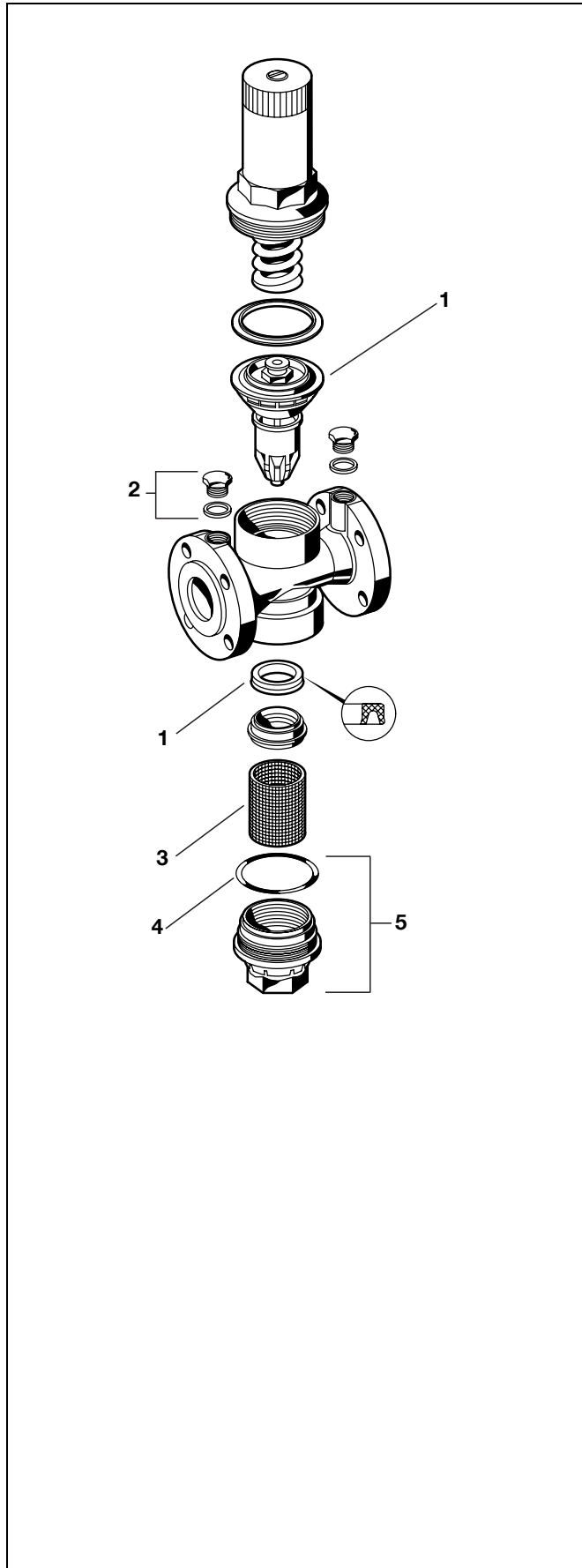
Pressure reducing valves should be installed:

- If the static pressure exceeds the maximum permissible value for the system
- If several pressure zones are required when a pressurisation system is used (pressure reducers on each storey of a building)
- If pressure fluctuations in the downstream system must be avoided
- To achieve constant inlet and outlet pressures on pumped pressure boosting systems

Flow Diagram



EN0H-1005GEZ3 R1109 • Subject to change



Spare Parts

Pressure Reducing Valve D16, from 1983 onwards

No.	Description	Dimension	Part No.
1	Valve insert complete for D16	DN 15 + 20	D16A-15
		DN 25 + 32	D16A-25
		DN 40	D16A-40
2	Hexagon-plug with copper sealing-ring R ¹ / ₄ " (5 pcs.)	all	S06M-1/4
3	Replacement filter insert	DN 15 + 20	ES16-15
		DN 25 + 32	ES16-25
		DN 40	ES16-40
4	O-ring (10 pcs)	DN15 + DN20	0901246
		DN25 + DN32	0901247
		DN40	0901248
5	Brass filter bowl with o-ring	DN15 + DN20	SM06T-1/2
		DN25 + DN32	SM06T-1A
		DN40	SM06T-11/2

Automation and Control Solutions

Honeywell GmbH
 Hardhofweg
 D-74821 Mosbach
 Phone: (49) 6261 810
 Fax: (49) 6261 81309
<http://europe.hbc.honeywell.com>
www.honeywell.com

Manufactured for and on behalf of the
 Environmental and Combustion Controls Division
 of Honeywell Technologies Sàrl, Z.A. La Pièce 16,
 1180 Rolle, Switzerland by its Authorised Representative Honeywell GmbH

EN0H-1005GE23 R1109
 Subject to change without notice
 © 2009 Honeywell GmbH

Honeywell