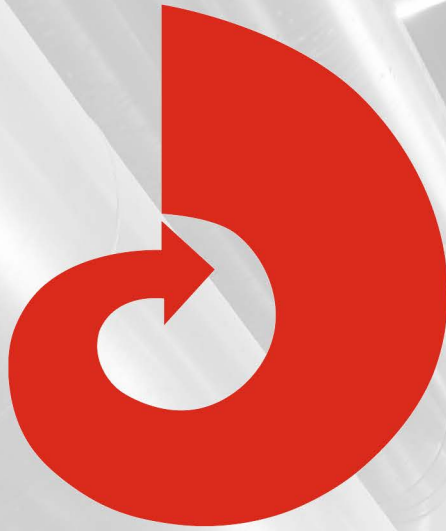


FINE CONTROLS (UK) LTD



Fine Controls have been supplying process controls & instrumentation equipment since 1994, & now serves an ever expanding customer base, both in the UK & globally.

We offer a full range of valve & instrumentation products & services, with our product range representing leading technologies & brands:

Flow: Flow Meters & Transmitters, Flow Switches, Flow Control Valves & Batch Control Systems

Temperature: Temperature Probes & Thermowells, Temperature transmitters, Temperature Regulators & Temperature Displays

Level: Level Transmitters & Switches

Pressure: Pressure Gauges & Transmitters, Precision & High Pressure Regulators & I-P Converters, Volume boosters.

Precision Pneumatics: Pressure Regulators, I-P Converters, Volume Boosters, Vacuum Regulators

Valves: Solenoid & Pneumatic Valves, Control Valves & Positioners, Actuated Ball, Globe or Diaphragm Valves & Isolation Valves

Services: Repair, Calibration, Panel Build, System Design & Commissioning

A rotork® Brand
FAIRCHILD



bürkert



SIEMENS



alcon
SOLENOID VALVES

A rotork® Brand



MIDLAND-ACS
A rotork® Brand



Honeywell



Bourdon
Baumer Group



SOLDO
CONTROLS

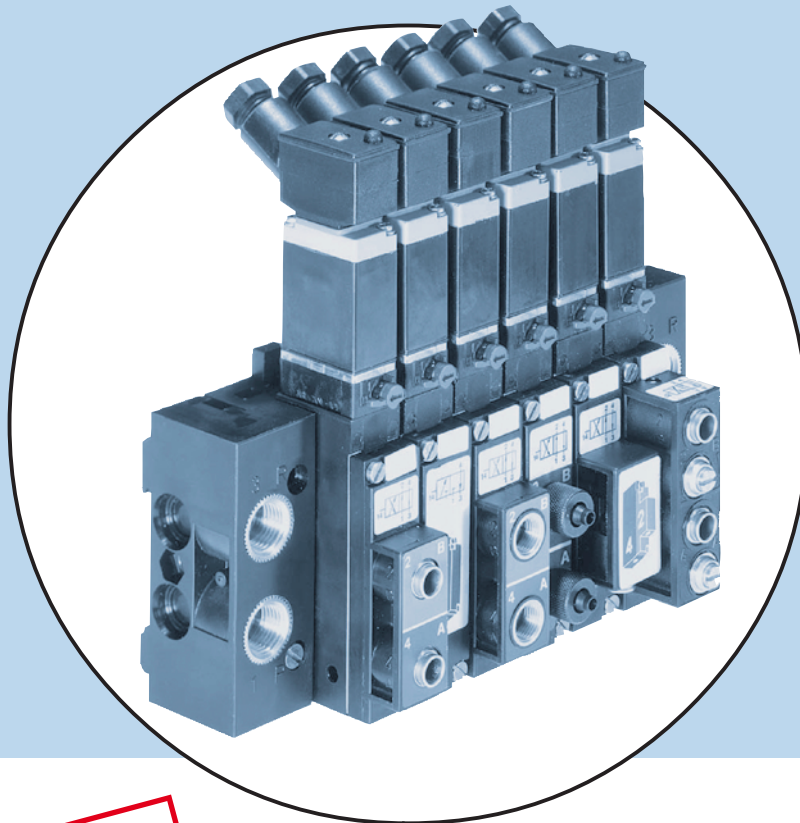
A rotork® Brand



Fine Controls (UK) LTD, Bassendale Road, Croft Business Park,
Bromborough, Wirral, CH62 3QL UK
Tel: 0151 343 9966
Email: sales@finecontrols.com

Operating Instructions

Bedienungsanleitung
Instructions de Service



MAN 1000010017 ML Version: H Status: RL (released / freigegeben) printed: 15.07.2010

**Voltage 12V or 24V
UL / UR valid with
class 2 power supply only**

Type 5470

Block Assembly and Modular Pneumatic
Basic Rail MP05

Mehrfachblock und modulare, pneumatische
Grundschiene Type MP05

Bloc multiple et Profil pneumatique modulaire
Type MP05

We reserve the right to make technical changes without notice.
Technische Änderungen vorbehalten.
Sous réserve de modification techniques.

© 2000 Bürkert Werke GmbH & Co. KG

Operating Instructions 0606/10_EU-ML_00803136

Contents of the operating instructions for the block assemblies type 5470 modulare, pneumatic basic rail type MP05

english

GENERAL NOTES	3
Symbols	4
Safety notes	4
Warranty conditions	5
TECHNICAL DESCRIPTION	7
Valve construction	8
Valve operations of the type 5470	8
Media	9
Electrical connections	9
INSTALLATION, INITIALISATION AND SERVICE	11
General Notes	12
Setting up block assemblies using the modular pneumatic basic rails type MP05	12
Dismantling the module	13
Other possible uses of the connecting module, - right-hand -	13
Mounting the valve block	13
Mounting of single valves	14
Measures to be taken before putting into service	15
Faults	16

Voltage 12V or 24V
UL / UR valid with
class 2 power supply only

MAN 1000010017 ML Version: H Status: RL (released | freigegeben) printed: 15.07.2010

GENERAL NOTES

Symbols	4
Safety notes	4
Warranty conditions	5

Symbols

In these Operating Instructions, the following symbols are used:

→ indicates a working step that you will have to carry out.



ATTENTION!

Indicates information which must be followed. Failure to do this could endanger your health or the functionality of the device



NOTE

Indicates important additional information, tips and recommendations.

Safety notes



To ensure that the device will function correctly, and have a long service life, please comply with the information in these Operating Instructions, as well as with the application conditions and additional data given in the Type 5470 data sheet:

- When planning the application of the device, and during its operation, observe the general technical rules!
- Observe the relevant accident prevention and safety regulations applicable for electrical equipment throughout the operation, maintenance and repair of the device; always switch off the voltage supply before working on the system!
- Note that lines and valves must not be unscrewed from systems that are under pressure!
- Take suitable measures to prevent unintentional operation or impermissible impairment!
- If these instructions are ignored, no liability will be accepted from our side, and the guarantee on the device and on accessories will become invalid!



NOTE

Approvals such as Ex, UL, UR, CSA, DVGW etc., will be indicated on the rating plate, or by a special label.

If there are discrepancies, please contact immediately your Bürkert subsidiary or our customer service:

Bürkert Steuer- und Regelungstechnik, Service-department

Chr.-Bürkert-Str. 13-17, D-76453 Ingelfingen

Tel.: (07940) 10-111

Fax: (07940) 10-448

eMail: info@de.buerkert.com

Warranty conditions

This document contains no warranty statements. In this connection we refer to our general sales and business conditions. A prerequisite for validity of the warranty is use of the device as intended with observance of the specified conditions of use.

**ATTENTION!**

The warranty covers only faultless condition of the Block Assemblies Type 5470 and Modular Pneumatic Basic Rails Type MP 05. No liability will be accepted for consequent damage of any kind that may arise from failure or malfunctioning of the device.

english

MAN 1000010017 ML Version: H Status: RL (released | freigegeben) printed: 15.07.2010

TECHNICAL DESCRIPTION

Valve construction	8
Valve operations of the Type 5470	8
Media	9
Electrical connections	9

Valve construction

- 3/2 way pilot valve with various electrical connection possibilities.
- Valve body with diaphragm, seat seal and A/B manifolds.
- 2 (B) / 4 (A) service ports plus supply and venting ports 1 (P) / 3 (R), as option with internal thread. Plug-in connectors or pointed hose nipples.
- The valve can be mounted on the modular pneumatic basic rail Type MP05 to form valve banks.
- Can be mounted in any position, preferably with the magnetic system at the top.
- Manual override for hand operation of the valve

english

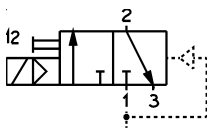


NOTE

|| The valves require no maintenance, even for dry-air operation.

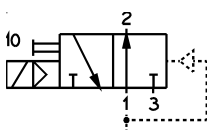
Valve operations of the Type 5470 valves

3/2 way valve



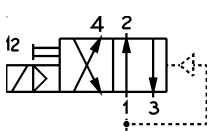
In de-energised position, pressure inlet 1 closed, outlet port 2 exhausted

3/2 way valve



In de-energised position, pressure inlet 1 connected to outlet port 2

4/2 way valve



In de-energised position, pressure inlet 1 connected to outlet 2, outlet port 4 exhausted.



NOTE

|| A simple conversion of the 4/2 way valve to a 3/2 way valve is possible by closing off one of the service ports:
 Service port 2 → valve operation C;
 Service port 4 → valve operation D.

MAN 1000010017 ML Version: H Status: RL (released | freigegeben) printed: 15.07.2010

Media

- Filtered compressed air (max. particle size 10 µm), preferably non-oiled
- Operation is possible with oiled air
- Seal material: NBR
- Permissible medium temperature: max. + 50 ° C
- Permissible ambient temperature: max. + 55 ° C
- Operational pressure range: 2 - 8 bar



NOTE

The pilot pressure of the pneumatic controller is dependent on the pressure of the flow of medium: it must not exceed a maximum of 8 bar!



ATTENTION!

Observe the permissible pressure range given on the rating plate!
Pressure difference between Ports 1 and 3 ³ 2 bar
For temperatures below 0 °C, operation is limited to dry-air operation.

Electrical connections

Pilot valve Type 6106

- Read the voltage, electrical power, type of protection and current from the rating plate!
- Voltage tolerance ±10 %;
- Ensure a long service life of the pilot valve by using a 10µ filter!
- Electrical connection: Instrument socket type 2506 to the tag connection on the coil (tightening torque: 1 Nm);
- Protection level IP 65 (only in combination with appliance socket type 2506);
- To match the cable run, the instrument socket can be mounted rotated by 180°.



NOTE

The coil heats up during operation!



ATTENTION!

Take note of the voltage used; with alternating current, always use the instrument socket Type 2506, or connect a rectifier into the circuit!
When screwing down the instrument socket onto the coil, ensure that the flat seal is well seated!

english

MAN 1000010017 ML Version: H Status: RL (released | freigegeben) printed: 15.07.2010

INSTALLATION INITIALISATION AND SERVICE

General Notes	12
Setting up block assemblies using te modular pneumatic rails Type MP05	12
Dismantling the module	13
Other possible uses of the connecting module, - right-hand -	13
Mounting the valve block	13
Mounting the single valve	14
Measures to be taken before putting into service	15
Faults	16

General Notes

- Work on the valve should only be carried out by specialist staff and with the correct tools!
- Before working on the system, always turn off the supply voltage!
- Clean the piping system before installing the valve!
- Where necessary, connect a strainer upstream to protect against faults.
- When tightening the connections, never use the coil as a lever!
- Ensure that the operational conditions agree with the performance data of the unit!
- Avoid back-pressures in the exhaust channels by the use of large-volume silencers!



ATTENTION!

Lines or valves must never be loosened while the system is under pressure!

MANUAL OVERRIDE:

- To operate the valve manually, turn the manual override by 90° in the direction of the arrow.

Setting up block assemblies using the modular pneumatic rail MP05

With combination of two-way and three-way base modules, you can assemble valve blocks of any size.



NOTE

It is advisable to start the assembly with the left-most connector module (Fig. 1).

- Check that each module is fitted with 2 O-rings!
- Before locking together, lightly grease or oil the fitted O-rings.
- Insert the lower hook of the module being added into the slot on the previous.
- Lightly press the module being fitted upwards and latch in the upper locking hook.
- Lay the 3 O-rings into the recess in the rear side of the valve. Ensure that the seals are seated exactly!



ATTENTION!

Squashed O-rings cause leakages in the block!

- Secure the valves to the base module using 2 screws each. (Tightening torque max. 0.5 Nm).
- Mount the complete valve block onto the wall or the standard rail.
- Connect the supply and working lines.
- Make the electrical connections to the pilot valves: in doing this, observe the values given on the rating plate!

Dismantling the module

- Unlatch the upper locking hook by using a screwdriver on the end dismantling-groove.
- Remove the block part / module sideways.

Other possible uses of the connecting module, - right-hand -

- As a **separation module** for special applications when building up several pressure levels in a single block.
- Additional supply lines for larger valve blocks.



NOTE

|| Where necessary, break out the rated break-points of ports 1 and 3.

Mounting the valve block

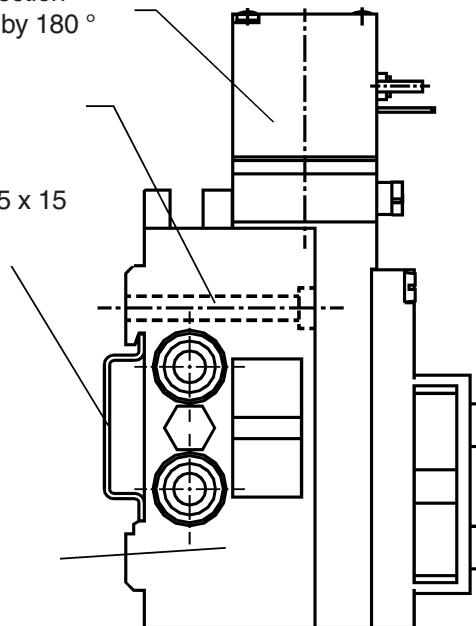
Standard rails

Electrical connection can be rotated by 180°

Wall mounting

Standard rail 35 x 15
or 35 x 7,5
EN 50022

Connecting module



Installation

- Hang the valve block onto the upper groove of the standard rail.
- Latch the lower clamp into the standard rail.
- Firmly tighten the screws on the clamp.

Dismounting

- Loosen the clamping screws (by about 4 revolutions).
- Remove the block upwards from the standard rail.

Figure 2: Mounting the valve block

Wall mounting

- Fix the module system directly to the wall using M4 screws.

Mounting single valves

→ Fix the single valve directly to the wall using M4 screws.



ATTENTION!

When mounting, do not distort the valve body!

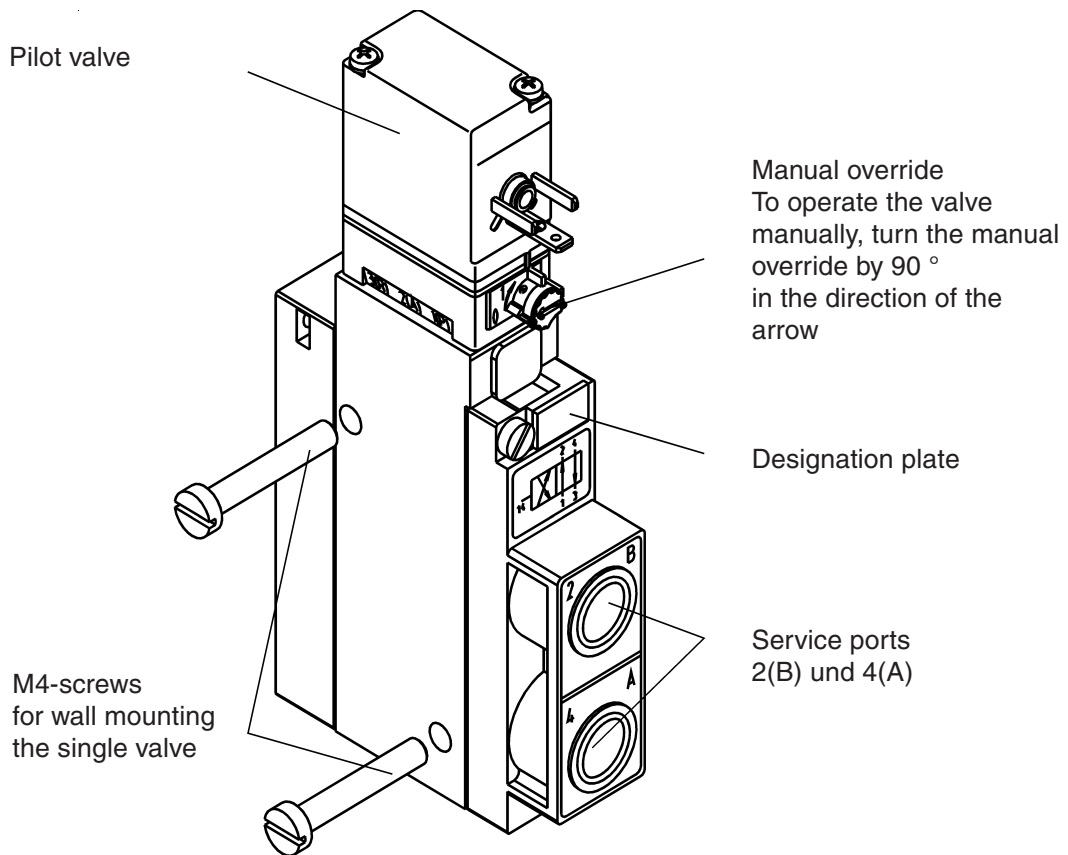


Fig. 3: Mounting single valve

Plug-in connections



NOTE

For plug-in connections, the hose lines must meet the following requirements:

- Minimum rigidity of 40 Shore D (to DIN 53505 or ISO 868);
- External diameter corresponding to DIN 73378 (max. permissible deviation $\pm 0,1$ mm from nominal dimension);
- Without burr, cut at right-angles and with undamaged circumference;
- The hose lines must be pushed into the plug-in connectors up to the stop.

Dismantling the plug-in connections

→ To release the line, press in the pressure ring and pull out the hose line.

Measures to be taken before putting into service

- Check all connections, voltages and the operational pressure!
- Ensure that the max. operational conditions (see rating plate) will not be exceeded!
- Check that ports 1 and 3 are correctly connected according to the regulations. These connections must not be interchanged for any reason!
- When operating electrically, unlock the manual override!

Faults

Faults	Possible cause	Correction
Valve does not switch:	Operational voltage too low or not present; Manual override not in neutral position; Compressed air supply not available or insufficient.	Check the electrical supply connections. Ensure that the electrical power supply is the same as that specified on the rating plate. Set the manual override to the zero position. Carry out the dimensioning of the compressed air connection with volumes as large as possible (including that of upstream pressure regulators, service units, cut-off valves etc.) Minimum operational pressure ≥ 2 bar
Valve switch with a delay, or exhaust through the venting ports:	Compressed air supply not available or insufficient; Insufficient venting of the exhaust channels due to silencers that are too small or are soiled (back-pressure); Impurities or foreign matter in the pilot valve or main valve.	Carry out the dimensioning of the compressed air connection with volumes as large as possible (including that of upstream pressure regulators, service units, cut-off valves etc.) Minimum operational pressure ≥ 2 bar Use silencers or expansion channels with sufficient dimensions. Clean soiled silencers. Blast through the exhaust channels with pulsed compressed air, to blow out impurities. Install a new pilot or main valve if these measures bring no improvement.
Leaking valve block:	O-rings between the modules missing or damaged; Missing or incorrectly positioned flat seals between the valve and the baseplate.	Check for leaks and for missing seals. Install the missing seals and replace damaged seals.

Notes

MAN 1000010017 ML Version: H Status: RL (released | freigegeben) printed: 15.07.2010

english

english

MAN 1000010017 ML Version: H Status: RL (released | freigegeben) printed: 15.07.2010

Inhaltsverzeichnis der Betriebsanleitung Mehrfachblock Typ 5470 Modulare, pneumatische Grundschiene Typ MP05

ALLGEMEINE HINWEISE	21
Darstellungsmittel	22
Sicherheitshinweise	22
Garantiebestimmungen	23
TECHNISCHE BESCHREIBUNG	25
Ventilaufbau	26
Wirkungsweise der Ventile Typ 5470	26
Medien	27
Elektrischer Anschluss	27
MONTAGE, INBETRIEBNAHME UND WARTUNG	29
Allgemeine Hinweise	30
Aufbau des Mehrfachblocks mit der modularen, pneumatischen Grundschiene Typ MP05	30
Demontage der Module	31
Weitere Einsatzmöglichkeiten der Anschlussmodule, rechts	31
Befestigung des Ventilblocks	31
Befestigung von Einzelventilen	32
Maßnahmen vor Inbetriebnahme	33
Störungen	34

Voltage 12V or 24V
UL / UR valid with
class 2 power supply only

deutsch

MAN 1000010017 ML Version: H Status: RL (released | freigegeben) printed: 15.07.2010

deutsch

MAN 1000010017 ML Version: H Status: RL (released | freigegeben) printed: 15.07.2010

ALLGEMEINE HINWEISE

Darstellungsmittel	22
Sicherheitshinweise	22
Garantiebestimmungen	23

deutsch

Darstellungsmittel

In dieser Betriebsanleitung werden folgende Darstellungsmittel verwendet:

→ markiert einen Arbeitsschritt, den Sie ausführen müssen.



ACHTUNG

kennzeichnet Hinweise, bei deren Nichtbeachtung Ihre Gesundheit oder die Funktionsfähigkeit des Gerätes gefährdet ist.



HINWEIS

kennzeichnet wichtige Zusatzinformationen, Tipps und Empfehlungen.

Sicherheitshinweise



Bitte beachten Sie die Hinweise dieser Betriebsanleitung sowie die Einsatzbedingungen und zulässigen Daten gemäß Datenblatt Typ 5470, damit das Gerät einwandfrei funktioniert und lange einsatzfähig bleibt.

- Halten Sie sich bei der Einsatzplanung und dem Betrieb des Gerätes an die allgemeinen Regeln der Technik!
- Beachten Sie, dass in Systemen, die unter Druck stehen, Leitungen und Ventile nicht gelöst werden dürfen.
- Beachten Sie die geltenden Unfallverhütungs- und Sicherheitsbestimmungen für elektrische Geräte während des Betriebes, der Wartung und der Reparatur!
- Schalten Sie vor Eingriffen in das System in jedem Fall die Spannung ab!
- Treffen Sie geeignete Maßnahmen, um unbeabsichtigtes Betätigen oder unzulässige Beeinträchtigung auszuschließen!
- Bei Nichtbeachtung dieser Hinweise und unzulässigen Eingriffen in das Gerät entfällt jegliche Haftung unsererseits, ebenso erlischt die Garantie auf Geräte und Zubehörteile!



HINWEIS

Zulassungen wie Ex, UL, UR, CSA, DVGW usw. werden auf dem Typenschild oder durch einen besonderen Aufkleber gekennzeichnet.

Bei Unstimmigkeiten wenden Sie sich bitte umgehend an Ihre Bürkert-Niederlassung oder an unseren Kundenservice:

Bürkert Steuer- und Regelungstechnik, Service-Abteilung
 Chr.-Bürkert-Str. 13-17, D-76453 Ingelfingen
 Tel.: (07940) 10-111
 Fax: (07940) 10-448
 eMail: info@de.buerkert.com

Garantiebestimmungen

Diese Druckschrift enthält keine Garantiezusagen. Wir verweisen hierzu auf unsere allgemeinen Verkaufs- und Geschäftsbedingungen. Voraussetzung für die Garantie ist der bestimmungsgemäße Gebrauch des Gerätes unter Beachtung der spezifizierten Einsatzbedingungen.



ACHTUNG

Die Gewährleistung erstreckt sich nur auf die Fehlerfreiheit des Mehrfachblocks Typ 5470 sowie der modularen, pneumatischen Grundschiene Typ MP05. Es wird keine Haftung übernommen für Folgeschäden jeglicher Art, die durch Ausfall oder Fehlfunktion des Gerätes entstehen könnten.

deutsch

MAN 1000010017 ML Version: H Status: RL (released | freigegeben) printed: 15.07.2010

TECHNISCHE BESCHREIBUNG

deutsch

Ventilaufbau	26
Wirkungsweise der Ventile Typ 5470	26
Medien	27
Elektrischer Anschluss	27

Ventilaufbau

- 3/2-Wege-Vorsteuerventil mit unterschiedlichen elektrischen Anschlussvarianten
- Ventilgehäuse mit Membran, Sitzdichtungen und A/B-Anschlussplatten
- Arbeitsanschlüsse 2 (B) / 4 (A) sowie Versorgungs- und Entlüftungsanschluss 1 (P) / 3 (R) wahlweise mit Innengewinde, Steckkupplungen oder angespitzten Schlauchnippeln
- Die Ventile können auf der modularen, pneumatischen Grundschiene Typ MP05 zu Ventilblöcken montiert werden.
- Beliebige Einbaulage, vorzugsweise mit Magnetsystem oben
- Handbetätigung für manuelles Betätigen des Ventils



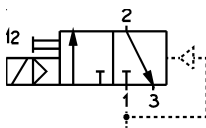
HINWEIS

Die Ventile arbeiten wartungsfrei, auch bei Trockenlauf.

MAN 1000010017 ML Version: H Status: RL (released | freigegeben) printed: 15.07.2010 deutsch

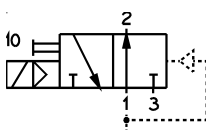
Wirkungsweise der Ventile Typ 5470

3/2-Wege-Ventil



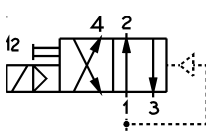
In Ruhestellung Druckanschluss 1 gesperrt, Ausgang 2 entlüftet

3/2-Wege-Ventil



In Ruhestellung Druckanschluss 1 mit Ausgang 2 verbunden

4/2-Wege-Ventil



In Ruhestellung Druckanschluss 1 mit Ausgang 2 verbunden, Ausgang 4 entlüftet



HINWEIS

Durch Verschließen eines Arbeitsanschlusses ist ein einfacher Umbau des 4/2-Wegeventils in ein 3/2-Wegeventil möglich:

Arbeitsanschluss 2 → Wirkungsweise C

Arbeitsanschluss 4 → Wirkungsweise D

Medien

- gefilterte Druckluft (Partikelgröße max. 10 µm), vorzugsweise ungeölt
- Betrieb mit geölter Luft ist möglich
- Dichtwerkstoff NBR
- zulässige Temperatur Medium max. + 50 ° C
Umgebung max. + 55 ° C
- Betriebsdruckbereich 2 - 8 bar



HINWEIS

Der Steuerdruck bei pneumatischer Ansteuerung ist abhängig vom Druck des Durchflussmediums; er darf maximal 8 bar betragen!



ACHTUNG!

Beachten Sie den zulässigen Druckbereich auf dem Typenschild!
Druckdifferenz zwischen Anschluss 1 und 3 \geq 2 bar
 Bei Temperaturen unter 0 °C ist der Betrieb auf getrocknete Luft beschränkt!

deutsch

Elektrischer Anschluss

Vorsteuerventil Typ 6106

- Entnehmen Sie Spannung, elektrische Leistung, Schutz- und Stromart dem Typenschild!
- Spannungstoleranz ± 10 %
- Sorgen Sie durch 10 µ-Filterung für eine lange Lebensdauer des Vorsteuerventils!
- Elektrischer Anschluss: Gerätesteckdose Typ 2506 an den Anschlusssteckerfahnen der Spule (Drehmoment zur Befestigung: 1 Nm)
- Schutzart IP65 (nur in Verbindung mit der Gerätesteckdose Typ 2506)
- Die Gerätesteckdose ist zur Wahl der Kabelganges um 180° versetzt montierbar.



HINWEIS

Die Spule erwärmt sich im Betrieb!



ACHTUNG!

Beachten Sie die Spannung, verwenden Sie bei Wechselspannung unbedingt die Gerätesteckdose Typ 2506 oder schalten Sie einen Gleichrichter vor!
 Achten Sie beim Verschrauben der Gerätesteckdose mit der Spule auf einwandfreien Sitz der Flachdichtung!

MAN 1000010017 ML Version: H Status: RL (released | freigegeben) printed: 15.07.2010 **deutsch**

MONTAGE INBETRIEBNAHME UND WARTUNG

deutsch

Allgemeine Hinweise	30
Aufbau des Mehrfachblocks mit der modularen, pneumatischen Grundschiene Typ MP05	30
Demontage der Module	31
Weitere Einsatzmöglichkeiten der Anschlussmodule, rechts	31
Befestigung des Ventilblocks	31
Befestigung von Einzelventilen	32
Maßnahmen vor Inbetriebnahme	33
Störungen	34

Allgemeine Hinweise

- Eingriffe dürfen nur durch Fachpersonal und mit geeignetem Werkzeug erfolgen.
- Schalten Sie vor Eingriffen in das System in jedem Fall die Spannung ab.
- Säubern Sie vor Montage des Ventils die Rohrleitungen.
- Schalten Sie gegebenenfalls zum Schutz vor Störungen einen Schmutzfänger vor.
- Verwenden Sie die Spule in keinem Fall als Hebel, wenn Sie die Anschlüsse einschrauben.
- Achten Sie auf Übereinstimmung der Betriebsbedingungen mit den Leistungsdaten des Gerätes.
- Vermeiden Sie Staudrücke in den Abluftkanälen durch großvolumige Schalldämpfer



ACHTUNG!

In Systemen, die unter Druck stehen, dürfen Leitungen oder Ventile nicht gelöst werden!

HANDBETÄTIGUNG

- Drehen Sie zur manuellen Betätigung des Ventils die Handbetätigung um 90° in Pfeilrichtung.

Aufbau des Mehrfachblocks mit der modularen, pneumatischen Grundschiene Typ MP05

Sie erhalten durch die Kombination von 2fach- und 3fach-Grundmodulen beliebig große Ventilblöcke.



HINWEIS

Beginnen Sie die Montage zweckmäßig mit dem linken Anschlussmodul.

- Kontrollieren Sie die Module auf vollständige Bestückung mit je 2 O-Ringen!
- Ölen oder fetten Sie die aufgezogenen O-Ringe vor dem Rasten leicht ein.
- Setzen Sie den unteren Haken des anzubauenden Moduls in die Nut des vorgehenden Moduls ein.
- Drücken Sie das anzurastende Modul leicht nach oben und rasten Sie den oberen Rasthaken ein.
- Legen Sie die 3 O-Ringe in die Aussparung auf der Rückseite des Ventils. Achten Sie dabei auf exakten Sitz der Dichtungen!



ACHTUNG!

Gequetschte O-Ringe und Flachdichtungen haben Undichtheit des Blocks zur Folge.

- Befestigen Sie die Ventile mit je 2 Schrauben auf dem Grundmodul (Anzugsmoment max. 0,5 Nm).
- Montieren Sie den kompletten Ventilblock auf der Wand oder Normschiene.
- Schließen Sie Versorgungs- und Arbeitsleitungen an.
- Stellen Sie die elektrischen Anschlüsse zu den Pilotventilen her; beachten Sie dabei die Werte auf dem Typenschild!

Demontage der Module

- Rasten Sie den oberen Rasthaken mittels Schraubendreher an der stirnseitigen Demontagenut aus.
- Nehmen Sie den Teilblock / das Modul seitlich ab.

Weitere Einsatzmöglichkeiten der Anschlussmodule - rechts -

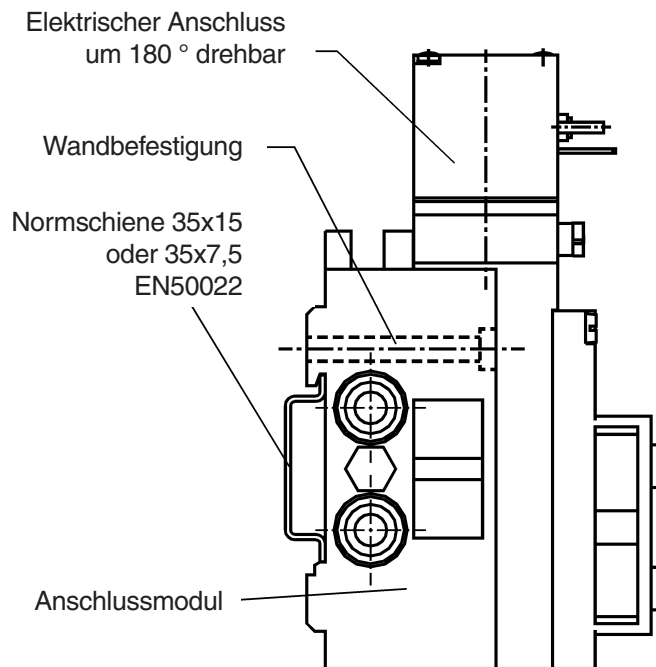
- Als **Teilermodule** bei besonderen Anwendungsfällen zum Aufbau von mehreren Betriebs-Druckstufen in einem Block
- Zusätzliche Einspeisung bei größeren Ventilblöcken



HINWEIS || Durchstoßen Sie bei Bedarf die Sollbruchstellen der Anschlüsse 1 und 3.

Befestigung des Ventilblocks

Normschiene



Montage

- Hängen Sie den Ventilblock mit der oberen Nut in die Normschiene ein.
- Rasten Sie die unteren Klemmstücke in die Normschiene ein.
- Ziehen Sie die Schrauben an den Klemmstücken fest.

Demontage

- Lösen Sie die Klemmschrauben (ca. 4 Umdrehungen).
- Entnehmen Sie den Block nach oben von der Normschiene.

Bild: Befestigung des Ventilblocks

Wandmontage

- Befestigen Sie den Ventilblock mit M4-Schrauben direkt an der Wand.

Befestigung von Einzelventilen

→ Befestigen Sie das Einzelventil mit M4-Schrauben direkt an der Wand.



ACHTUNG!

Verspannen Sie das Ventilgehäuse beim Einbau nicht!

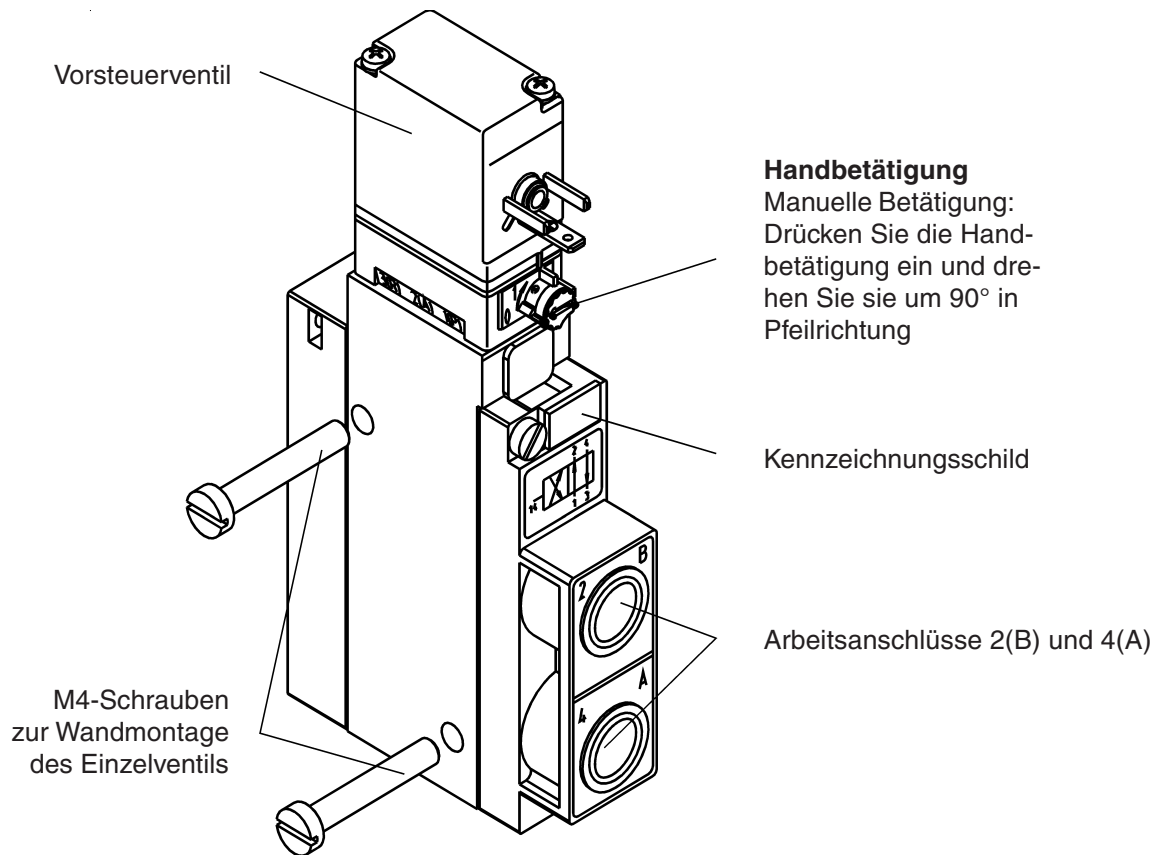


Bild: Befestigung des Einzelventils

Steckanschlüsse



HINWEIS

Für die Steckanschlüsse müssen die Schlauchleitungen folgende Anforderungen erfüllen:

- Mindesthärte von 40 Shore D (nach DIN 53505 bzw. ISO 868);
- Außendurchmesser entsprechend DIN 73378 (max. zul. Abweichung $\pm 0,1$ mm vom Nennmaß);
- Gratfrei, rechtwinklig abgeschnitten und am Außendurchmesser unbeschädigt;
- die Schlauchleitungen sind bis zum Anschlag in die Steckanschlüsse einzudrücken.

Demontage der Steckanschlüsse

→ Drücken Sie zum Lösen der Leitungen den Druckring ein und ziehen Sie die Schlauchleitung heraus.

Maßnahmen vor der Inbetriebnahme

- Überprüfen Sie Anschlüsse, Spannung und Betriebsdruck!
- Beachten Sie, dass max. Betriebsdaten (siehe Typenschild) nicht überschritten werden!
- Überprüfen Sie die vorschrittmäßige Belegung der Anschlüsse 1 und 3, diese dürfen auf keinen Fall vertauscht werden!
- Entriegeln Sie bei elektrischem Betrieb die Handbetätigung!

Störungen

Störung	mögliche Ursache	Behebung
Ventile schalten nicht:	keine oder nicht ausreichende Betriebsspannung; Handbetätigung nicht in neutraler Stellung; Druckversorgung nicht ausreichend oder nicht vorhanden.	Überprüfen Sie den elektrischen Anschluss. Stellen Sie die Betriebsspannung laut Typenschild sicher. Bringen Sie die Handbetätigung in Null-Stellung. Führen Sie die Druckversorgung möglichst großvolumig aus (auch bei vorgeschalteten Geräten wie Druckreglern, Wartungseinheiten, Absperrventilen usw.) Mindestbetriebsdruck > 2 bar
Ventile schalten verzögert oder blasen an den Entlüftungsanschlüssen ab:	Druckversorgung nicht ausreichend oder nicht vorhanden; Keine ausreichende Entlüftung der Abluftkanäle durch zu kleine oder verschmutzte Geräuschkämpfer (Rückdrücke); Verunreinigungen bzw. Fremdkörper im Vorsteuer- oder Hauptventil.	Führen Sie die Druckversorgung möglichst großvolumig aus (auch bei vorgeschalteten Geräten wie Druckreglern, Wartungseinheiten, Absperrventilen usw.) Mindestbetriebsdruck > 2 bar Verwenden Sie entsprechend groß dimensionierte Geräuschkämpfer bzw. Expansionsgefäße. Reinigen Sie verschmutzte Geräuschkämpfer. Beaufschlagen Sie die Abluftkanäle mit impulsartigem Druck, um die Verunreinigungen auszublasen. Bauen Sie ein neues Vorsteuer- bzw. Hauptventil ein, wenn diese Maßnahme keinen Erfolg bringt
undichte Ventilblöcke:	Fehlende oder gequetschte O-Ringe zwischen den Modulen; Fehlende oder falsch positionierte Flachdichtungen zwischen Ventil und Grundplatte.	Ermitteln Sie die Leckstelle oder fehlende Dichtungen. Setzen Sie fehlende Dichtungen ein oder erneuern Sie beschädigte Dichtungen.

deutsch

MAN 1000010017 ML Version: H Status: RL (released | freigegeben) printed: 15.07.2010

Notizen

MAN 1000010017 ML Version: H Status: RL (released | freigegeben) printed: 15.07.2010

deutsch

deutsch

MAN 1000010017 ML Version: H Status: RL (released | freigegeben) printed: 15.07.2010

Table des matières

Instructions de service

Blocs multiples et profils pneumatiques modulaires Type 5470 et Type MP05

REMARQUES GENERALES	33
Représentation	34
Consignes générales de sécurité	34
Clauses de garantie	35
DESCRIPTION TECHNIQUES	37
Construction de la vanne	38
Fonctionnement des vannes du type 5470	38
Fluides	39
Raccordement électrique	39
MONTAGE, MISE EN SERVICE ET ENTRETIEN	41
Remarque générales	42
Montage de blocs multiples avec les modules de base pneumatiques MP05	42
Démontage des modules	43
Autres possibilités d'application du module de raccordement - à droite -	43
Fixation du bloc de vannes	43
Fixation des vannes seules	44
Précautions à prendre avant la mise en service	45
Dérangements	46

**Voltage 12V or 24V
UL / UR valid with
class 2 power supply only**

français

MAN 1000010017 ML Version: H Status: RL (released | freigegeben) printed: 15.07.2010

MAN 1000010017 ML Version: H Status: RL (released | freigegeben) printed: 15.07.2010

REMARQUES GENERALES

Représentation	40
Consignes générales de sécurité	40
Clauses de garantie	41

français

Représentation

On utilise dans ces instructions de service les modes de représentation suivants:

→ marque une phase de travail que vous devez exécuter;



ATTENTION!

Caractérise des indications dont l'observation peut mettre en danger votre santé ou la fonctionnalité de l'appareil;



REMARQUE

Caractérise des indications supplémentaires, des conseils et des recommandations;

Consignes générales de sécurité



Observez les indications de ces instructions de service ainsi que les conditions d'utilisation et les caractéristiques admissibles selon la fiche technique du type 5470, afin que l'appareil fonctionne parfaitement et reste longtemps en état de fonctionnement:

- respectez lors du projet d'utilisation et de l'exploitation de l'appareil les règles générales reconnues de la technique;
- observez les dispositions en vigueur sur la prévention des accidents et la sécurité pour les appareils électriques, pendant l'exploitation, l'entretien et la réparation de l'appareil; déclenchez dans tous es cas la tension électrique avant toute intervention dans le système
- prenez les mesures appropriées afin d'exclure un actionnement involontaire ou un préjudice inadmissible;
- observer que les conduites et les vannes des systèmes se trouvant sous pression ne doivent pas être démontées;
- en cas d'inobservation de cette indication, toute responsabilité de notre part sera exclue, de même la garantie sur l'appareil et les accessoires sera supprimée.



REMARQUE

Des homologations telles que Ex, UL, UR, CSA, DVGW, etc. sont indiquées sur la plaquette signalétique ou sur une étiquette collante spéciale.

En cas de non concordance, s'adresser immédiatement à votre succursale Bürkert ou `notre service après ventre

Bürkert Steuer- und Regelungstechnik, Service-Abteilung

Chr.-Bürkert-Str. 13-17, D-76453 Ingelfingen

Tel.: (07940) 10-111

Fax: (07940) 10-448

eMail: info@de.buerkert.com

Clauses de garantie

Ce document ne constitue aucun assentiment de 4 garantie. Nous vous renvoyons à cet effet à nos conditions générales de vente et commerciales. La condition préalable au consentement de la garantie est l'utilisation conforme de l'appareil à l'usage auquel il est destiné, compte tenu de l'observation des conditions d'emploi spécifiées.

**ATTENTION!**

Les prestations de garantie ne s'étendent qu'à l'absence de défaut de la bloc multiples et Profils pneumatiques modulaires Type MP05. Nous déclinons, par contre, toute responsabilité pour des dégâts consécutifs de toute nature susceptibles de survenir par suite de défaillance ou défaut de fonctionnement de l'appareil.

MAN 1000010017 ML Version: H Status: RL (released | freigegeben) printed: 15.07.2010

DESCRIPTION TECHNIQUES

Construction de la vanne	44
Fonctionnement des vannes du type 5470	44
Fluides	45
Raccordement électrique	45

Construction de la vanne

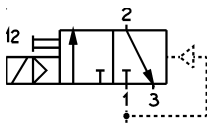
- Vanne pilote à 3/2 voies, avec différentes variantes de raccordement électrique.
- Corps de vanne avec membrane, joints du siège et plaque de raccordement A/B.
- Raccords de travail 2 (B) / 4 (A) ainsi que raccords d'alimentation et de purge d'air 1 (P) / 3 (R) au choix avec taraudage, raccords à fiche ou raccords biseautés pour tuyaux souples.
- Les vannes peuvent être montées au choix sur le profil pneumatique modulaire du type MP05 en bloc de vannes.
- Position de montage quelconque, de préférence avec système magnétique en haut.
- Actionnement manuel de la vanne.



REMARQUE || Les vannes travaillent sans exiger d'entretien, même en marche à sec.

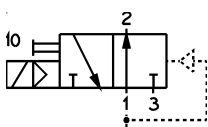
Fonctionnement des vannes du type 5470

Vanne à 3/2 voies:



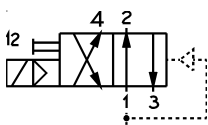
En position de repos, raccord de pression 1 bloqué, sortie 2 à l'air libre.

Vanne à 3/2 voies:



En position de repos, raccord de pression 1 relié à la sortie 2.

Vanne à 4/2 voies:



En position de repos, raccord de pression 1 relié à la sortie 2, sortie 4 à l'air libre.



REMARQUE || En fermant un raccord de travail, on peut transformer simplement la vanne à 4/2 voies en une vanne à 3/2 voies:
 raccord de travail 2 → mode de fonctionnement C
 raccord de travail 4 → mode de fonctionnement D

Fluides

- Air comprimé filtré (grandeur max. des particules 10 µm), de préférence sans huile.
- Le fonctionnement avec de l'air huilé est possible.
- Matière du joint: NBR
- Température admissible du fluide: max. + 50 ° C
- Température ambiante admissible: max. + 55 ° C
- Domaine de pression de service: 2 - 8 bars



REMARQUE || La pression de commande en pilotage pneumatique dépend de la pression du fluide traversant; elle doit se monter au maximum à 8 bars!



ATTENTION!

Observez le domaine de pression admissible sur la plaquette signalétique!
Différence de pression entre raccords 1 et 3 \geq 2 bars
Pour des températures inférieures à 0°C, le fonctionnement est limité à l'air sec.

Raccordement électrique

Vanne pilote type 6106:

- Lisez sur la plaquette signalétique la tension, la puissance électrique, le genre de protection et de courant!
- Tolérance de tension \pm 10%;
- Assurez par un filtrage à 10 µm une grande longévité de la vanne pilote!
- Raccordement électrique: prise d'appareil type 2506 sur les fiches de raccordement de la bobine (couple de serrage de la fixation: 1 Nm);
- Mode de protection IP 65 (seulement en relation avec la prise d'appareil type 2506);
- La prise d'appareil peut être montée inversée de 180° pour le choix du passage du câble.



REMARQUE || La bobine s'échauffe en fonctionnement!



ATTENTION!

Observez la tension; utilisez en cas de tension alternative absolument la prise d'appareil type 2506 ou placez un redresseur en amont!

MAN 1000010017 ML Version: H Status: RL (released | freigegeben) printed: 15.07.2010

MONTAGE, MISE EN SERVICE ET ENTRETIEN

Remarque générales	48
Montage de blocs multiples avec les modules de base pneumatiques MP05	48
Démontage des modules	49
Autres possibilités d'application du module de raccordement - à droite -	49
Fixation du bloc de vannes	49
Fixation des vannes seules	50
Précautions à prendre avant la mise en service	51
Dérangements	52

Remarque générales

- Des interventions ne doivent être effectuées que par un personnel qualifié équipé de l'outillage approprié!
- Déclencher dans tous les cas la tension avant toute intervention sur le système!
- Nettoyer les conduites avant le montage de la vanne!
- Monter éventuellement un filtre en amont pour prévenir des dérangements.
- N'utiliser en aucun cas la bobine comme levier lors du vissage des raccordements!
- Veiller à la concordance des conditions d'exploitation avec les caractéristiques de débit de l'appareil!
- Eviter les accumulations de pression dans les canaux d'échappement d'air en employant des silencieux de grand volume!



ATTENTION!

Ne pas démonter des conduites ou des vannes dans des systèmes se trouvant sous pression!

ACTIONNEMENT MANUEL:

- Pour l'actionnement manuel de la vanne, tourner l'actionnement manuel de 90° dans le sens de la flèche.

Montage de blocs multiples avec le profil modulaire pneumatique type MP05

On obtient en combinant des modules de base doubles ou triples des blocs de vannes de dimensions illimitées.



REMARQUE || Commencer de préférence le montage par le module de raccordement - à gauche - (figure 1)

- Contrôler si les modules sont équipés de 2 joints toriques chacun!
- Huiler ou graisser légèrement les joints toriques posés avant d'emboîter.
- Introduire le crochet inférieur du module à ajouter dans la rainure du module précédent.
- Presser le module à emboîter légèrement vers le haut et emboîter le crochet supérieur.



ATTENTION!

Les joint toriques écrasés ont pour conséquence des fuites dans le bloc!

- Introduire les 3 joints toriques dans l'évidement à l'arrière de la vanne. Veiller alors à la tenue exacte des joints!
- Fixer les vannes sur le module de base avec 2 vis pour chacune (couple de serrage max. 0,5 Nm).
- Monter le bloc de vannes complet sur la paroi ou le profil normalisé.
- Raccorder les conduites d'alimentation et de travail.
- Etablir les raccordements électriques aux vannes pilotes, en observant les valeurs sur la plaquette signalétique!

Démontage des modules

- Décrocher avec un tournevis le crochet d'emboîtement supérieur sur la rainure frontale de démontage
- Extraire latéralement le bloc partiel / le module

Autres possibilités d'application du module de raccordement - à droite -

- En tant que **module diviseur** pour des cas particuliers d'application, pour la réalisation de plusieurs étages de pression de service en un seul bloc:
- Alimentation supplémentaire en cas de grands blocs de vannes



REMARQUE || Briser si nécessaire les points de passage des raccordements 1 et 3.

Fixation du bloc de vannes

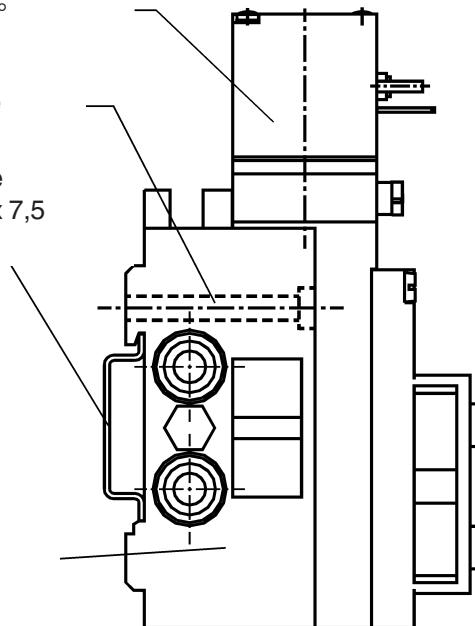
Profil normalisé

Raccordement électrique
tournant de 180°

Fixation murale

Profil normalisé
35 x 15 ou 35 x 7,5
EN 50022

Module de
raccordement



Montage

- Accrocher le bloc de vannes avec la rainure supérieure dans le profil normalisé.
- Emboîter la pièce de serrage inférieure dans le profil normalisé.
- Serrer les vis sur les pièce de serrage.

Démontage

- Dévisser les vis de serrage (env. 4 tours).
- Enlever le bloc du profil normalisé, vers le haut.

Figure 2: Fixation du bloc de vannes

Montage mural

- Fixer le bloc de vannes avec 4 vis M4 directement contre la paroi.

Fixation des vannes seules

→ Fixer la vanne seule avec les vis M4 directement contre la paroi.



ATTENTION!

Ne pas déformer le boîtier de vanne au montage!

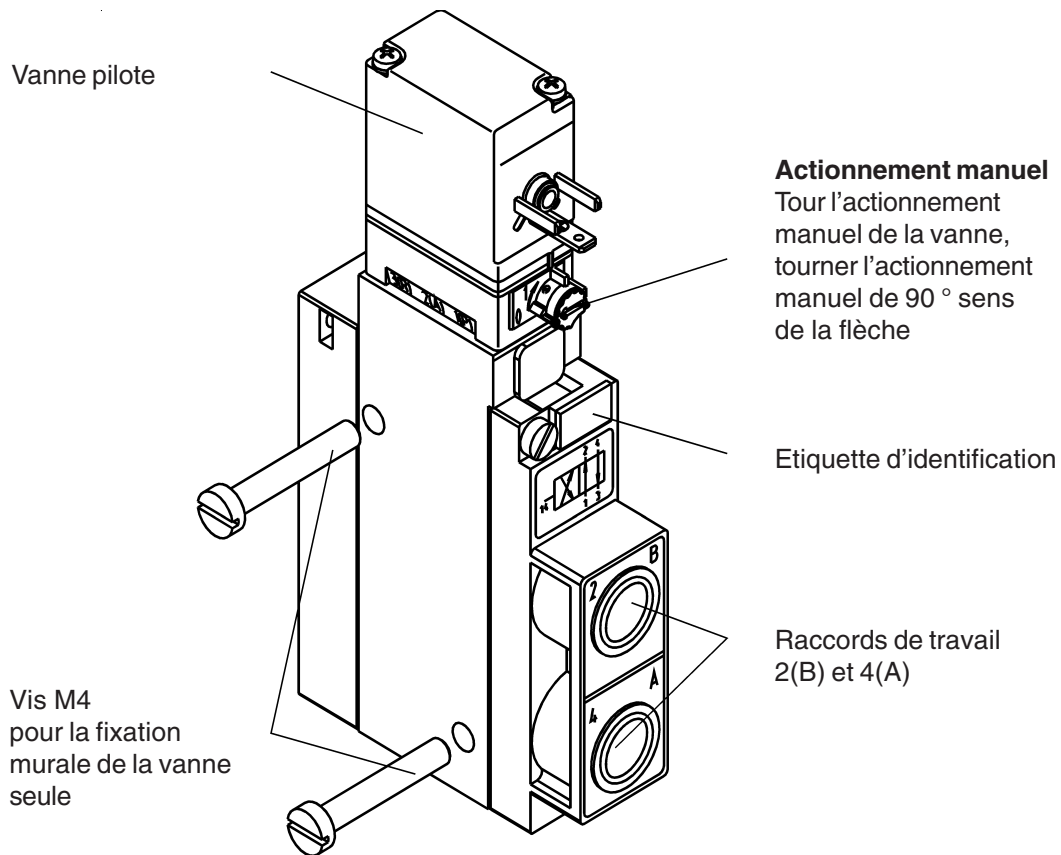


Figure 3: Fixation de vanne seule

Raccords à fiches

**REMARQUE**

Pour les raccords à fiches, les conduites souples doivent remplir les exigences suivantes:

- Dureté minimale de 40 Shore D (selon DIN 53505, resp. ISO 868)
- Diamètre extérieur selon DIN 73378 (écart max. adm. $\pm 0,1$ mm de la cote nominale)
- Exempt de bavures, coupé d'équerre et sans dommages sur le diamètre extérieur
- Les conduites souples doivent être enfoncées jusqu'à la butée dans les raccords à fiche

Démontage des raccords à fiches

→ Presser la bague de pression pour détacher les conduites et retirer les conduites souples.

Précautions à prendre avant la mise en service

- Vérifier les raccordements, la tension et la pression de service!
- Veiller à ce que les données de service maximales (voir plaquette signalétique) ne soient pas dépassées!
- Vérifier le raccordement conforme aux prescriptions des raccords 1 et 3, qui ne doivent en aucun cas être permutés!
- En cas de fonctionnement électrique, déverrouiller l'actionnement manuel!

Dérangements

Dérangement	Cause possible	Remède
Les vannes ne commutent pas:	<p>Tension de service absente ou insuffisante;</p> <p>Actionnement manuel pas en position neutre;</p> <p>Pression d'alimentation absente ou insuffisante.</p>	<p>Vérifier le raccordement électrique. Assurer la tension de service selon la plaquette signalétique.</p> <p>Placer l'actionnement manuel en position neutre.</p> <p>Exécuter l'alimentation en pression avec le plus grand volume possible (aussi avec les appareils en amont tels que régulateurs de pression, unités de conditionnement, vannes d'arrêt, etc.) pression de service \geq 2 bar</p>
Les vannes commutent à retardement ou sifflent aux raccords d'échappement d'air:	<p>Pression d'alimentation absente ou insuffisante.</p> <p>Aération des canaux d'échappement d'air insuffisantes à cause de silencieux trop petits ou sales (contre-pressions).</p> <p>Saletés ou corps étrangers dans la vanne de pilotage ou principale.</p>	<p>Exécuter l'alimentation en pression avec le plus grand volume possible (aussi avec les appareils en amont tels que régulateurs de pression, unités de conditionnement, vannes d'arrêt, etc.) pression de service \geq 2 bar</p> <p>Utiliser des silencieux resp. des vases d'expansion dimensionnés assez grands. Nettoyer les silencieux sales.</p> <p>Appliquer des impulsions de pression sur les canaux d'échappement d'air pour expulser les saletés. Monter une nouvelle vanne de pilotage ou principale si cette mesure n'a pas de succès.</p>
Blocs de vannes pas étanches:	<p>Joints toriques absents ou écrasés entre les modules;</p> <p>Joints plats absents ou mal positionnés entre vanne et plaque de base.</p>	<p>Localiser la fuite ou les joints manquants.</p> <p>Poser les joints manquants ou remplacer les joints endommagés.</p>

Contact addresses / Kontaktadressen

Germany / Deutschland / Allemange

Bürkert Fluid Control System
Sales Centre
Chr.-Bürkert-Str. 13-17
D-74653 Ingelfingen
Tel. + 49 (0) 7940 - 10 91 111
Fax + 49 (0) 7940 - 10 91 448
E-mail: info@de.buerkert.com

International

Contact addresses can be found on the internet at:

Die Kontaktadressen finden Sie im Internet unter:

Les adresses se trouvent sur internet sous :

www.burkert.com → Bürkert → Company → Locations

MAN 1000010017 ML Version: H Status: RL (released | freigegeben) printed: 15.07.2010

**The smart choice
of Fluid Control Systems**
www.buerkert.com

bürkert
Fluid Control Systems