

FINE CONTROLS (UK) LTD



Fine Controls have been supplying process controls & instrumentation equipment since 1994, & now serves an ever expanding customer base, both in the UK & globally.

We offer a full range of valve & instrumentation products & services, with our product range representing leading technologies & brands:

Flow: Flow Meters & Transmitters, Flow Switches, Flow Control Valves & Batch Control Systems

Temperature: Temperature Probes & Thermowells, Temperature transmitters, Temperature Regulators & Temperature Displays

Level: Level Transmitters & Switches

Pressure: Pressure Gauges & Transmitters, Precision & High Pressure Regulators & I-P Converters, Volume boosters.

Precision Pneumatics: Pressure Regulators, I-P Converters, Volume Boosters, Vacuum Regulators

Valves: Solenoid & Pneumatic Valves, Control Valves & Positioners, Actuated Ball, Globe or Diaphragm Valves & Isolation Valves

Services: Repair, Calibration, Panel Build, System Design & Commissioning

 A rotork® Brand
FAIRCHILD



bürkert



SIEMENS



alcon
SOLENOID VALVES

A rotork® Brand



MIDLAND-ACS
A rotork® Brand



Honeywell



 **Bourdon**
Baumer Group



SOLDO
CONTROLS

A rotork® Brand



Fine Controls (UK) LTD, Bassendale Road, Croft Business Park,
Bromborough, Wirral, CH62 3QL UK
Tel: 0151 343 9966
Email: sales@finecontrols.com



2/2-way Solenoid Valve with servo-diaphragm and EEx approval

- Pivoted armature pilot control with lockable manual override
- Separating diaphragm isolates the solenoid from the operating fluid
- Circuit function can be changed
- Adjustable opening and closing times
- AC/DC current

The Type 5282 EEx valve is a servo-assisted flow solenoid valve with a servo-diaphragm and media separation, for universal use with liquid and gaseous media in accordance with the material resistance.

The 3-way pivoted armature pilot control has a manual override as standard. The opening and closing times are continuously adjustable.

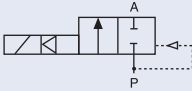
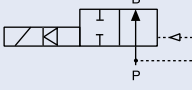
Technical data	
Orifice	DN 13 - 65 mm
Body material	Brass, stainless steel 1.4581
Seal materials	NBR, FKM
Media with NBR with FKM	Neutral media, e.g., compressed air, water, hydraulic oil hot air, oxygen, per-solutions, hot oils
Media temperature with NBR with FKM	0 to +80 °C 0 to +90 °C
Ambient temperature	Max. +55 °C
Voltage tolerance	±10%
Duty cycle	100% continuous rating
Electrical connection	With moulded-in cable 3 m long, 3 x 0.75 mm ² With terminal box (without safety fuse)
Protection class	IP 65
Type of protection	II 2G EEx ed IICT5 PTB03 ATEX 1030X e increased safety d flameproof enclosure
Installation	As required, preferably with actuator in upright position

Power consumption	
Inrush [W]	Hold [W]
40	3



Ordering chart for valves (other versions on request)

Version with manual override, FKM seal and terminal box (without safety fuse)

Circuit function	Port connection	Orifice [mm]	Kv value water [m³/h]	Pressure range [bar]	Item no. per Voltage [V/Hz] FKM seal	
					024/ UC	230/ UC
A 2/2-way, normally closed (NC)  or B 2/2-way, normally open (NO) 	Brass body					
	G 1/2	13	4.0	0.5 - 10	138 192	138 194
	G 1/2	20	5.0	0.5 - 10	–	–
	G 3/4	20	5.0	0.5 - 10	138 195	138 197
	Stainless steel					
	G 1/2	13	4.0	0.5 - 10	–	–
	G 1/2	20	5.0	0.5 - 10	138 228	138 230
	G 3/4	20	5.0	0.5 - 10	138 231	138 233
	Brass body					
	G 1	25	10.0	0.5 - 10	138 198	138 200
G 1 1/4	32	20.0	0.5 - 10	138 201	138 203	
G 1 1/2	40	20.0	0.5 - 10	138 204	138 206	
G 2	50	40.0	0.5 - 10	138 207	138 209	
Stainless steel						
G 1	25	10.0	0.5 - 10	138 234	138 236	
G 1 1/4	32	20.0	0.5 - 10	138 237	138 239	
G 1 1/2	40	20.0	0.5 - 10	138 240	138 242	
G 2	50	40.0	0.5 - 10	138 243	138 245	

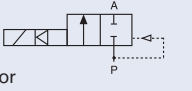
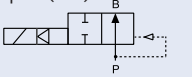
Delivered as circuit function A, change to the circuit function B by rotating the pilot control through 180°.

A pressure difference of 0.5 bar is necessary to fully open the orifice.

The switching times can be extended by turning the restrictor screw (in the body cover) to the right.

Ordering chart for valves (other versions on request)

Version with manual override, NBR seal and moulded-in cable (3 m)

Circuit function	Port connection	Orifice [mm]	Kv value water [m³/h]	Pressure range [bar]	Item no. per Voltage [V/Hz] NBR seal	
					024/ UC	230/ UC
A 2/2-way, normally closed (NC)  or B 2/2-way, normally open (NO) 	G 1/2	13	4.0	0.5 - 10	138 171	138 173
	G 3/4	20	5.0	0.5 - 10	138 174	138 176
	G 1	25	10.0	0.5 - 10	138 177	138 179
	G 1 1/4	32	20.0	0.5 - 10	138 180	138 182
	G 1 1/2	40	20.0	0.5 - 10	138 183	138 185
	G 2	50	40.0	0.5 - 10	138 186	138 188
	G 2 1/2	65	40.0	0.5 - 10	138 189	138 191

Delivered as circuit function A, change to the circuit function B by rotating the pilot control through 180°.

A pressure difference of 0.5 bar is necessary to fully open the orifice.

The switching times can be extended by turning the restrictor screw (in the body cover) to the right.

Ordering chart for accessories

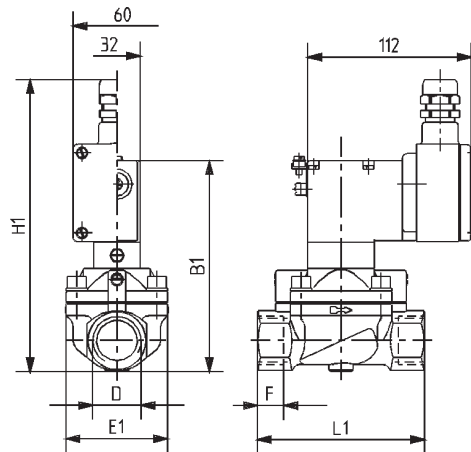
Safety fuse for terminal box

Voltage [V]	Max. current [A]	Item no.
24	2	153 740
110	0.5	153 735
230	0.315	153 733

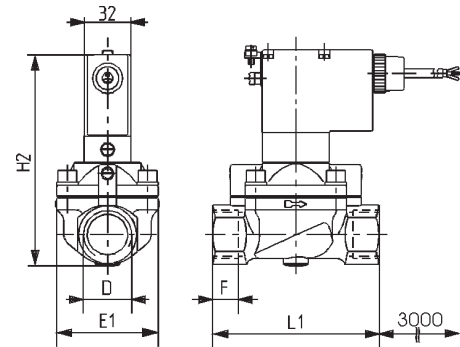


Dimensions [mm]

Version with terminal box



Version with moulded-in cable



DN	D	B1	E1	F	L1	H1	H2
13	G 1/2	123.0	40	14	65	180.0	123.0
20	G 1/2	131.0	60	14	100	188.0	131.0
20	G 3/4	131.0	60	16	100	188.0	131.0
25	G 1	141.0	70	18	115	198.0	141.0
32	G 1 1/4	147.0	85	20	126	204.0	147.0
40	G 1 1/2	156.0	85	22	126	213.0	156.0
50	G 2	177.5	115	24	164	234.5	177.5
65	G 2 1/2	185.0	115	27	180	242.0	185.0

To find your nearest Bürkert facility, click on the orange box →

www.burkert.com

In case of special application conditions,
please consult for advice.

Subject to alteration.
© Christian Bürkert GmbH & Co. KG

0812/1_EU-en_00895117