

# FINE CONTROLS (UK) LTD



Fine Controls have been supplying process controls & instrumentation equipment since 1994, & now serves an ever expanding customer base, both in the UK & globally.

We offer a full range of valve & instrumentation products & services, with our product range representing leading technologies & brands:

**Flow:** Flow Meters & Transmitters, Flow Switches, Flow Control Valves & Batch Control Systems

**Temperature:** Temperature Probes & Thermowells, Temperature transmitters, Temperature Regulators & Temperature Displays

**Level:** Level Transmitters & Switches

**Pressure:** Pressure Gauges & Transmitters, Precision & High Pressure Regulators & I-P Converters, Volume boosters.

**Precision Pneumatics:** Pressure Regulators, I-P Converters, Volume Boosters, Vacuum Regulators

**Valves:** Solenoid & Pneumatic Valves, Control Valves & Positioners, Actuated Ball, Globe or Diaphragm Valves & Isolation Valves

**Services:** Repair, Calibration, Panel Build, System Design & Commissioning

A rotork® Brand  
**FAIRCHILD**



**bürkert**



**SIEMENS**



**alcon**  
SOLENOID VALVES

A rotork® Brand



**MIDLAND-ACS**  
A rotork® Brand



**Honeywell**



**Bourdon**  
Baumer Group



**SOLDO**  
CONTROLS

A rotork® Brand



Fine Controls (UK) LTD, Bassendale Road, Croft Business Park,  
Bromborough, Wirral, CH62 3QL UK  
Tel: 0151 343 9966  
Email: sales@finecontrols.com

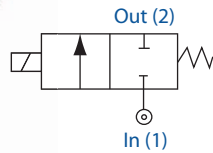
**GB Series**  
**2/2 Normally Closed**



- Response time up to ½" 15-25ms
- Response time up to 1" 20-40ms
- Response time up to 2" 60-120ms

**Electrical Characteristics**

Coil Voltage DC (=):	12v, 24v, 110v
Coil Voltage AC 50Hz (~):	24v, 110v, 120v, 230v
Coil Voltage AC 60Hz (~):	24v, 110v, 120v, 220v
Voltage tolerance:	+10% or -10%
Duty Cycle:	100% ED
Protection Class (Std):	IP65 (BS EN 60529) (plug supplied as standard)
Electrical Connection (Std):	PG9 Din Connector DIN 43650/ISO 4400 (EN 175301-803) Form 'A'
Coil Insulation:	Class H (BS EN 60085) 180°C (E5 type)
Power Rating:	14.5 watts, 25VA, 34VA



**Features**

Pipe Size	Kv	OPD (mBar) AC Voltages	P.Max (Bar)	Orifice mm	Weight lbs	Desc
¼"	3.6	0 - 140	1	12.70	0.50	GB2
¾"	5	0 - 140	1	12.70	0.50	GB3
½"	5.4	0 - 140	1	12.70	0.50	GB4
¾"	12.9	0 - 100	1	19.00	0.60	GB6
1"	13.6	0 - 100	1	19.00	0.7	GB7
1¼"	33	0 - 50	1	40.00	1.5	GB8
1½"	33	0 - 50	1	40.00	1.5	GB9
2"	33	0 - 50	1	40.00	1.5	GB10

Pipe Size	Kv	OPD (mBar) DC Voltages	P.Max (Bar)	Orifice mm	Weight lbs	Desc
¼"	3.6	0 - 50	1	12.70	0.50	DCGB2
¾"	5	0 - 50	1	12.70	0.50	DCGB3
½"	5.4	0 - 50	1	12.70	0.50	DCGB4
¾"	12.9	0 - 50	1	19.00	0.60	DCGB6
1"	13.6	0 - 50	1	19.00	0.7	DCGB7
1¼"	33	0 - 50	1	40.00	1.5	DCGB8
1½"	33	0 - 50	1	40.00	1.5	DCGB9
2"	33	0 - 50	1	40.00	1.5	DCGB10

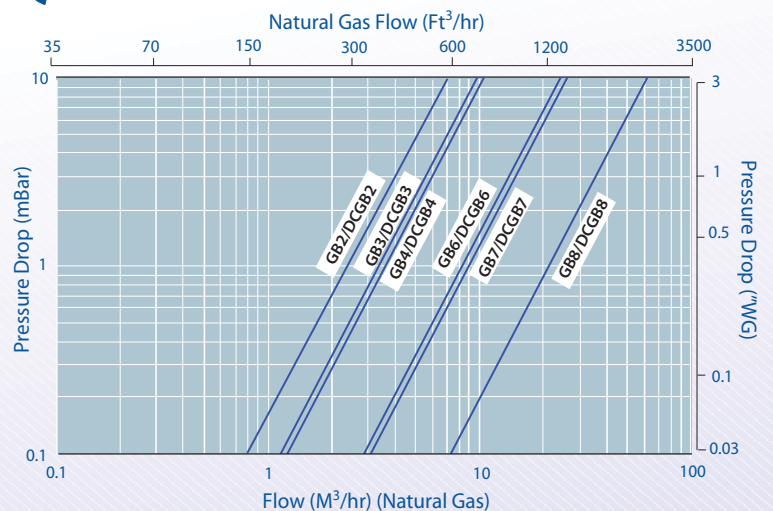
**Specifications**

Function:	Normally Closed, Energise to open
Ambient Temperature:	-0°C to +60°C
Body Material (Std):	Aluminium
Flange Tube:	Stainless Steel 303
Plunger and Top Stop:	Stainless Steel 430FR
Springs:	Stainless Steel 302
Seal Material (Std):	Viton
Connection Type (Std):	BS21
Shading Coil:	Copper

- Approved for mains gas safety shut off
- Suitable for automatic burners
- Suitable for fire protection systems
- Ideal for low pressure Natural gas
- Approved to **EN161**
- Compliant with Gas Appliance directive
- Fully ported orifices for high flow
- Zero pressure rated
- Optional pressure test points

**Flow Data**

Kv = Flow rate measured with differential pressure at 2.5mbar



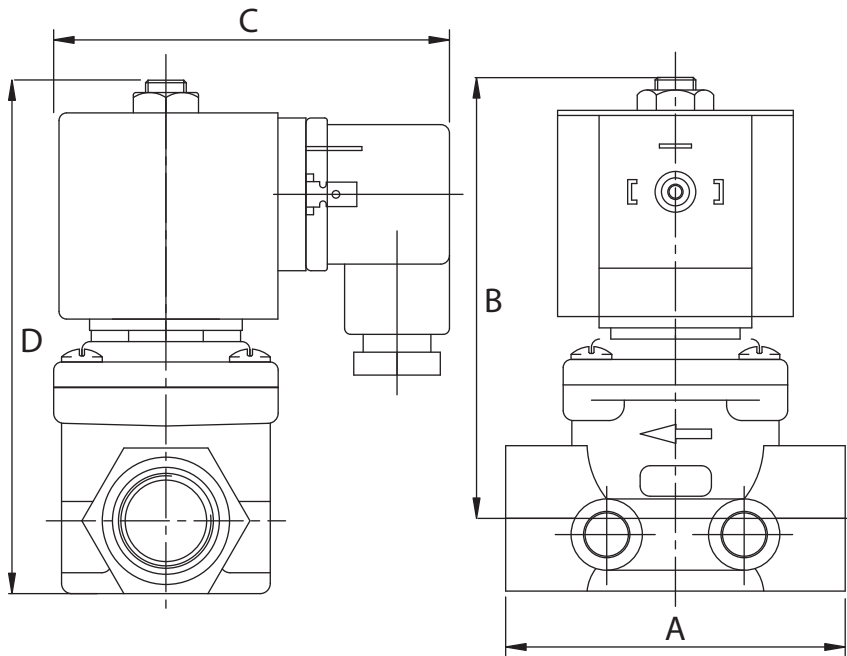
**How to use the Flow Chart**

1. Select the required flow.
2. Note the corresponding orifices/model and pressure drop.
3. Using orifices/model, (refer to the Features panel) for technical information

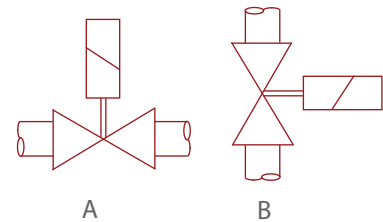


**ITT**

**GB Series**  
**2/2 Normally Closed**



**Mounting**



Solenoid cover and reset assembly may be rotated to any angle.

**Dimensions**

Size	A	B	C	D
1/4"	57	87	56	101
3/8"	67	87	56	101
1/2"	67	87	56	101
3/4"	86	90	56	107
1"	106	93	56	115
1" - 1 1/4"	137	157	120	196
1" - 1 1/2"	137	157	120	196
2"	137	157	120	196

Dimensions given in mm

**Note:**

- PED Compliant
- Consult factory for pressure rating
- Panic buttons & electro thermal links available for controlling valve

**Options**

Solenoid Enclosure		
Protection Class	Electrical Entry	Ambient
EExd T6 (IP67)	M20 X 1.5 Female	-50°C to +40°C
EExd T4 (IP67)	M20 X 1.5 Female	-50°C to +70°C
Exm T5 (IP65)	M16 X 1.5 Male FLYING LEAD	-20°C to +40°C

Seal Material	Media Temperature Range
EPDM	-50°C to +120°C
Viton	-20°C to +150°C

See corrosion reference guide and sealing solutions for material compatibility

See solenoid enclosures for specific details

When fitted in conjunction with the LKGMS this provides an automatic proving system for gas installations. The control panel is connected to the valve, a proving cycle is then manually initiated from the control panel. The unit can be interlinked with extractor fans, it also features an integral switch for timed shutdown, key switch and emergency gas shut-off switch for security and safety.



LKGMS Gas proving system