

FINE CONTROLS (UK) LTD



Fine Controls have been supplying process controls & instrumentation equipment since 1994, & now serves an ever expanding customer base, both in the UK & globally.

We offer a full range of valve & instrumentation products & services, with our product range representing leading technologies & brands:

Flow: Flow Meters & Transmitters, Flow Switches, Flow Control Valves & Batch Control Systems

Temperature: Temperature Probes & Thermowells, Temperature transmitters, Temperature Regulators & Temperature Displays

Level: Level Transmitters & Switches

Pressure: Pressure Gauges & Transmitters, Precision & High Pressure Regulators & I-P Converters, Volume boosters.

Precision Pneumatics: Pressure Regulators, I-P Converters, Volume Boosters, Vacuum Regulators

Valves: Solenoid & Pneumatic Valves, Control Valves & Positioners, Actuated Ball, Globe or Diaphragm Valves & Isolation Valves

Services: Repair, Calibration, Panel Build, System Design & Commissioning

A rotork® Brand
FAIRCHILD



bürkert



SIEMENS



alcon
SOLENOID VALVES

A rotork® Brand



MIDLAND-ACS
A rotork® Brand



Honeywell



Bourdon
Baumer Group



SOLDO
CONTROLS

A rotork® Brand



Fine Controls (UK) LTD, Bassendale Road, Croft Business Park,
Bromborough, Wirral, CH62 3QL UK
Tel: 0151 343 9966
Email: sales@finecontrols.com

PROCESS SIGNAL ISOLATORS

SEM1200 LOOP SPLITTER

- Two (4 to 20) mA Outputs
- Galvanic Isolation 500 V DC Flash Tested 1 KV
- High Accuracy 0.05%
- 12.5 mm Wide



INTRODUCTION

The SEM 1200 isolator is a dual output isolator, providing two separate isolated (4 to 20) mA current signals from a primary loop. The output loops must be powered externally. This isolator requires no user adjustment during commissioning, apart from an initial test, to ensure it operates correctly over its full working range. Minor adjustments can be made to the calibration of the device by means of the two front panel accessible calibration potentiometers. Incorrect connection in the loop will not damage the device as long as the specified maximum currents/voltages are not exceeded.

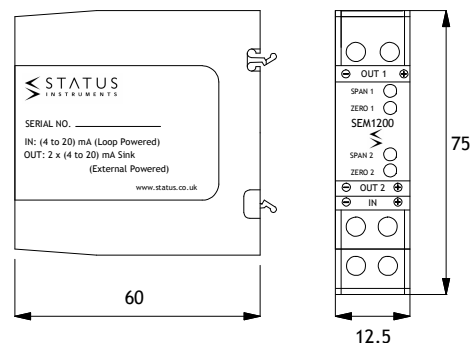
SPECIFICATIONS @ 20 °C

INPUT	TYPE	Current input 2 wire Loop powered
	RANGE	(4 to 20) mA (30 mA MAX)
	PROTECTION	Reverse connection
	VOLTAGE DROP	5.0 V Maximum
OUTPUT 1 & OUTPUT 2	TYPE	2 Wire current sink (4 to 20) mA
	LOOP VOLTAGE	(5 to 32) V d.c. (reverse protected) *
	Loop volt drop = 5 V	Load = 900 ohm @ Vs = 24 V Load = 1200 ohm @ Vs 30 V
Loop must be > 250 R for ambients > 50 °C		
Quoted specification at 15 Volt		
GENERAL SPECIFICATION		
V OUT <15 V		
ISOLATION		500 V DC (flash tested @ 1 kV) between each port (Isolation method, opto coupler / transformer)
ENVIRONMENT		BS EN61010-1 POLLUTION DEGREE 2; INSTALLATION CAT II; CLASS I
AMBIENT		(0 to 70) °C ; (10-95) % RH non condensing
LINEARITY		0.05 %
STABILITY		0.01 % / °C
RESPONSE TIME		Less than 100 mS to reach 70 % of final value.
EMC Tested to		BS EN 61326
ADJUSTMENT		Front Entry Fine Zero and Span Adjustment for each channel

MECHANICAL DETAILS

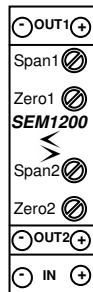
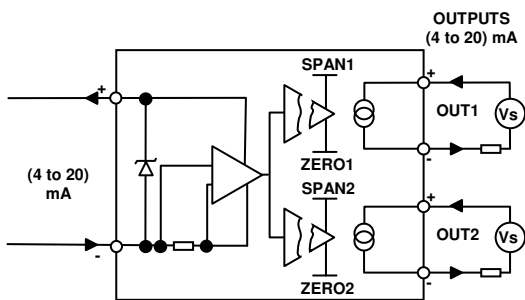
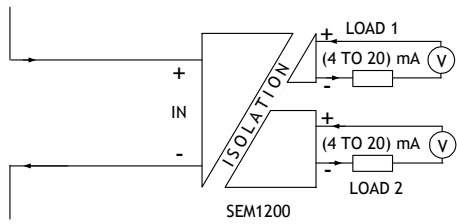
CONNECTION	Captive clamp screws
CABLE SIZE	Maximum 4 mm sq solid / 2.5 mm sq stranded
CASE MATERIAL	Grey Polyamide
FLAMMABILITY	To UL94-VO VDE 0304 Part 3, Level IIIA
DIMENSIONS	Case C: (60 x 75 x 12.5) mm (67.5 above rail)
MOUNTING	Snap on "top hat" rail (DIN EN 50022-35)

(All dimensions in mm)



PROCESS SIGNAL ISOLATORS

SCHEMATIC



ORDER CODE: SEM1200