

FINE CONTROLS (UK) LTD



Fine Controls have been supplying process controls & instrumentation equipment since 1994, & now serves an ever expanding customer base, both in the UK & globally.

We offer a full range of valve & instrumentation products & services, with our product range representing leading technologies & brands:

Flow: Flow Meters & Transmitters, Flow Switches, Flow Control Valves & Batch Control Systems

Temperature: Temperature Probes & Thermowells, Temperature transmitters, Temperature Regulators & Temperature Displays

Level: Level Transmitters & Switches

Pressure: Pressure Gauges & Transmitters, Precision & High Pressure Regulators & I-P Converters, Volume boosters.

Precision Pneumatics: Pressure Regulators, I-P Converters, Volume Boosters, Vacuum Regulators

Valves: Solenoid & Pneumatic Valves, Control Valves & Positioners, Actuated Ball, Globe or Diaphragm Valves & Isolation Valves

Services: Repair, Calibration, Panel Build, System Design & Commissioning

 A rotork® Brand
FAIRCHILD



bürkert



SIEMENS



alcon
SOLENOID VALVES

A rotork® Brand



MIDLAND-ACS
A rotork® Brand



Honeywell



 **Bourdon**
Baumer Group



SOLDO
CONTROLS

A rotork® Brand



Fine Controls (UK) LTD, Bassendale Road, Croft Business Park,
Bromborough, Wirral, CH62 3QL UK
Tel: 0151 343 9966
Email: sales@finecontrols.com

4500 SERIES ANCILLARY VALVES QUICK EXHAUST & SHUTTLE VALVES



- Specifically designed for Severe Offshore Environments
 - 5 sizes of quick exhaust valve available
- Ambient Temperature Range -20°C to +70°C
(Low temperature version -50°C)
- 316 Stainless Steel construction

General Description

Quick Exhaust Valves - 316 Stainless Steel construction available in 5 sizes.

Shuttle Valves - 316 Stainless Steel for three way "OR" function

Cv (Kv)

Quick Exhaust Valve (supply to outlet)

- 1/4" - 1.3 Cv (20 Kv)
- 3/8" - 1.8 Cv (28 Kv)
- 1/2" - 3.8 Cv (59 Kv)
- 3/4" - 4.5 Cv (70 Kv)
- 1" - 7.8 Cv (120 Kv)

Quick Exhaust Valve (outlet to exhaust)

- 1/4" - 2.8Cv (43 Kv)
- 3/8" - 3.8 Cv (59 Kv)
- 1/2" - 5.5 Cv (85 Kv)
- 3/4" - 6.5 Cv (100Kv)
- 1" - 11.0 Cv (170 Kv)

Shuttle Valve

- 1/4" - 1.36 Cv (21 Kv)

Working Pressure

- 12 bar (174 psi)

Maximum Flow

- 6 bar (87 psi), 1 bar (14.5 psi) differential

Quick Exhaust Valve (supply to outlet)

- 1/4" - 1290 L/Min (46 SCFM)
- 3/8" - 1810 L/Min (64 SCFM)
- 1/2" - 3810 L/Min (135 SCFM)
- 3/4" - 4520 L/Min (160 SCFM)
- 1" - 7700 L/ Min (274 SCFM)

Quick Exhaust Valve (outlet to exhaust)

- 1/4" - 2780 L/Min (98 SCFM)
- 3/8" - 3810 L/Min (135 SCFM)
- 1/2" - 5490 L/Min (194 SCFM)
- 3/4" - 6460 L/Min (228 SCFM)
- 1" - 11000 L/Min (388 SCFM)

Shuttle Valve

- 1/4" - 1350 L/Min (45 SCFM)

4500 SERIES ANCILLARY VALVES QUICK EXHAUST & SHUTTLE VALVES

Operating Medium

- *Gases* - Filtered lubricated or non lubricated air, inert gas, sweet (natural) gases. Sour gas option available.
- *Liquids* - Low pressure hydraulic, mineral oil or water.

Note:

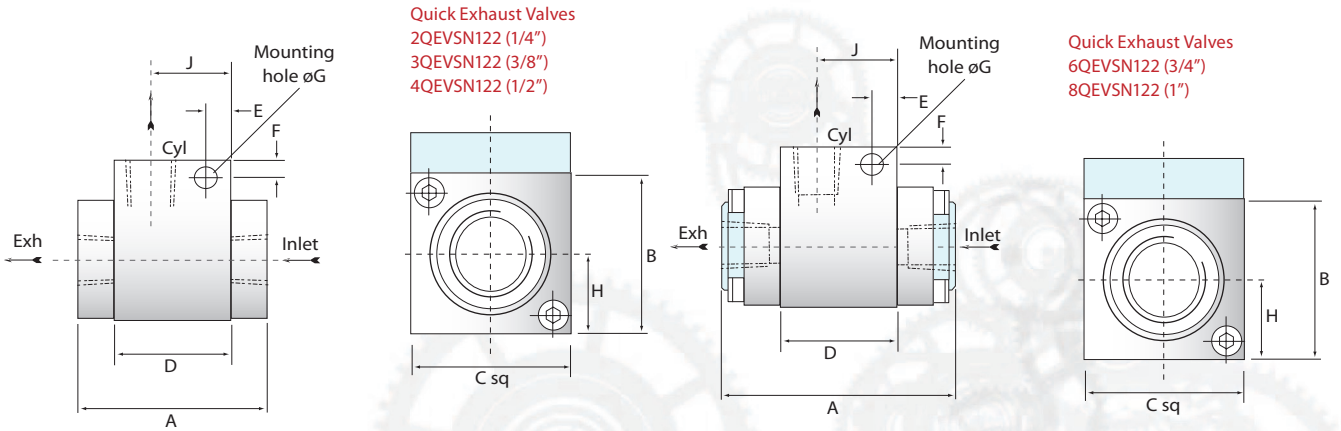
- All dimensions given in mm

Construction Materials

- Body: 316 Stainless Steel
- Internals: 316 Stainless Steel
- Spring: 316 Stainless Steel
- Seals: Nitrile

Working Temperature Range

- -20°C to +70°C (-4°F to +158°F)
- *Low temperature version*
-50°C (-58°F) (optional)



THREAD	A	B	C	D	E	F	G	H	J
1/4" NPT	52	38	32	32	-	-	-	16	22
3/8" NPT	60	42	35	35	-	-	-	17.5	23
1/2" NPT	70	55	45	45	10	6.5	8.5	22.5	31
3/4" NPT	102	70	54	54	10	12	8.5	27	35
1" NPT	114	99	74	74	19	12	11	37	52

