

FINE CONTROLS (UK) LTD



Fine Controls have been supplying process controls & instrumentation equipment since 1994, & now serves an ever expanding customer base, both in the UK & globally.

We offer a full range of valve & instrumentation products & services, with our product range representing leading technologies & brands:

Flow: Flow Meters & Transmitters, Flow Switches, Flow Control Valves & Batch Control Systems

Temperature: Temperature Probes & Thermowells, Temperature transmitters, Temperature Regulators & Temperature Displays

Level: Level Transmitters & Switches

Pressure: Pressure Gauges & Transmitters, Precision & High Pressure Regulators & I-P Converters, Volume boosters.

Precision Pneumatics: Pressure Regulators, I-P Converters, Volume Boosters, Vacuum Regulators

Valves: Solenoid & Pneumatic Valves, Control Valves & Positioners, Actuated Ball, Globe or Diaphragm Valves & Isolation Valves

Services: Repair, Calibration, Panel Build, System Design & Commissioning

A rotork® Brand
FAIRCHILD



bürkert



SIEMENS



alcon
SOLENOID VALVES

A rotork® Brand



MIDLAND-ACS
A rotork® Brand



Honeywell



Bourdon
Baumer Group



SOLDO
CONTROLS

A rotork® Brand



Fine Controls (UK) LTD, Bassendale Road, Croft Business Park,
Bromborough, Wirral, CH62 3QL UK
Tel: 0151 343 9966
Email: sales@finecontrols.com



Features

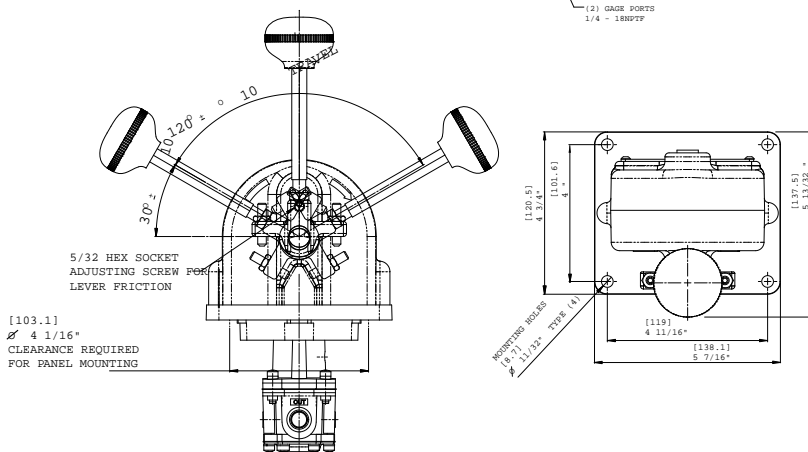
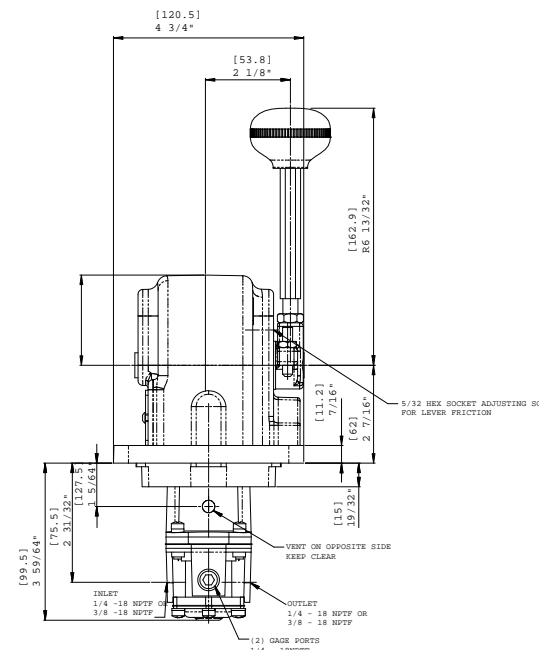
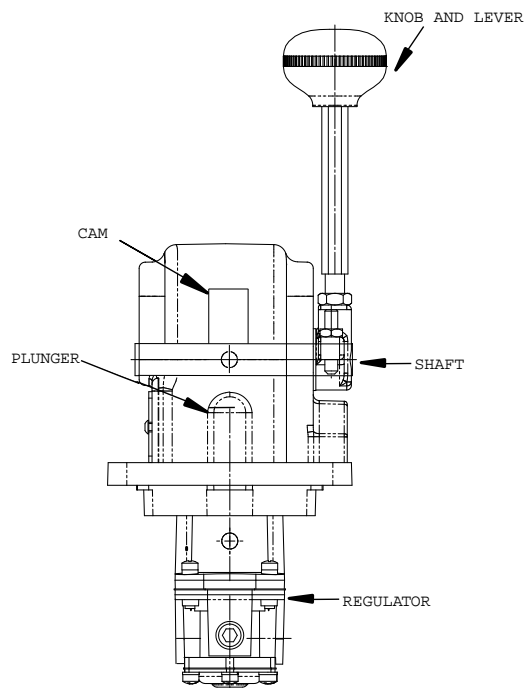
The Model 3400 Pneumatic Lever Operated Regulator is the combination of a Model 1000 High Flow Pressure Regulator and a hand held operated lever mechanism with 120 degree maximum travel.

- Sensitive to 1/2" Water Column which permits use in precision applications.
- Balanced supply valve minimizes the effect of supply pressure variation.
- Aspirator Tube minimizes downstream pressure droop under flow conditions.
- Soft supply and Exhaust Valves / Seats minimize air consumption.
- Separate Control Chamber isolates the diaphragm from the main flow, eliminating hunting and buzzing.
- Unit construction permits servicing without removal from line.
- Compact size maximizes economy in installations where space is limited.
- No-Bleed design minimizes consumption of air or inert gas.

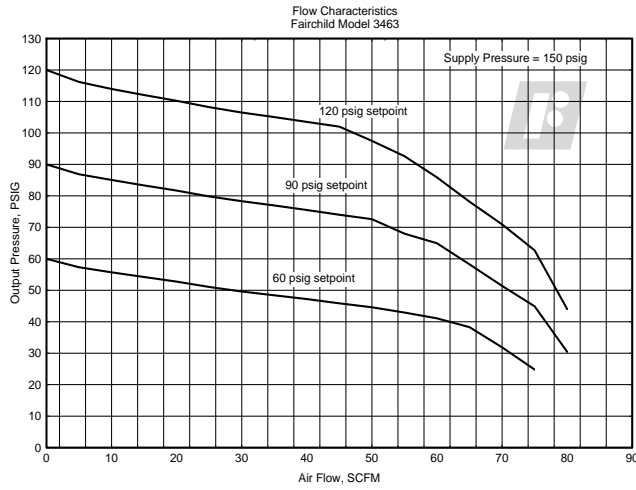
Operating Principles

The Model 3400 Lever Operated Regulator is designed to allow rapid changes in pressure settings at control stations and test panels. This high quality unit, capable of handling high flows and exhausts combines positive control with good sensitivity.

The Model 3400 is recommended for use in systems requiring the execution of linear pressure features such as the control of a throttle in an engine or engine room. The regulator is the logical choice for rapid, "hands on" control in a variety of applications, including construction machinery, industrial and oil rig equipment, and cylinder operation.



Technical Information



Specifications

Supply Pressure

250 psig, [17.0 BAR], (1700 kPa) Maximum

Flow Capacity

50 SCFM (85 m³/HR) @ (100 psig, [7.0 BAR], (700 kPa) supply, 20 psig, [1.5 BAR], (150 kpa) setpoint

Exhaust Capacity

8 SCFM (13.6 m³/HR) for downstream pressure 5 psig, [.35 BAR], (35 kPa) above set pressure

Effect of Supply Pressure Variation

Less than 0.1 psig, [.007 BAR], (.7 kPa) per 100 psig, [7.0 BAR], (700 kPa) change

Sensitivity

0.5" (1.27 cm) Water Column

Ambient Temperature Limits

-40°F to +200°F, (-40°C to + 93.3°C)

Mounting

Panel

Materials of Construction

Body.....Zinc
DiaphragmsBuna N and Dacron
TrimZinc Plated Steel and Plastic

Catalog Information

Catalog Number

3 4

Pressure Range

psig [BAR] (kPa)

0.5-10 [0.035-0.7] (3.5-700)

0.5-30 [0.035-2] (3.5-200)

1-60 [0.07-4] (7-400)

2-150 [0.15-10] (15-1000)

Pipe Size

1/4" NPT

3/8" NPT

Service Kit

A Service Kit is available for the Model 3400. Refer to the *Fairchild Model 3400 Installation, Operation and Maintenance Instructions*, IS-10003400.