

**3575 SERIES AIR SERVICE UNITS  
FILTERS**



- Specifically designed for Severe Offshore Environments
- 25 micron element
- Easy Installation, Repair and Replacement
- Ambient Temperature Range -20°C to +80°C  
(Low temperature version -50°C)
- 316 Stainless Steel Construction
- Large flow paths minimise pressure drop

**General Description**

A 316 Stainless Steel compressed air filter, designed to provide clean air for offshore and allied industries.

**Ambient temperature range**

- Standard: -20°C to +80°C (-4°F to +176°F)
- Low Temp: -50°C (-58°F) (optional)

**Working Pressure**

- Manual drain 20 bar (290psi)
- Automatic drain 17 bar (247psi)

**Bowl Retention Capacity**

- 21cc (1.28 cu ins)

**Cv (Kv)**

- 2" - 45 Cv

**Maximum Flow**

- 6 bar (87 psi), 1 bar (14.5 psi) differential
- 2" - 45000 L/Min (1590 SCFM)

**Ports NPT (BSP option available)**

- 2", 1½"

**Automatic Drain Port**

- 1/8" NPT (Fitted with bug screen)

**Ingress Protection**

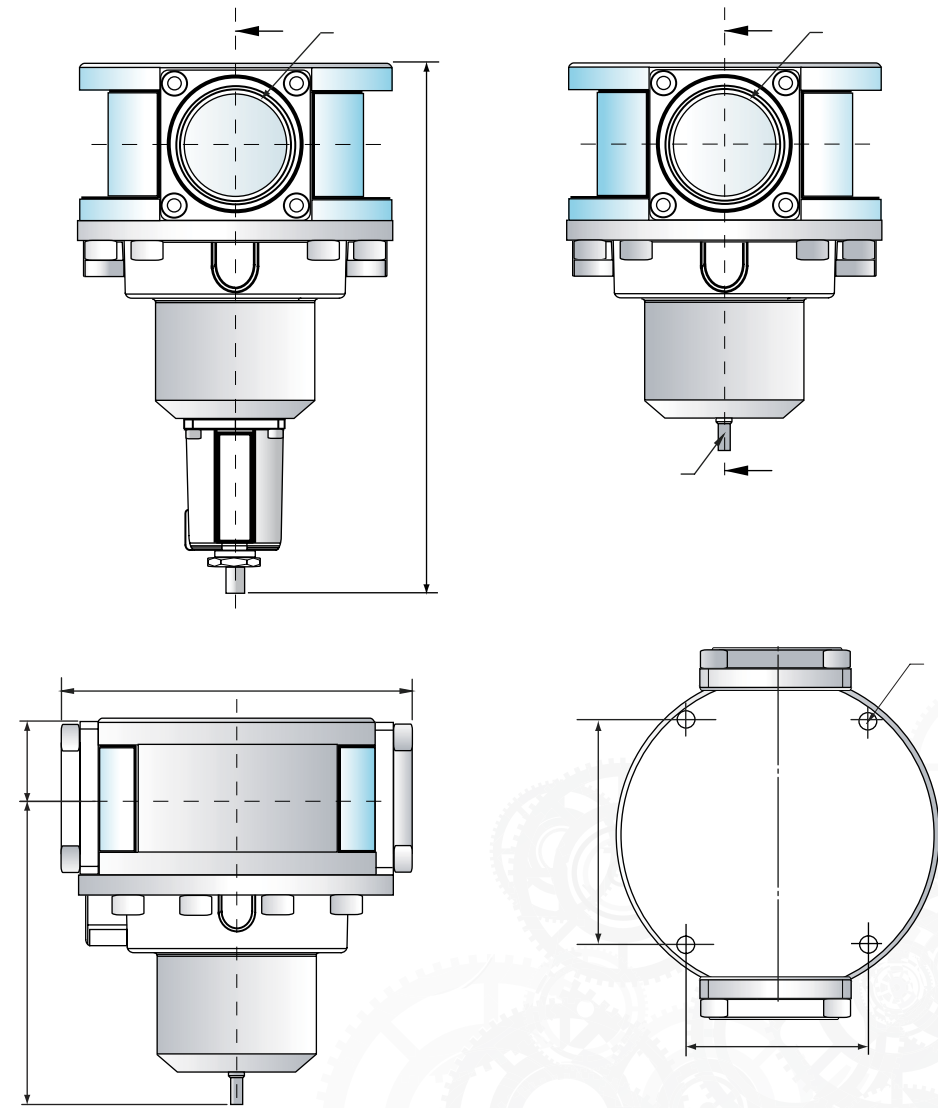
- IP65 when fitted with optional vent port filter

**Preferred Models**

7FLMSN202	1½" filter with manual drain
7FLASN172	1½" filter with automatic drain
9FLMSN202	2" filter with manual drain
9FLASN172	2" filter with automatic drain

For BSPP replace 2 in position 9 with 1

**3575 SERIES AIR SERVICE UNITS  
FILTERS**



Filter with manual drain



Filter with automatic drain



- Working Pressure ..... 20/17 bar
- Working Temperature ..... -20 to +80°C
- Filter Element ..... 25 Micron
- Weight ..... 8.7 kg