

Mark 96 Series

CRN Registration Number Available

Sanitary Pressure Regulators

The Mark 96 Sanitary Pressure Regulator is designed to regulate pressure in systems requiring the maintenance of sanitary conditions.

The Mark 96 operates by sensing pressure under the diaphragm on the downstream side of the seat. As the downstream pressure approaches the set point, the force caused by the pressure acting on the diaphragm overcomes the force of the range spring, and the plug begins to move up toward closed. This reduces the downstream pressure and maintains the set point. If the pressure underneath the diaphragm begins to fall, the spring forces the plug to move down towards open, to allow the set point to be maintained.

FEATURES

- CRN Registration Number Available
- Soft seat capability for ANSI Class VI shutoff
- No guiding surfaces in the fluid – prevents particulate generation
- 100% 316L barstock body – no wetted parts made from forgings or castings
- Self-draining
- No threads in contact with service media – prevents accumulation of contaminants
- Easy to disassemble for cleaning
- Clean-in-Place, Steam-in-Place – dome lock pin to allow CIP/SIP
- Jorlon diaphragm: PTFE based material provides excellent chemical resistance and extremely long life in steam service. Far superior to other elastomer or metal diaphragm materials. *Ask your local Representative for cycle testing information.*

DOCUMENTATION

The following documentation is shipped with each order:

- Steriflow Unicert
 - Traceable Material Heat Number for body and ferrels
 - Certificate of Compliance to FDA and USP Class VI
- Certificate of Surface Finish
- Final Test Reports and Certificate of Origin available upon request at time of order



AVAILABLE FINISHES

Body

- *Standard:* 20 Ra μm (0,5 Ra μm) (ASME BPE 2009 SF5) mechanical finish and electropolish on inside wetted surfaces; machine finish and electropolish on exterior.
- *Optional:* 20 Ra μm (0,5 Ra μm) SF5 mechanical finish and electropolish on external surfaces; 8 Ra μm (0,2 Ra μm) finish on internal or external finishes and electropolish (Better than SF4)

Spring Housing and Handle

- *Standard:* machine finished 316SST, electropolished
- *Optional:* 20 Ra μm (0,5 Ra μm) mechanical finish and electropolish on external surfaces (SF5). 8 Ra μm (0,2 Ra μm) finish on external surfaces on all sizes and electropolish. (Better than SF4)

Adjusting Screw

- *Standard:* 32Ra μm electropolished (Note: adjusting screw is a threaded part)
- *Optional:* 20 Ra μm (0,5 Ra μm) mechanical finish and electropolish finish (SF5)

APPLICATIONS

A wide variety of applications exist for the MK96 in the pharmaceutical, biotech, health-care, food & beverage and other industries.



Steriflow by Jordan Valve

3170 Wasson Road • Cincinnati, OH 45209
513.533.5600 • 800.543.7311 • 513.871.0105 (f)
steriflow@richardsind.com • www.steriflowvalve.com

SPECIFICATIONS – O-RING DIAPHRAGM

Sizes: 3/4" (DN20), 1" (DN25), 1-1/2" (DN40), 2" (DN50), 3" (DN80)

End Connections

- Quick disconnect fittings (*to match Tri-Clamp® fitting*)
- DIN/ISO sanitary connections

Body Connections: Mark 96 – Bolted – Standard for all sizes

Body & Trim Materials: 316L Stainless Steel (ASTM A479)

Seat Materials

- Standard hard seat – integral 316L SST seat
- Optional soft seat
 - Jorlon (for Cv 1.5, 1" size and above) (FDA & USP Class VI) for steam and hot fluid service to 338°F (170°C)
 - PEEK (up to 1-1/2") (FDA & USP Class VI) for steam and hot fluid service to 350° (177°C)
 - Teflon (FDA & USP Class VI) to 150° (65°C)

Note: consult factory for 3/4" soft seat materials

Spring Housing Materials

- CF8M cast SST (3/4" – 1")
- Fabricated 316L SST (1-1/2" – 3")
- Optional Anodized Aluminum (1-1/2" – 3")

Diaphragm Materials

- 316L SST
- EPDM/Nylon (to 275°F, 135°C), FDA
- Teflon-coated Viton (to 400°F, 204°C) in 3/4" & 1" sizes only
- Jorlon (to 450°F, 232°C) – FDA, USP Class VI

O-Ring Materials

- EPDM (to 275°F, 135°C) – FDA, USP Class VI
- Buna-N (to 225°F, 107°C) – FDA, USP Class VI
- Viton (to 400°F, 232°C) – FDA, USP Class VI
- Silicone (to 450°F, 232°C) – FDA, USP Class VI
- Teflon-Encapsulated Viton (to 400°F, 204°C) – FDA, USP Class VI
- Teflon-Encapsulated Silicone (to 400°F, 204°C) – FDA, USP Class VI

Shutoff: ANSI Class III hard seat or Class VI soft seat

Body Pressure Temperature Rating: (dependent upon construction)

Valve Size	PSIG @ 100°F	PSIG @ 450°F
3/4" & 1"	350 (24,1 bar)	250 (17,2 bar)
1-1/2" , 2" , & 3"	200 (13,8 bar)	200 (13,8 bar)

Note: for 1/2" size, refer to our Mark 96C datasheet

Set Point Spring Ranges

Valve Size	Set Point Ranges, PSI (bar)
3/4" & 1"	2-8* (0,1-0,5), 5-25 (0,37-1,7), 15-50 (1,0-3,4), 40-90 (2,7-6,2), or 75-135 (5,2-9,3)
1-1/2"	10-25 (0,7-1,7), 15-50 (1,0-3,4) or 35-100 (2,4-6,9)
2"	10-25 (0,7-1,7) or 15-60 (1,0-4,1)
3"	15-25 (1,0-1,7) or 15-60 (1,0-4,1)

* Range available with elastomer diaphragm only. Maximum pressure drop 40 psi.

Cv (Kv) Ratings:

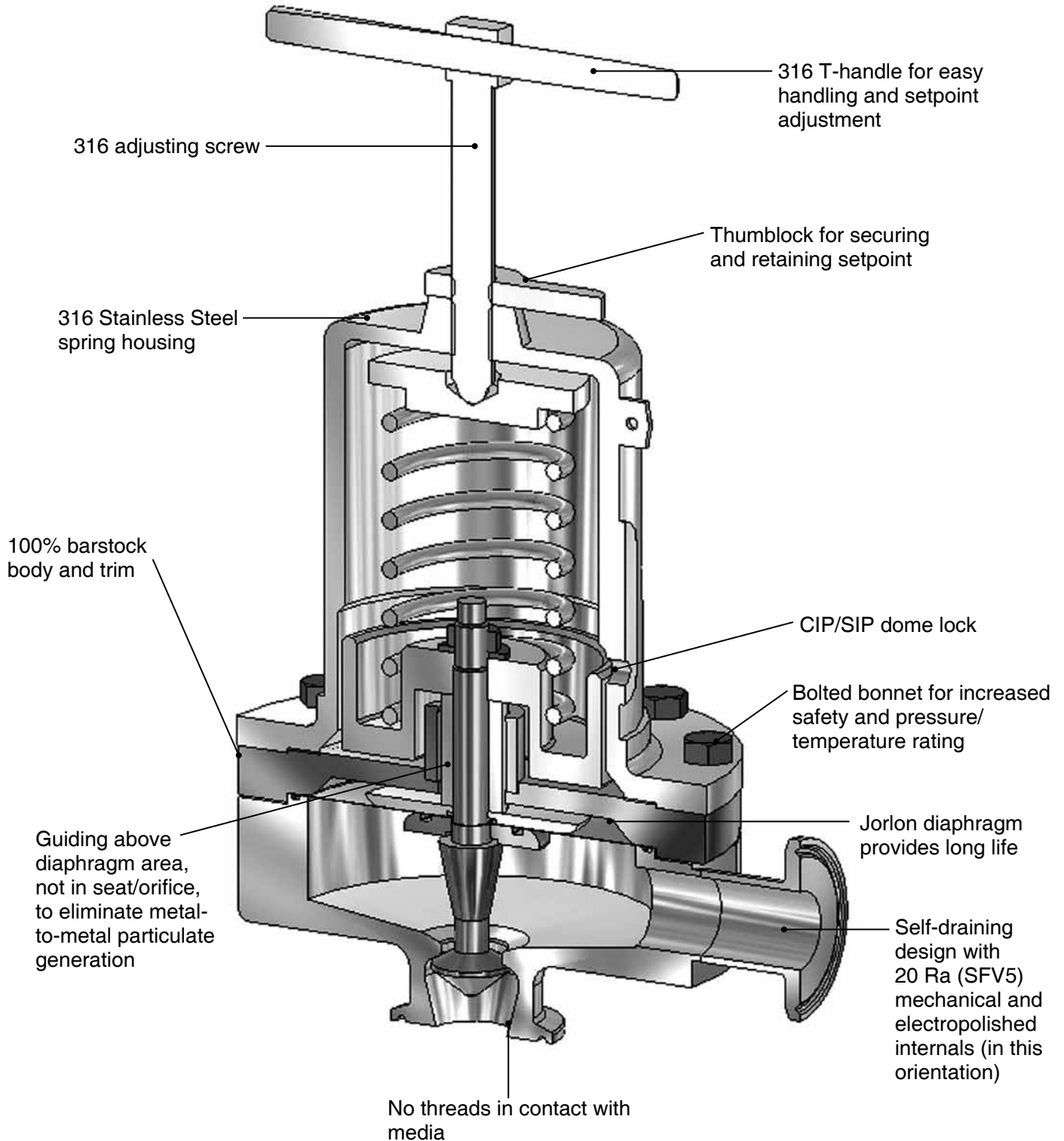
Valve Size	Available Cvs (Kvs)	Cv for Relief Valve Sizing
3/4"	1.5 (1,3)	3.8
1"	1.5, 2.5, 4.5, 5.5**, 6.1** (1,3; 2,2; 3,9; 4,7; 5,3)	10.7
1-1/2"	4.5 or 10.0 (3,9 or 8,6)	26.3 (1,19); 6.7 (0,58)
2"	10.0 or 19.0 (8,6 or 16,3)	56.5 (1,68), 16.5 (0,90)
3"	10.0 or 23.0 (8,6 or 19,8)	67.1 (1,83); 16.5 (0,90)

** Not available with metal diaphragms, Jorlon and other elastomers acceptable

Maximum Allowable Pressure Differential: 200 psi (2-8 spring range has a max of 40 psi)

Note: Steriflow does not recommend using metal seated trim on any service where the flow will be deadheaded downstream of the pressure reducing regulator. Use an appropriate Teflon, Jorlon or Peek soft seat for the trim instead.

FEATURES & BENEFITS

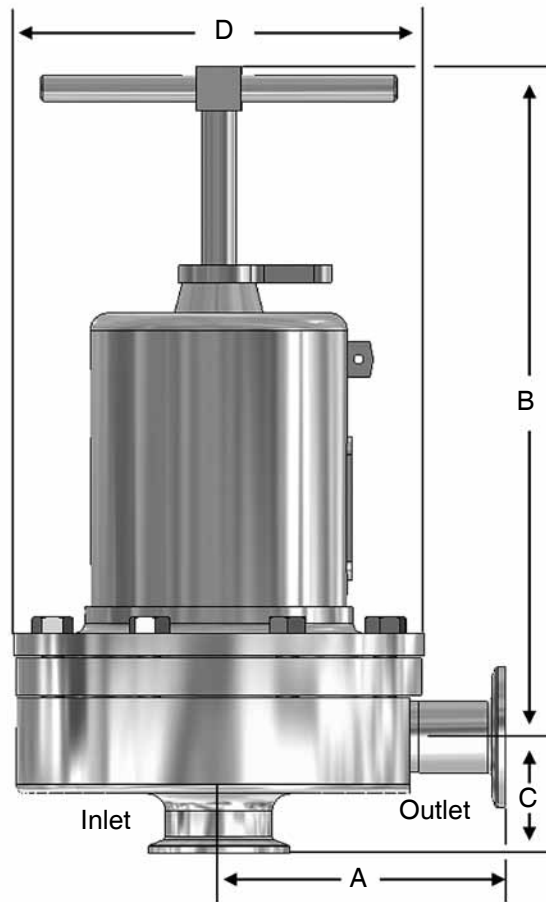


CAPACITY Cv AT VARIOUS DROOP %

Mark 96	Set Pressure PSIG	7					Cv for Relief Valve Sizing
		5%	10%	15%	20%	30%	
3/4" 1.5 Cv 15 to 50 psi range	15	0.10	0.20	0.31	0.42	0.65	3.8
	20	0.12	0.26	0.39	0.54	0.83	
	25	0.15	0.31	0.47	0.64	1.01	
	30	0.18	0.36	0.55	0.75	1.17	
	35	0.20	0.41	0.63	0.85	1.34	
	40	0.22	0.46	0.70	0.96	1.50	
	45	0.25	0.51	0.77	1.06	1.50	
1" 4.5 Cv 15 to 50 psi range	15	0.30	0.61	0.93	1.26	1.95	10.7
	20	0.37	0.77	1.18	1.61	2.50	
	25	0.46	0.93	1.42	1.93	3.02	
	30	0.53	1.08	1.65	2.25	3.52	
	35	0.60	1.23	1.88	2.56	4.02	
	40	0.67	1.37	2.10	2.87	4.50	
	45	0.74	1.52	2.32	3.18	4.50	
1-1/2" 10 Cv 15 to 50 psi range	15	0.59	1.20	1.85	2.54	4.05	26.3
	20	0.66	1.36	2.10	2.91	4.68	
	25	0.72	1.48	2.30	3.19	5.16	
	30	0.77	1.57	2.45	3.40	5.55	
	35	0.80	1.65	2.57	3.58	5.86	
	40	0.83	1.71	2.67	3.73	6.13	
	45	0.86	1.76	2.75	3.85	6.35	
2" 19 Cv 15 to 60 psi range	15	1.89	3.85	5.84	7.87	12.02	56.5
	20	2.66	5.40	8.19	11.04	16.88	
	25	3.48	7.08	10.73	14.46	19.00	
	30	4.41	8.91	13.47	18.17	19.00	
	35	5.37	10.92	16.52	19.00		
	40	6.45	13.16	19.00			
	45	7.77	15.68	19.00			
3" 23 Cv 15 to 60 psi range	15	1.93	3.89	5.89	7.94	12.13	67.1
	20	2.68	5.45	8.26	11.14	17.03	
	25	3.51	7.14	10.82	14.59	22.28	
	30	4.41	8.99	13.61	18.32	23.00	
	35	5.42	11.02	16.67	22.42	23.00	
	40	6.50	13.28	20.05	23.00		
	45	7.81	15.82	23.00			
50	9.31	18.70	23.00				

Note: for capacity Cv and performance at other conditions, please visit the Technical Library on our website at www.steriflowvalve.com

DIMENSIONS



Valve Size	Dimensions (inches)				Weight Lbs
	A	B	C	D	
3/4"	3.29	8.00	1.50	5.70	18
1"	4.00	8.00	1.64	5.70	20
1-1/2"	4.21	10.50	2.53	7.25	40/28.7*
2"	5.34	17.50	2.96	9.50	90/66**
3"	5.34	18.00	3.46	9.50	98

Valve Size	Dimensions (mm)				Weight Kgs
	A	B	C	D	
DN20	84	203	38,1	145	8,1
DN25	102	203	41,7	145	9,1
DN40	107	267	64,3	184	18/13*
DN50	136	445	75,2	241	41/30**
DN80	136	457	87,9	241	44,4

* 40 lbs (18,1 kgs) standard; 28.7 lbs (13 kgs) with aluminum spring housing

** 90 lbs (40,7 kgs) standard; 66 lbs (33 kgs) with aluminum spring housing

SAMPLE SPECIFICATION

Stainless steel sanitary pressure regulator shall be made from ASME-SA479 barstock material, which includes body and all wetted metal parts. Regulator shall be activated by FDA approved, USP Class VI certified Jorlon diaphragm. Guiding of valve stem/plug shall be outside of the wetted, process areas of valve internal, above diaphragm. Regulator shall be free of threads within wetted, process areas of valve internal and shall be self draining when installed with inlet vertical and below valve assembly.

ORDERING SCHEMATIC

1	—	2	—	3	/	4	5	6	7	8	9	10	11	12
---	---	---	---	---	---	---	---	---	---	---	---	----	----	----

1	Model
96	Standard

2	Size
075	3/4"
100	1"
150	1-1/2"
200	2"
300	3"

3	Body Material
6L	316L

4	Body Finish
A	20Ra (SFV5) Interior/63RMS Exterior (Std)
B	20Ra (SFV5) Interior/20Ra Exterior
C	8Ra Interior/63RMS Exterior*
D	20Ra (SFV5) Interior/8Ra Exterior
E	8Ra Interior/8Ra Exterior*
F	8Ra Interior/20Ra Exterior*

* Handle and all external surfaces meet spec per above. The adjusting screw is a threaded part and cannot be polished beyond 20Ra

5	Body Cv (Kv) See chart on page 2	
	Cv	Kv
A	1.5	1,3
D	2.5	2,2
H	4.5	3,9
K	5.5 & 6.1	4,7 & 5,3
M	10.0	8,6
N	19.0	16,3
P	23.0	17,8*

6	Trim Finish
A	20Ra (Standard)
B	8Ra

7	Trim – Cv (Kv) & Seat			
A	1.5 (1,3)	Hard Seat	N	5.5 (4,7) Jorlon Seat
2	1.5 (1,3)	Jorlon Seat	P	10 (8,6) Hard Seat
B	2.5 (2,2)	Hard Seat	Q	10 (8,6) Teflon Seat
C	2.5 (2,2)	Teflon Seat	R	10 (8,6) Jorlon Seat
D	2.5 (2,2)	Jorlon Seat	S	19 (16,3) Hard Seat
H	4.5 (3,9)	Hard Seat	T	19 (16,3) Teflon Seat
J	4.5 (3,9)	Teflon Seat	U	19 (16,3) Jorlon Seat
K	4.5 (3,9)	Jorlon Seat	V	23 (19,8) Hard Seat
L	5.5 (4,7)	Hard Seat	W	23 (19,8) Teflon Seat
M	5.5 (4,7)	Teflon Seat	X	23 (19,8) Jorlon Seat
7	6.1 (5,3)	Hard Seat		

8	O-Ring/Diaphragm
BU	Buna-N/SST Diaphragm
EE	EPDM/EPDM Diaphragm
EP	EPDM/SST Diaphragm
SL	Silicone/SST Diaphragm
TS	Teflon Encaps. Silicone/SST Diaphragm
TT	Teflon Encaps. Viton/TFE Diaphragm
TY	Teflon Encaps. Viton/Jorlon Diaphragm
TV	Teflon Encaps. Viton/SST Diaphragm
VT	Viton/SST Diaphragm

9	Adjusting Screw Finish (Except Threads)
A	Electro-polished (Standard)
B	20Ra (SFV5)
C	8Ra

10	Range PSI (Bar) see chart on page 2
A	2 - 8 (0,1 - 0,6)
C	5 - 25 (0,3 - 1,7)
E	10 - 25 (0,7 - 1,7)
P	15 - 25 (1,0 - 1,7)
H	15 - 50 (1,0 - 3,4)
J	15 - 60 (1,0 - 4,1)
M	35 - 100 (2,4 - 6,9)
R	40 - 90 (2,8 - 6,2)
T	75 - 135 (5,2 - 9,3)

11	Diaphragm
6L	SST (all exterior)
EP	EPDM (all exterior)
JL	Jorlon (all exterior)
TV	TFE-Viton (standard exterior)
BV	TFE-Viton (20Ra (SFV5) exterior)
DV	TFE-Viton (8Ra exterior)

12	Actuator Finish/Type
AA	Standard
BA	20Ra (SFV5) exterior
CA	8Ra exterior
DA	Electro-polished for 2" & 3"
EA	Anodized Aluminum (1-1/2" - 3")



Steriflow, a division of Jordan Valve

3170 Wasson Road • Cincinnati, OH 45209
 513.533.5600 • 800.543.7311 • 513.871.0105 (f)
 steriflow@richardsind.com • www.steriflowvalve.com

Steriflow Valve reserves the right to make revisions to its product, specifications, literature and related information without notice. Please visit our website at www.steriflowvalve.com for the latest information on our products.